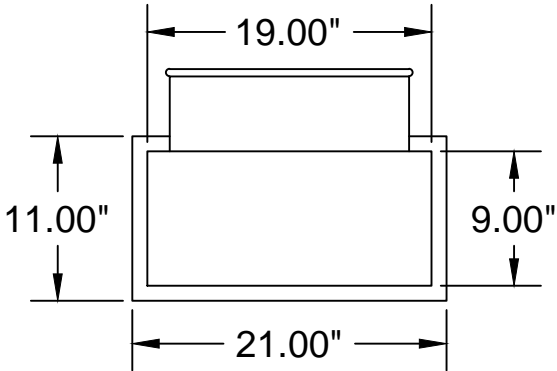
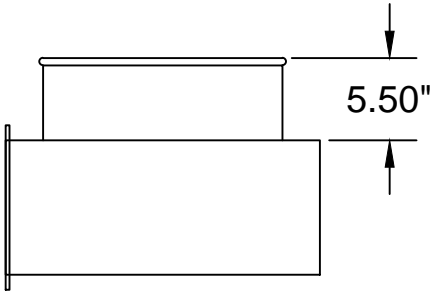


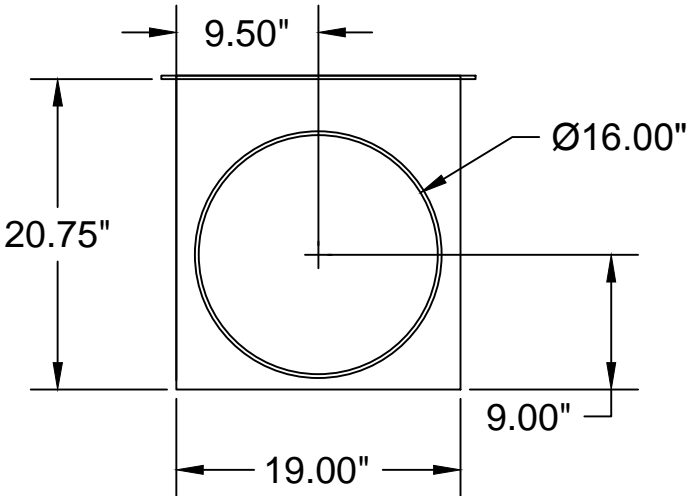
# Kiffer SO21442 Plasma Table Plenum Box



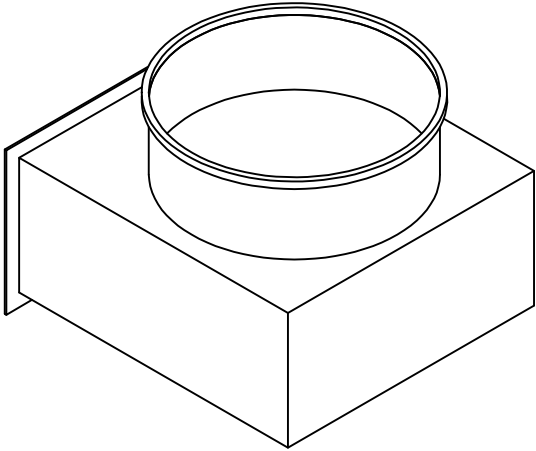
Front View



Side View



Top View



Isometric View

Avani Environmental Intl. Inc. 95 Cypress Drive Youngsville, NC 27596 P# 919-488-2862 F# 919-488-2863	
<b>Project: Kiffer SO21442</b>	
<b>Drawing: Plasma Table Plenum Box</b>	
<b>Date: 6/13/14</b>	<b>Drawn by: MDT</b>
<b>Sheet No: 1 OF 1</b>	<b>Rev: 0</b>