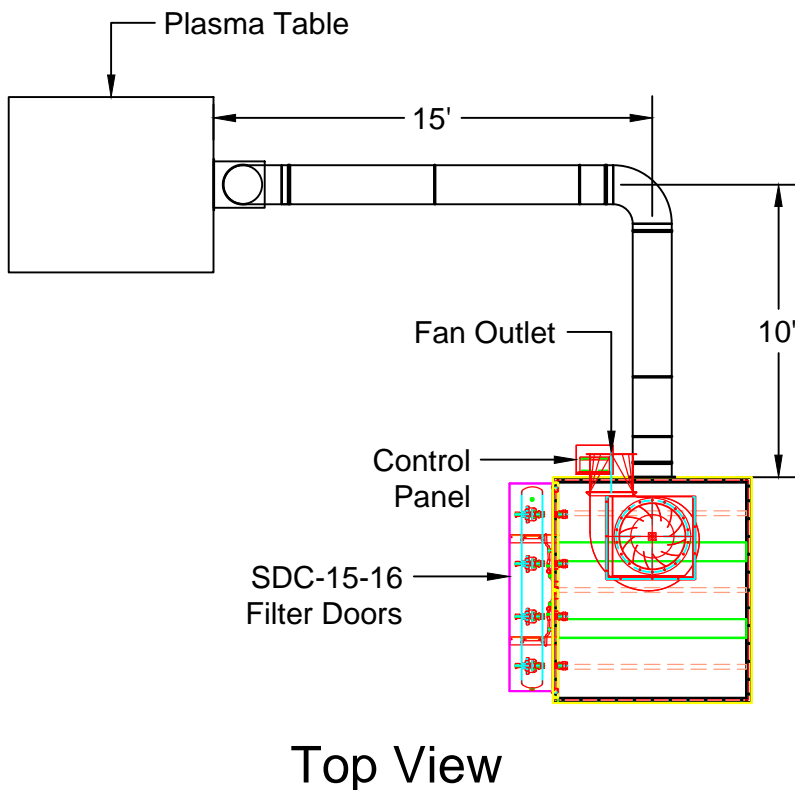
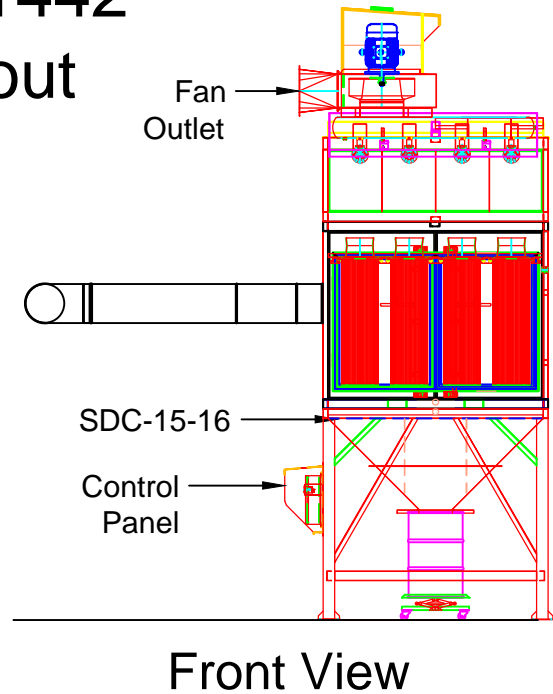
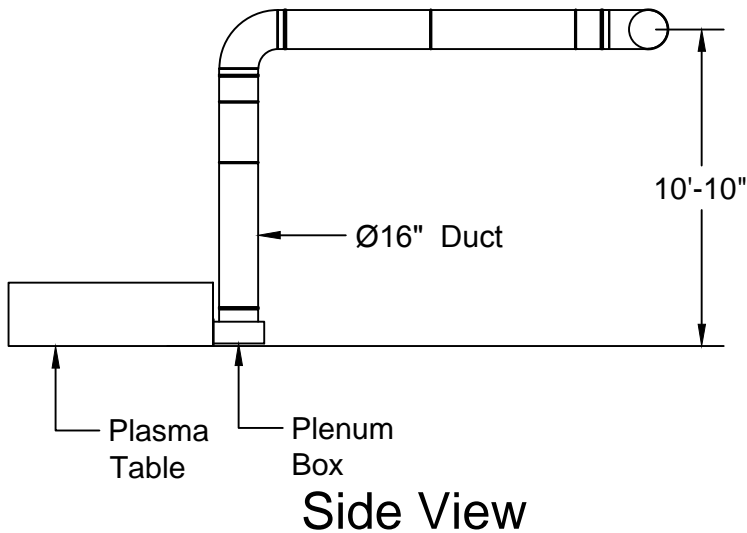


Kiffer SO21442 Duct Layout



Notes:

1. Duct to connect to (1) plasma table
2. Duct to be supported from ceiling
3. Avani Environmental standard installation crew is quoted out per day based on the above drawings and approvals. Any changes, modifications, downtime, or inability to perform our work above and beyond the control of Avani Environmental will charge an additional \$1,000 per work day (5 or more hours) per crew above what was initially quoted.

Avani Environmental Intl. Inc.
95 Cypress Drive
Youngsville, NC 27596
P# 919-488-2862 F# 919-488-2863

Avani

Project: Kiffer SO21442	
Drawing: Approval Drawing	
Date: 6/13/14	Drawn by: MDT
Sheet No: 1 OF 1	Rev: 1