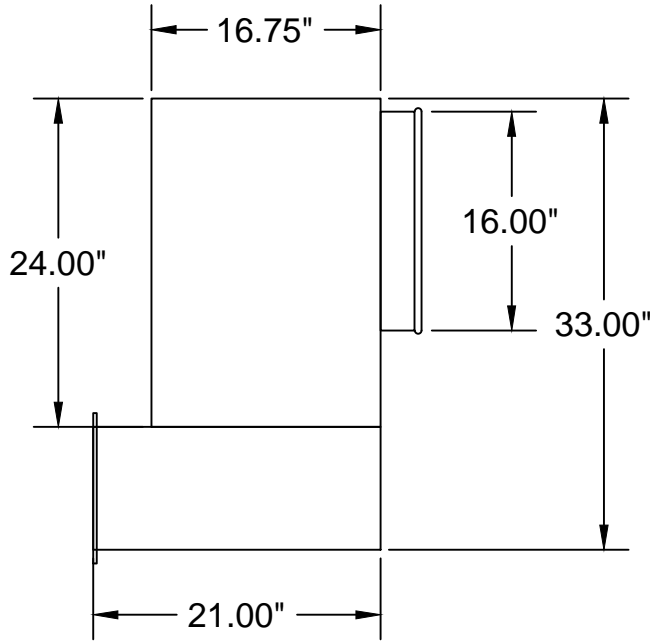
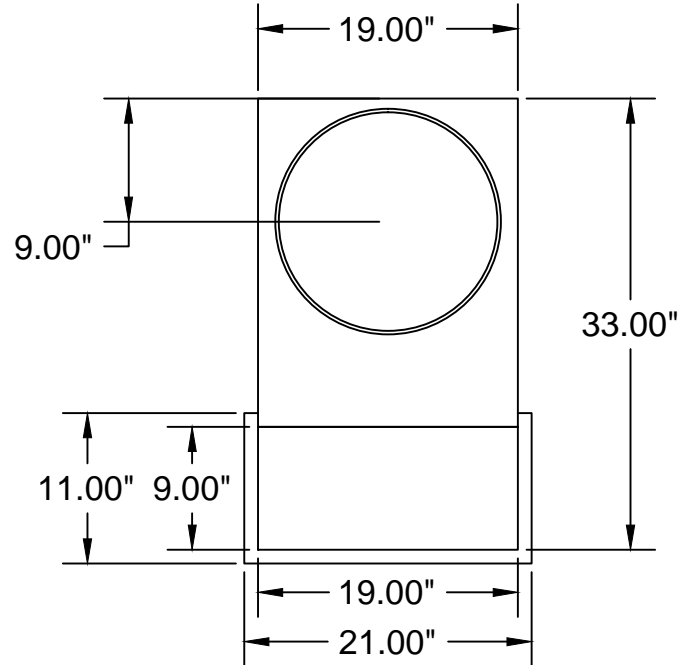


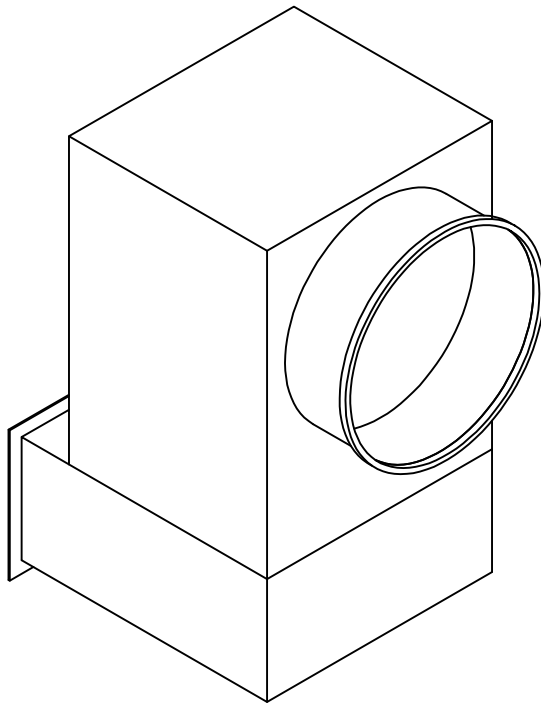
# Kiffer SO21497 Plasma Table Plenum Box



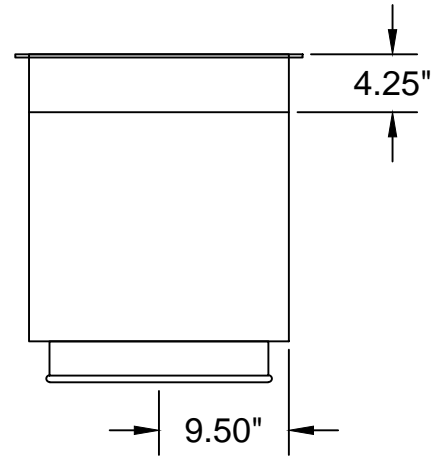
Side View



Front View



Isometric View



Top View

Avani Environmental Intl. Inc.  
95 Cypress Drive  
Youngsville, NC 27596  
P# 919-488-2862 F# 919-488-2863

Avani

**Project: Kiffer SO21442/21497**

**Drawing: Plasma Table Plenum Box**

**Date: 6/13/14**

**Drawn by: MDT**

**Sheet No: 1 OF 1**

**Rev: 0**