



Revisions			
Rev	Description	Date	Approved

WB-1055 WELDING BOOTH SPECIFICATIONS

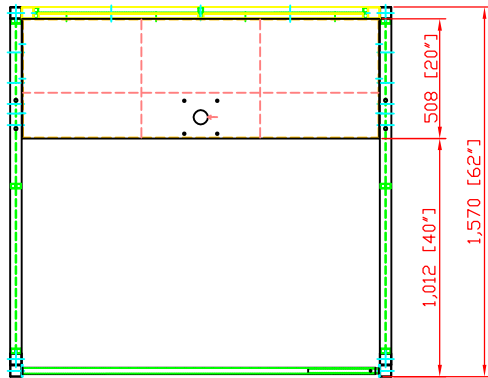
Standard

- * Panel Construction: 12 Gauge welded steel
- * Three piece construction (2) side panels (1) back panel
- * 2" Square Frame - 11 gauge
- * 1" Square stock support - 11 gauge
- * Fixed rear shelf: 60"W x 20"D with 2" Hole (located as per drawing)
- * Walk-in booth
- * Powder coated Avani Blue
- * Adjustable feet with mounting plate
- * Welding curtain rod

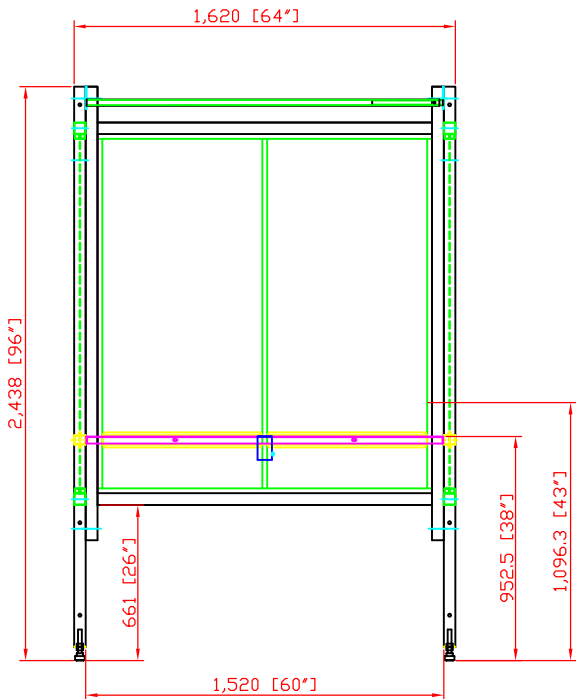
Note: Booths can be mounted back to back and/or side to side and based on configuration will share common panels.

Options Available

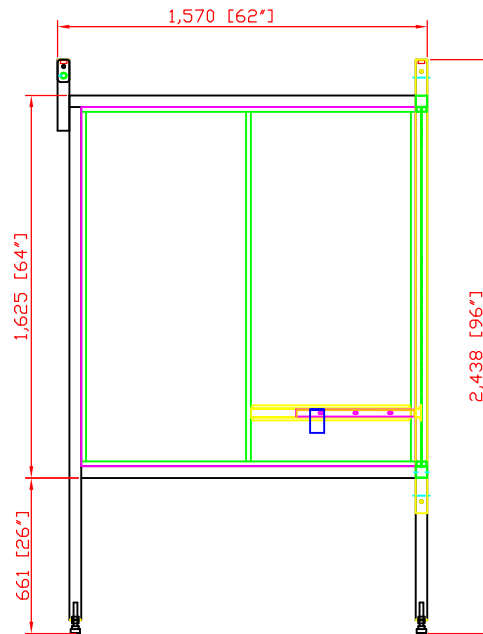
Top



Front



Side



PRELIMINARY

AVANI ENVIRONMENTAL INTL. INC. Sales Department 95 Cypress Drive Youngsville, NC 27596 (919) 570-2862 info@avanienvironmental.com	Date 2015-06-17	Name ***	Part Number: REVISION H	Title: WB-1055
	Drawn by:	Checked by:	Size A	Scale 1 = 25
	The drawings, AutoCAD, 3-D Models, and specifications are the property of Avani Environmental Intl. Inc. (AE) and may not be reproduced, distributed, modified, or otherwise used, except provided herein, without the express written permission of AE.			Drawing Number: DN-WB1055S-00