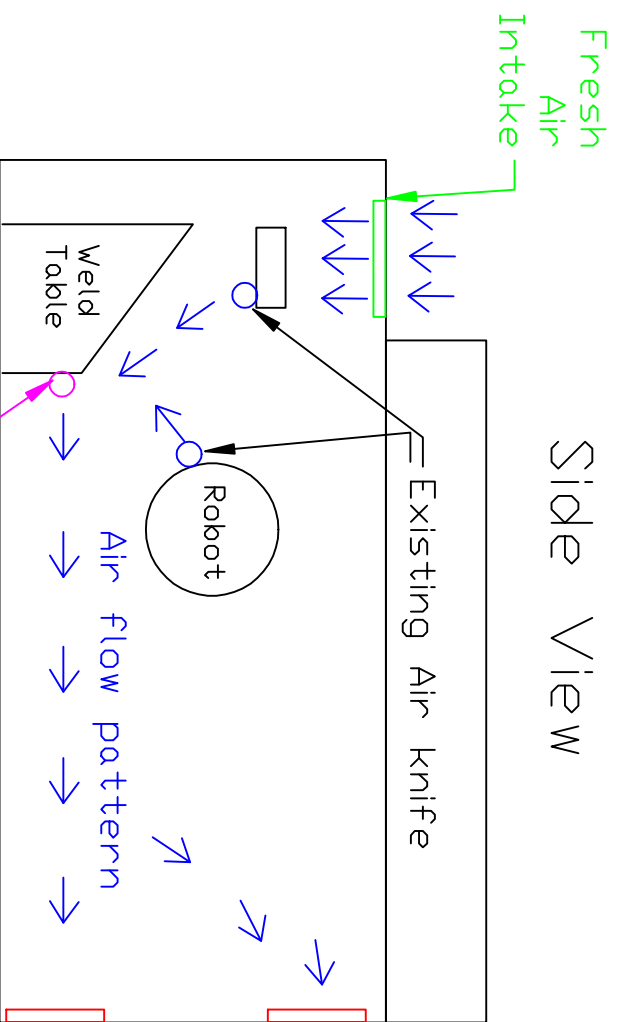


Robotic Cell Airflow details

Side View



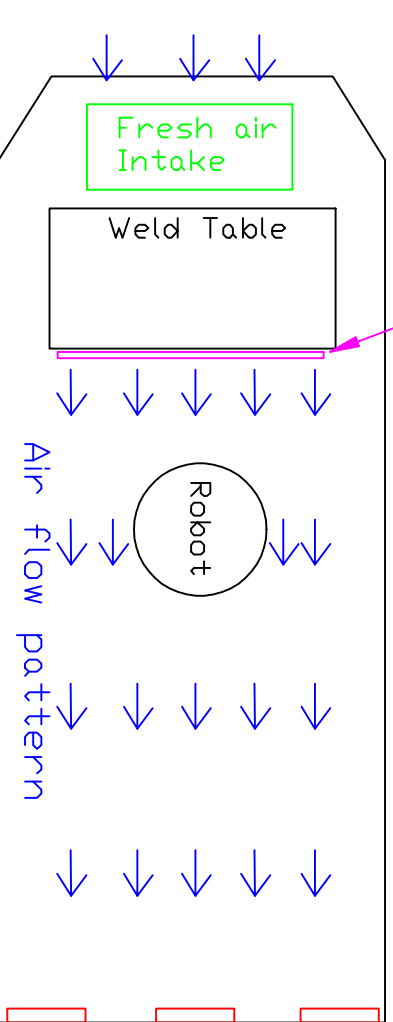
Pick up Points (one above door and two in the floor).

To Dust collector

To Dust collector

- Notes:
- A) Dust collector 7500 CFM
 - B) Roll media before dust collector to capture oily smoke
 - C) Spark Eliminator before collector to eliminate sparks.

Plan View



Pick up Points (one above door and two in the floor).