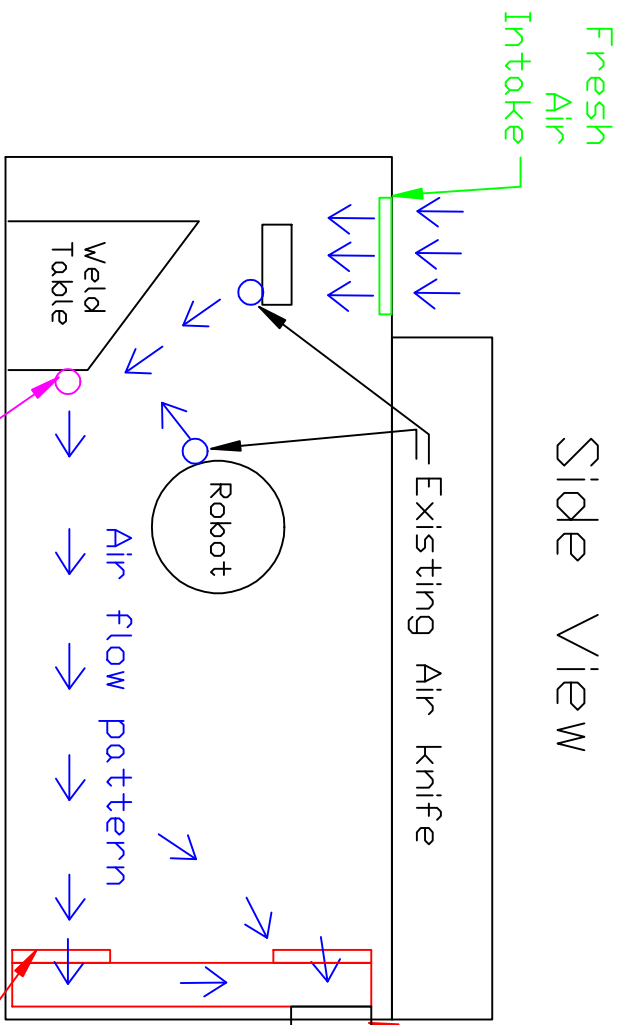


# Robotic Cell Airflow details

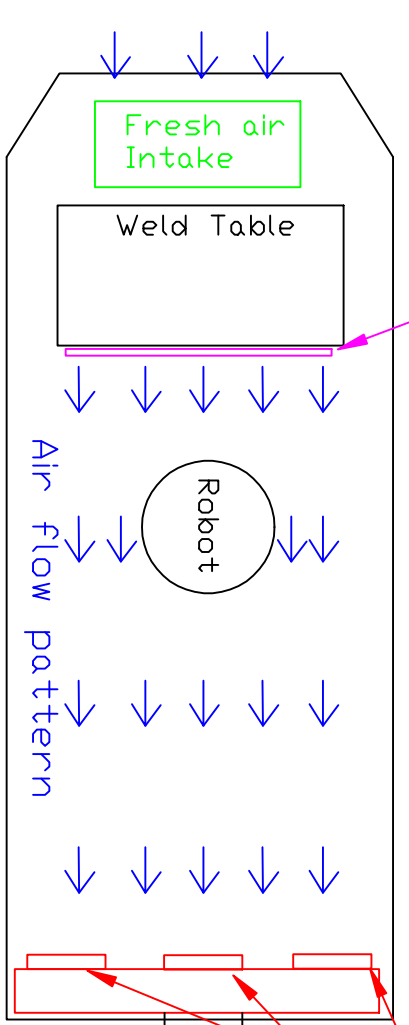
## Side View



Pick up Points (one above door and two in the floor).

- Notes:
- A) Dust collector 7500 CFM
  - B) Roll media before dust collector to capture oily smoke
  - C) Spark Eliminator before collector to eliminate sparks.

## Plan View



Intake Grill on floor on each side of door

Intake Grill

Radius back elbow

16" diameter ductwork

16" diameter ductwork

to dust collector

Avani Environmental Intl. Inc.  
 95 Cypress Drive 27596  
 Youngsville, NC  
 # 919-570-2862 # 919-570-2863

**Avani**

Project: Johnson Controls  
 Drawing: Test cell layout  
 Date: 3/13/12 | Drawn by: RAV  
 Sheet No: 1 of 2