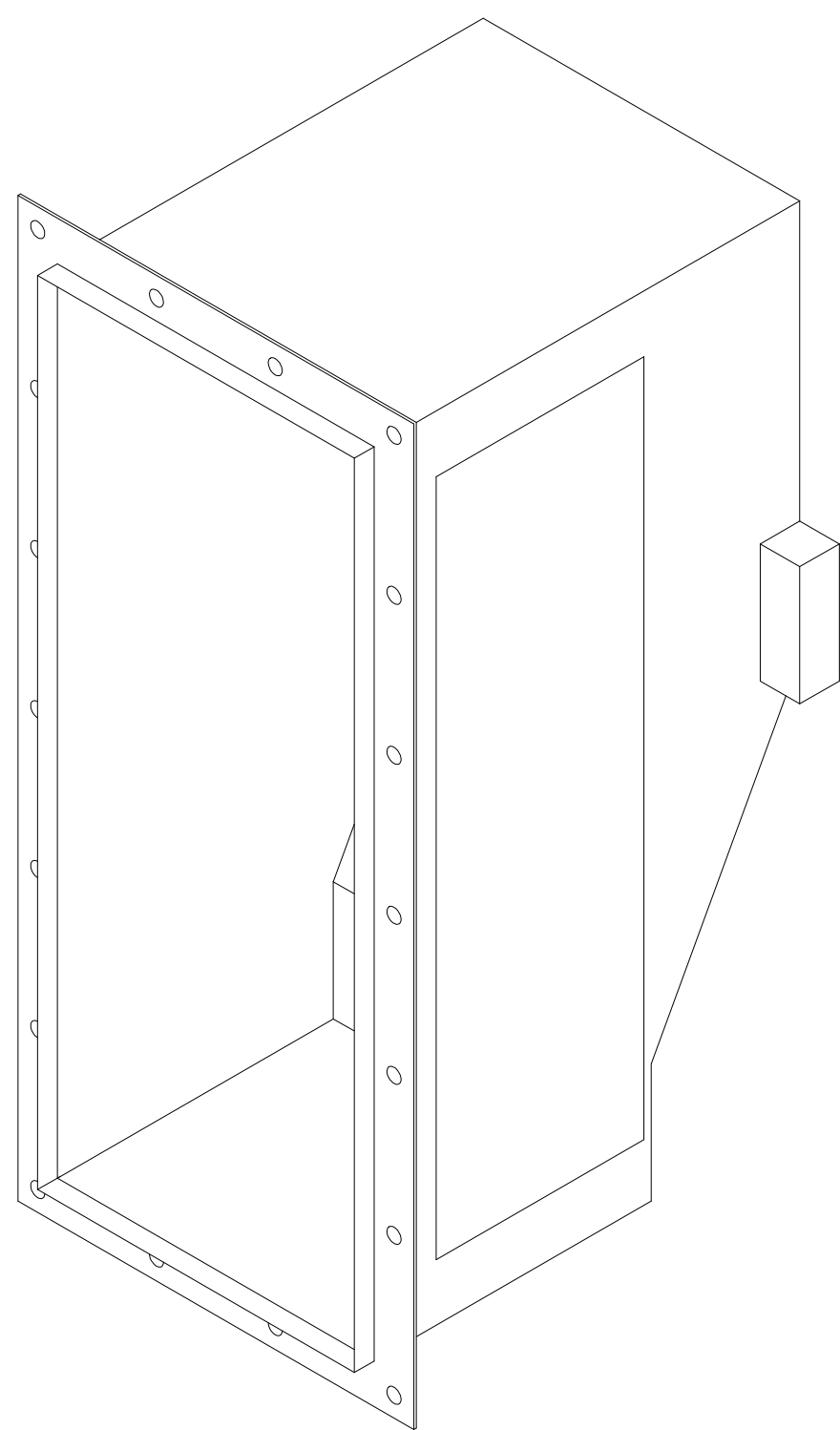
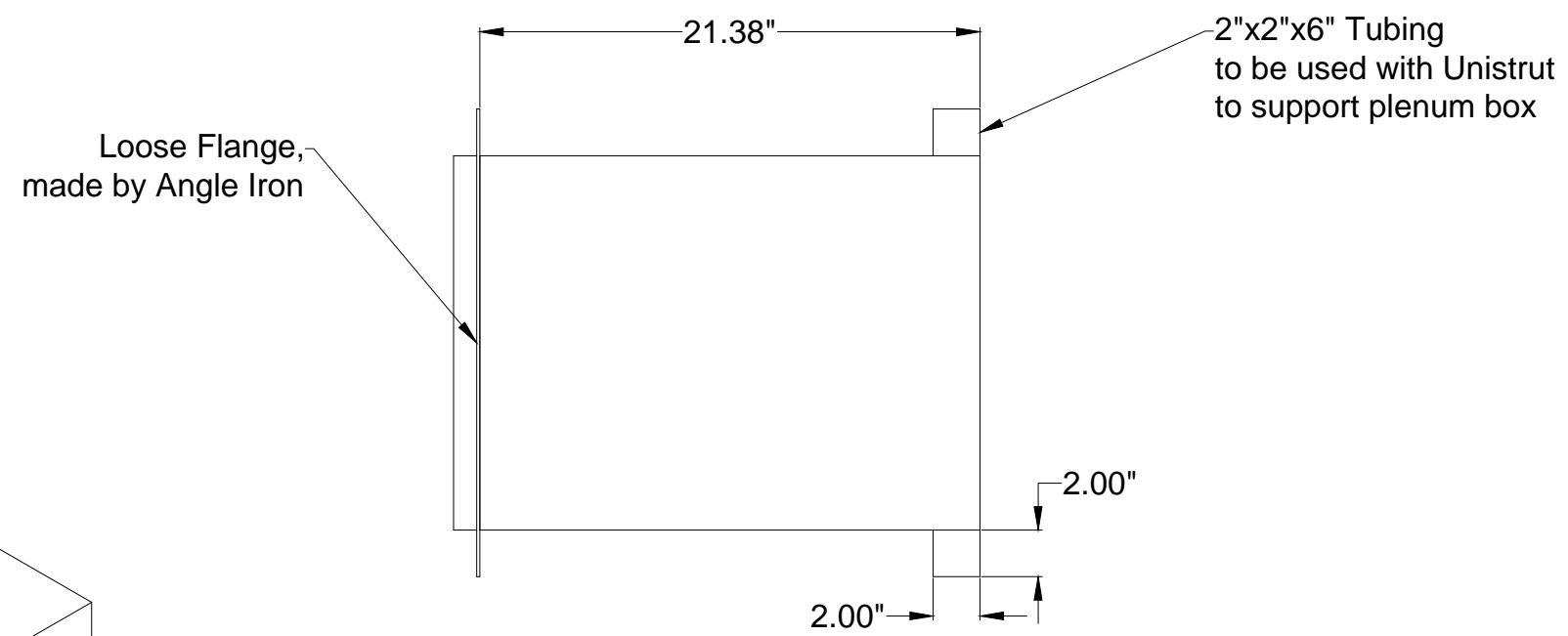


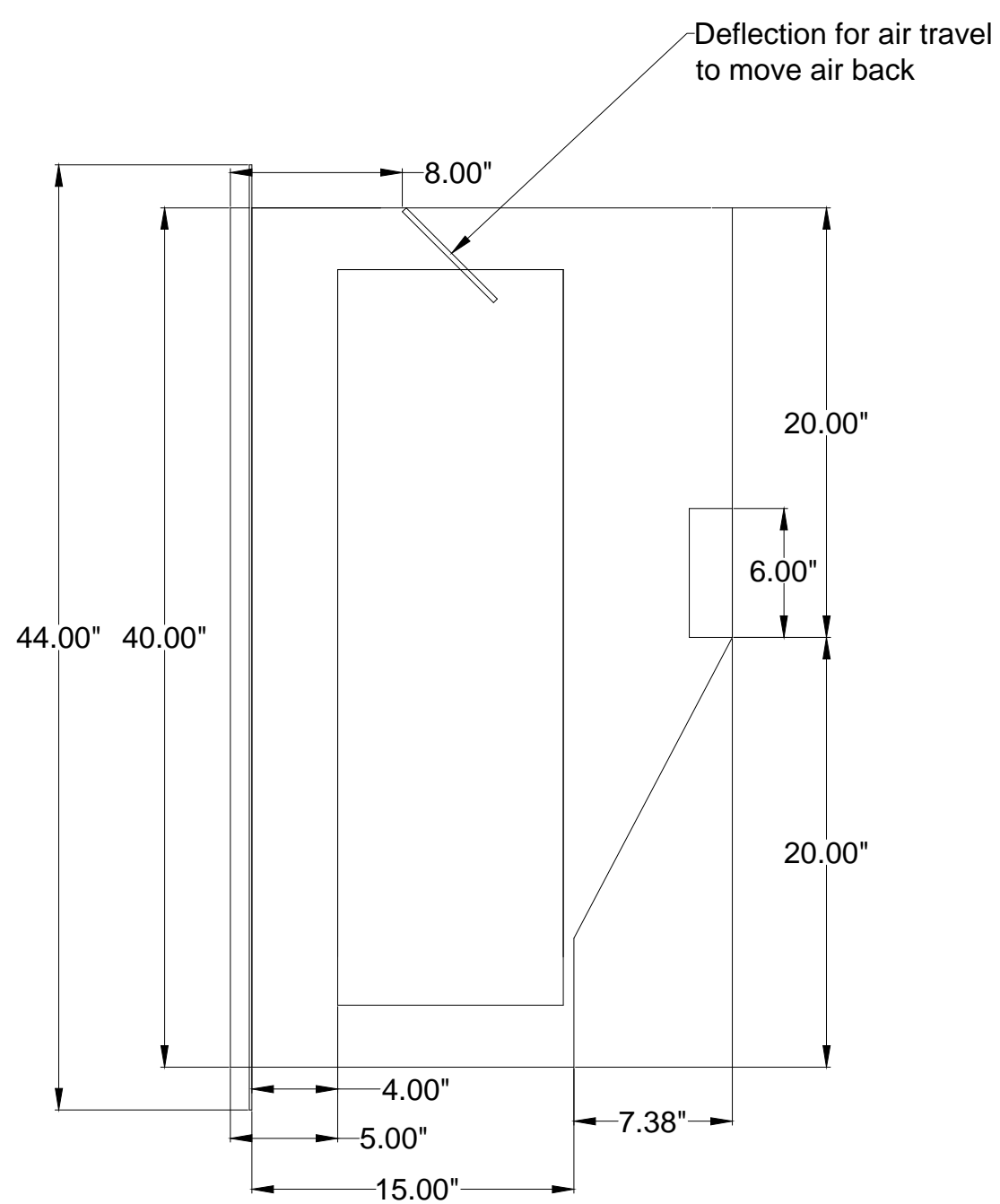
Johnson Controls Back Panel



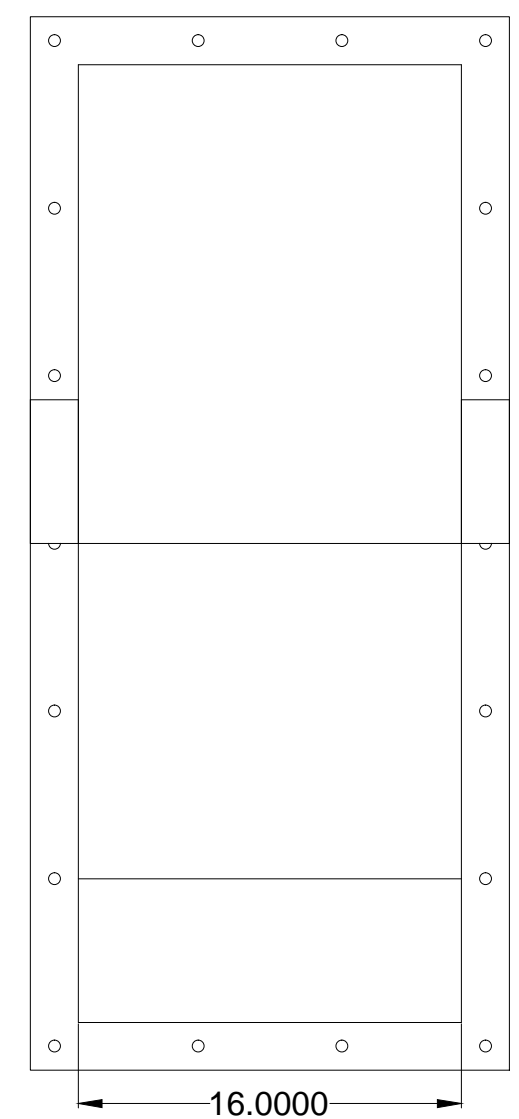
Isometric View



Top View



Side View



Back View

Avani Environmental Intl. Inc.
95 Cypress Drive
Youngsville, NC 27596
P# 919-570-2862 F# 919-570-2863

Avani

Project: Johnson Controls

Drawing: Plenum to Duct

Date: 1-2-13

Drawn by: MDT

Sheet No: 1 OF 1

Rev 1