



Date: January 23, 2013

Project:

To: Johnson Controls

Attn:

Recommended Equipment:

(1) Top Plenum Box

(2) Bottom Plenum Box

Avani Environmental Intl. Inc.

95 Cypress Drive

Youngsville, NC 27596

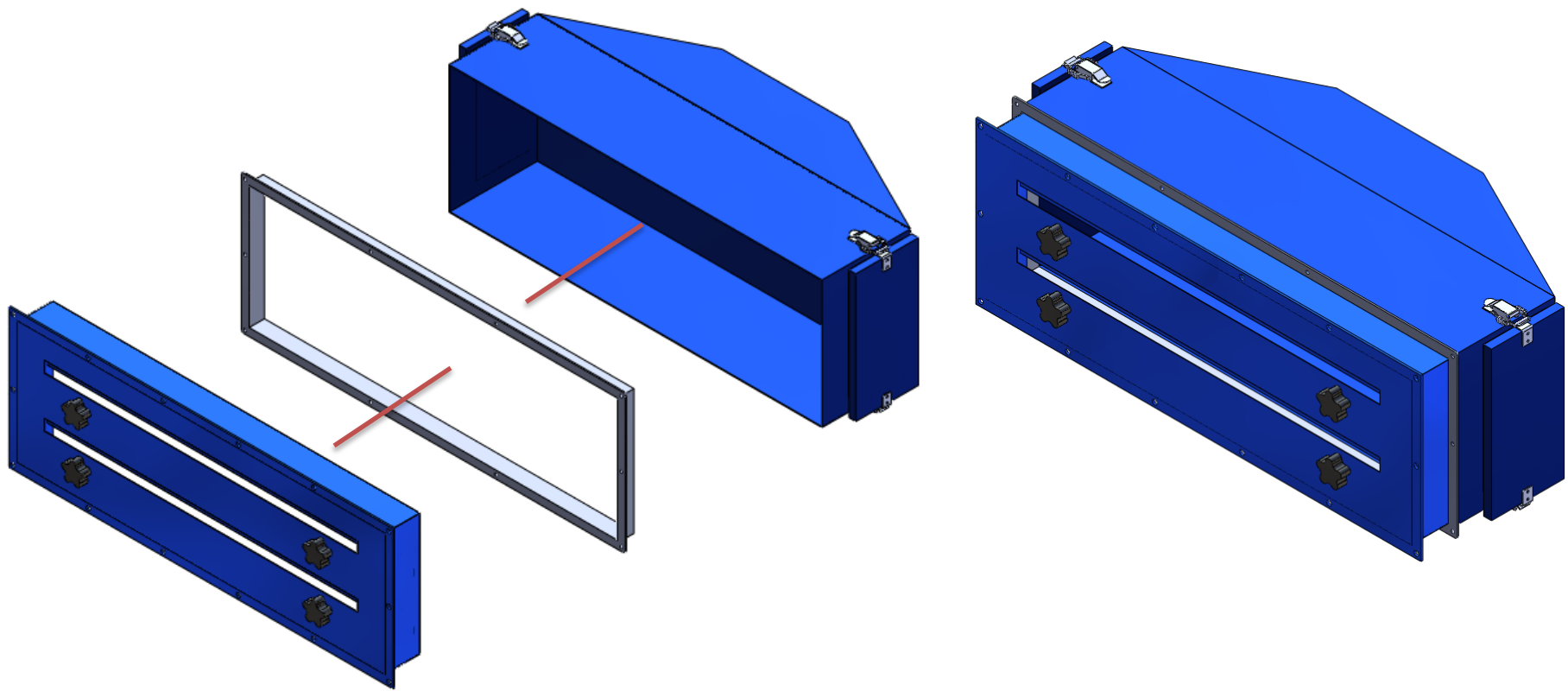
www.avanienvironmental.com

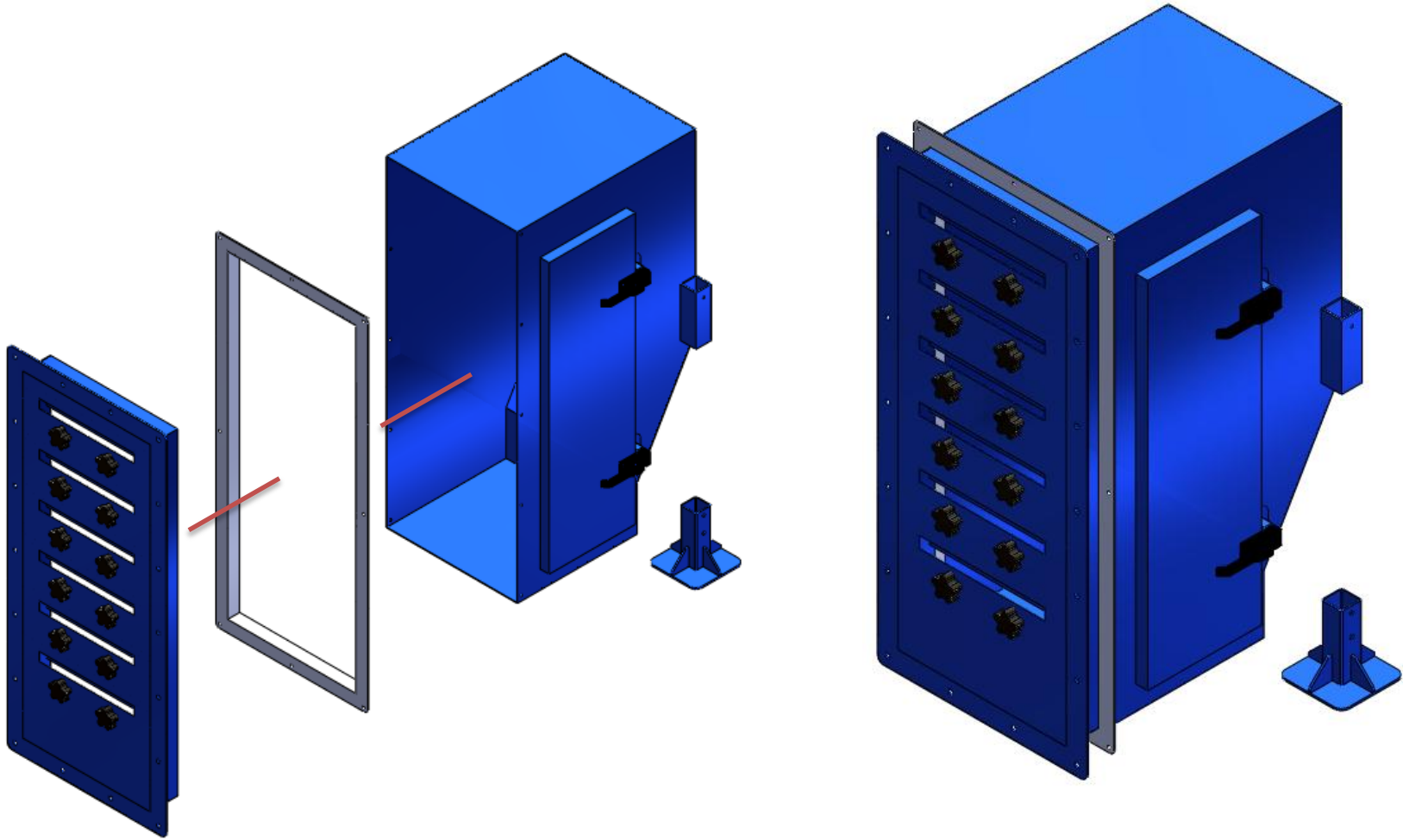
Phone: (919) 570-2862

Fax: (919) 570-2863

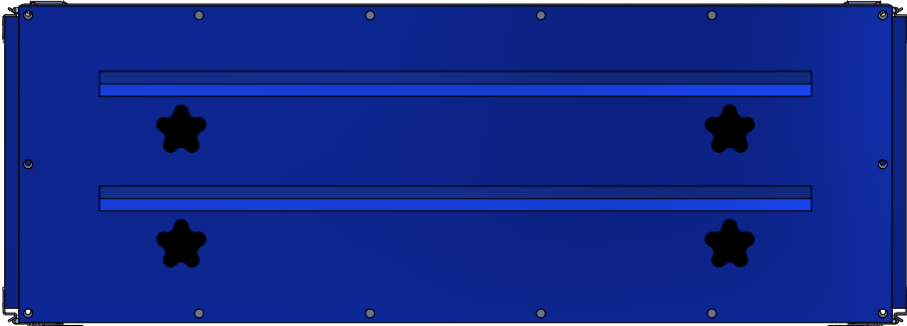
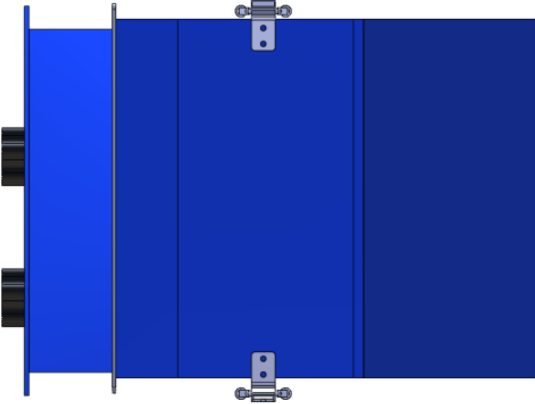
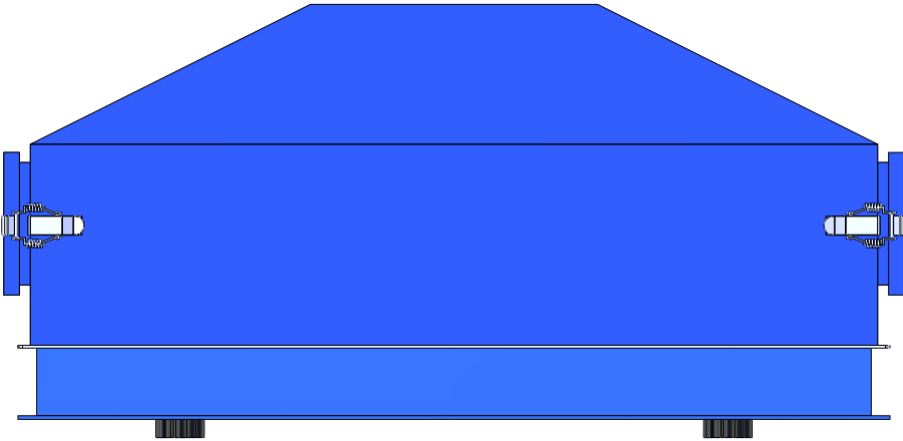
Email: info@avanienvironmental.com

www.weldingbooths.com

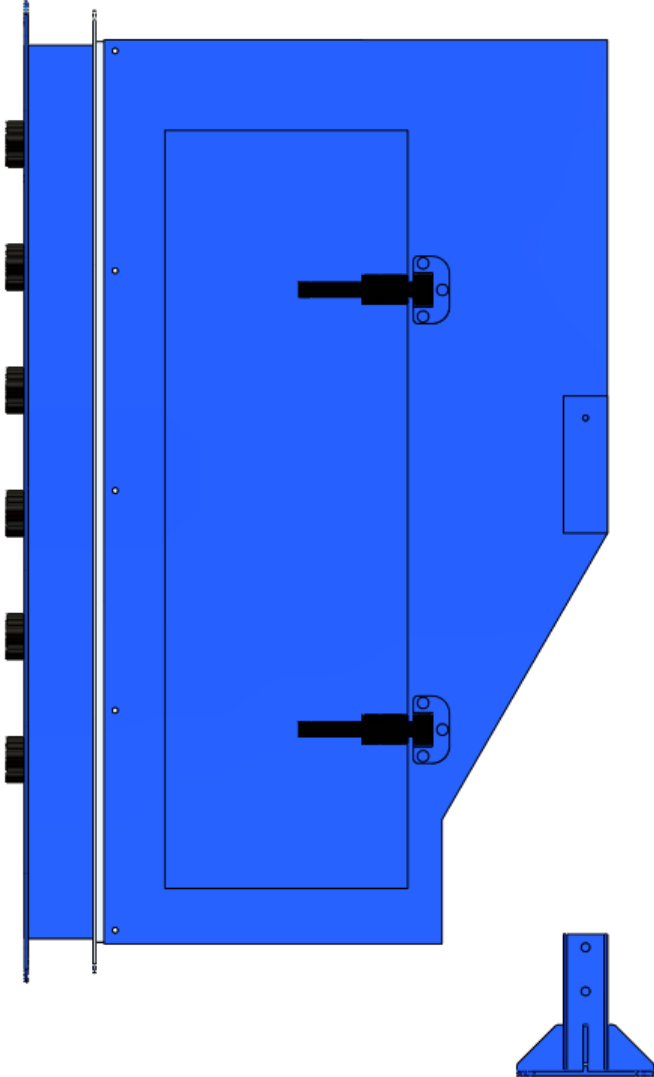




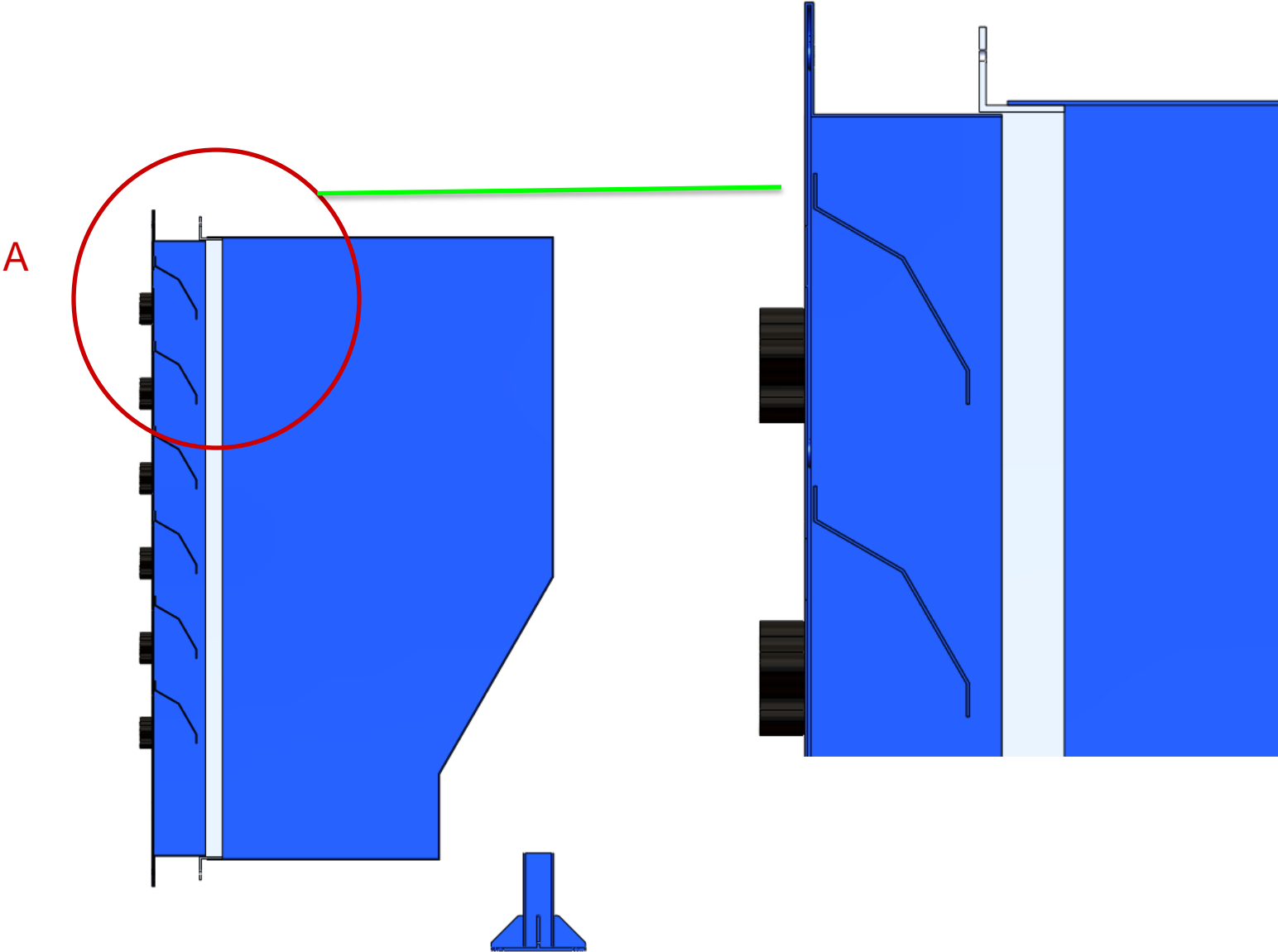
Top Plenum Box



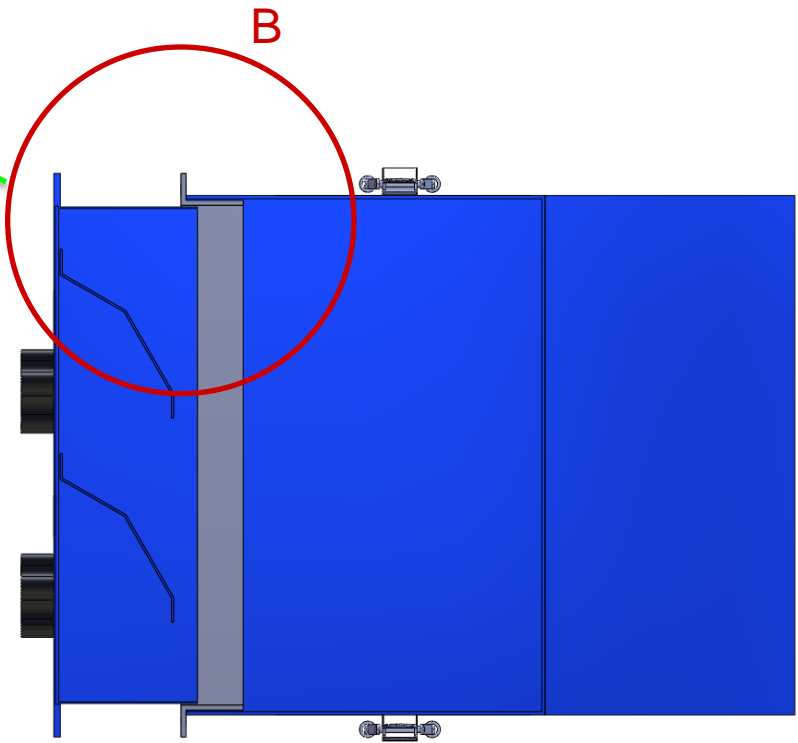
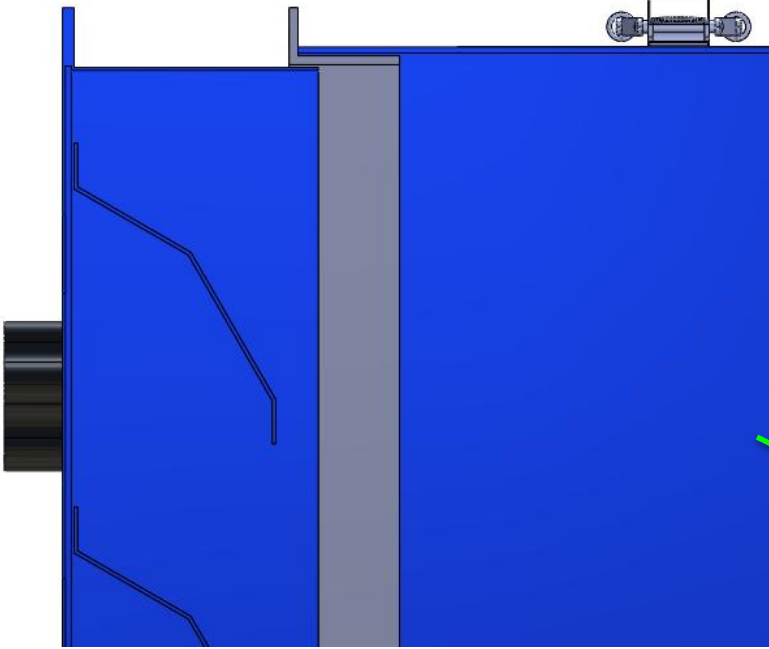
Bottom Plenum Box



Section A



Section B



B