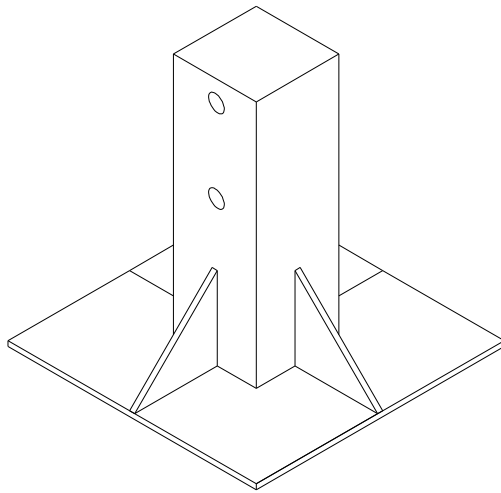
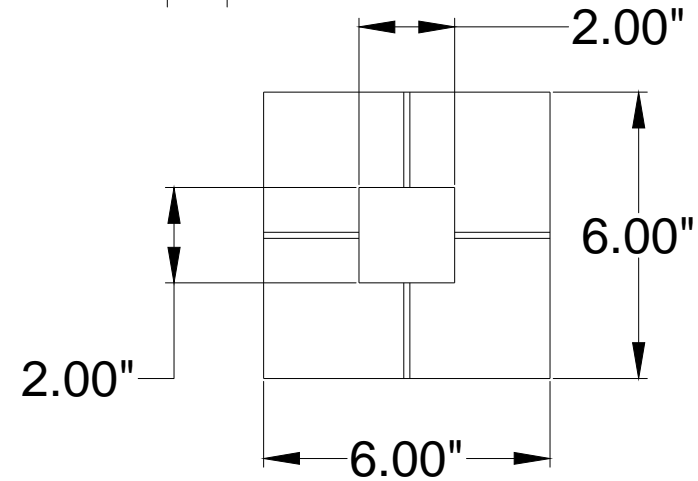


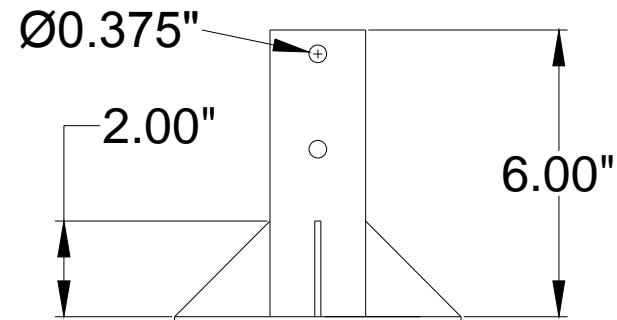
# Johnson Controls Unistrut Support



Isometric View



Top View



Side View

Notes:

1. 1.81"x1.81" Unistrut should fit inside 2"x2" square tubing
2. Will connect to plenum box
3. Use same tubing on sides of "Outside Plenum Box"

Avani Environmental Intl. Inc.  
95 Cypress Drive  
Youngsville, NC 27596  
P# 919-570-2862 F# 919-570-2863

**Avani**

Project: Johnson Controls

Drawing: Unistrut Support

Date: 1-18-13

Drawn by: MDT

Sheet No: 1 OF 1

Rev 0