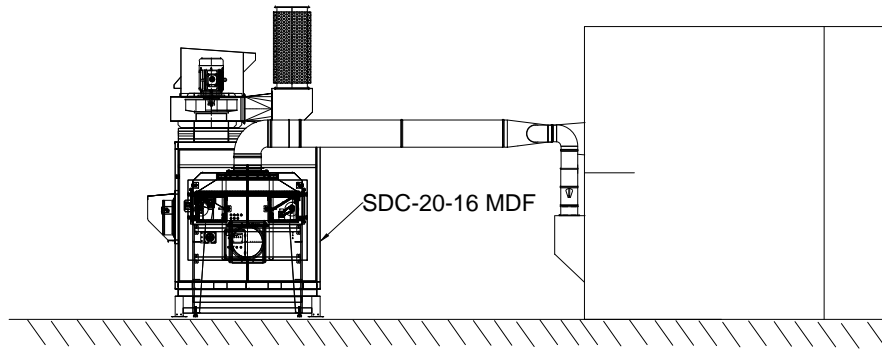
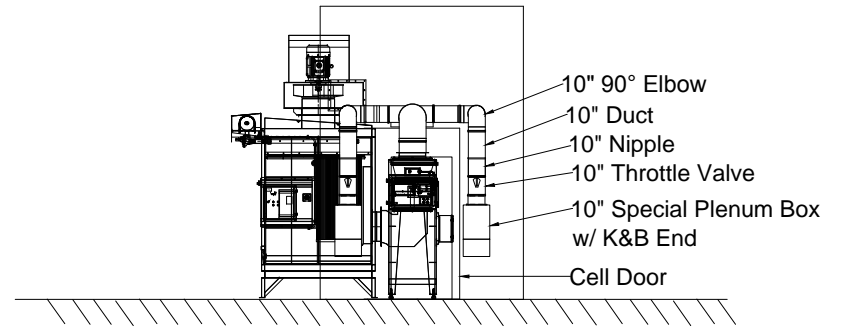


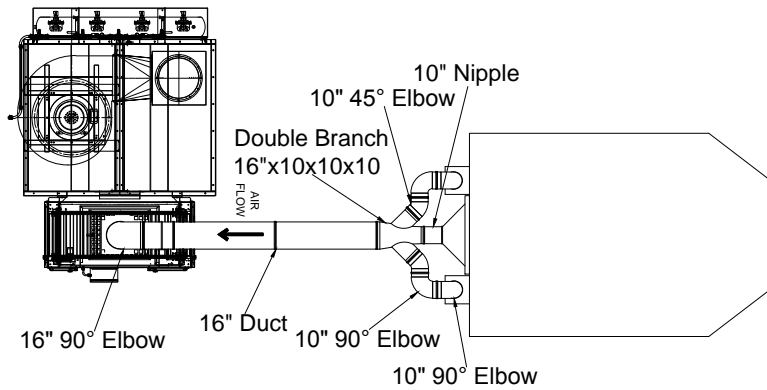
JOHNSON CONTROLS WELDING CELL



Side View



Front View



Plan View

Avani Environmental Intl. Inc.
95 Cypress Drive
Youngsville, NC 27596
P# 919-488-2862 F# 919-488-2863

Avani

Project: Johnson Controls
Drawing: Robotic Welding Cell Duct

Date: 2/27/2013 | Drawn by: MDT

Sheet No: 1 of 1