



Date: January 22, 2013

Project:

To: Johnson Controls

Attn:

Recommended Equipment:

(1) Top Plenum Box

(2) Bottom Plenum Box

Avani Environmental Intl. Inc.

95 Cypress Drive

Youngsville, NC 27596

www.avanienvironmental.com

Phone: (919) 570-2862

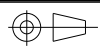
Fax: (919) 570-2863

Email: info@avanienvironmental.com

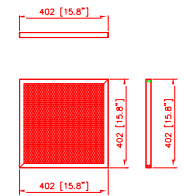
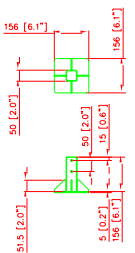
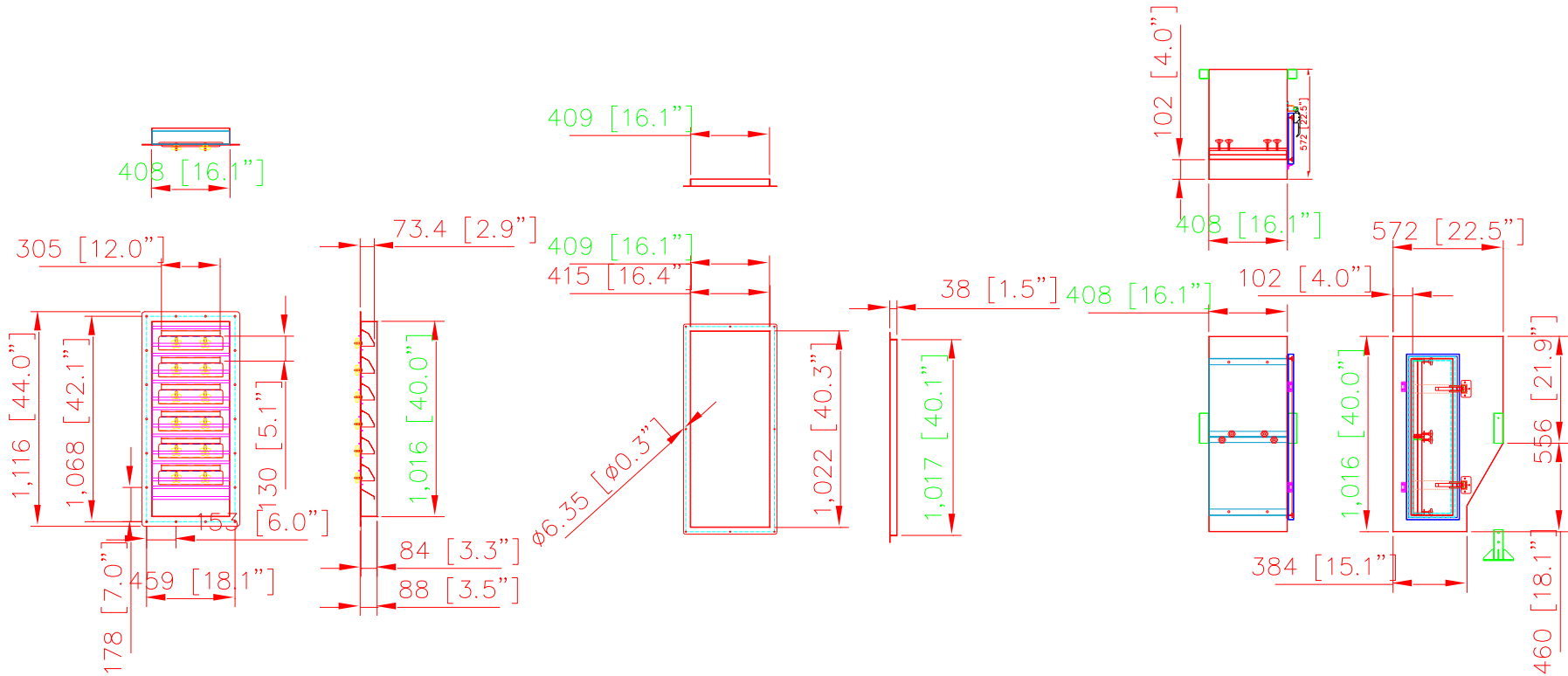
www.weldingbooths.com

DO NOT SCALE

IF IN DOUBT ASK



Revisions			
Rev	Description	Date	Approved



Aluminum Mesh x 4pcs
size: 402 x 402 x 22 mm

AVANI ENVIRONMENTAL INTL. INC. Sales Department
95 Cypress Drive
Youngsville, NC 27596
(919) 570-2862
info@avanienvironmental.com

	Date	Name	Part Number:
Drawn by:	2013-01-22	***	Johnson Controls
Checked by:			

Title: **Bottom Plenum Box**

The drawings, AutoCAD, 3-D Models, and specifications are the property of Avani Environmental Intl. Inc. (AE) and may not be reproduced, distributed, modified, or otherwise used, except provided herein, without the express written permission of AE.

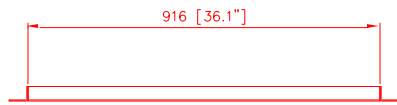
Size	Scale	Drawing Number:
E	1 = 16	***

DO NOT SCALE

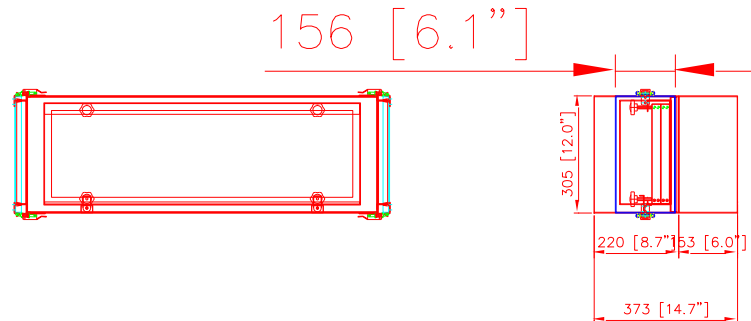
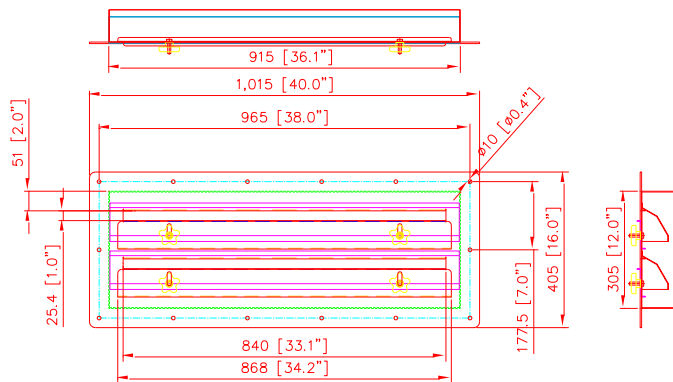
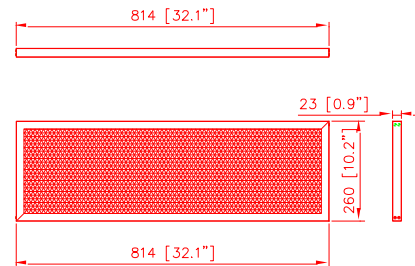
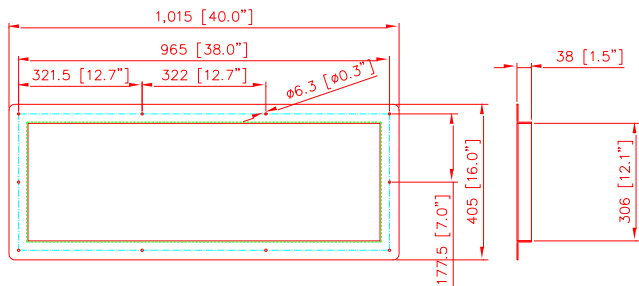
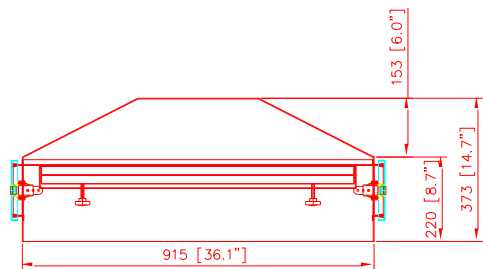
IF IN DOUBT ASK



Revisions			
Rev	Description	Date	Approved



aluminum mesh x 2pcs
size: 814 x 260 x 22 mm



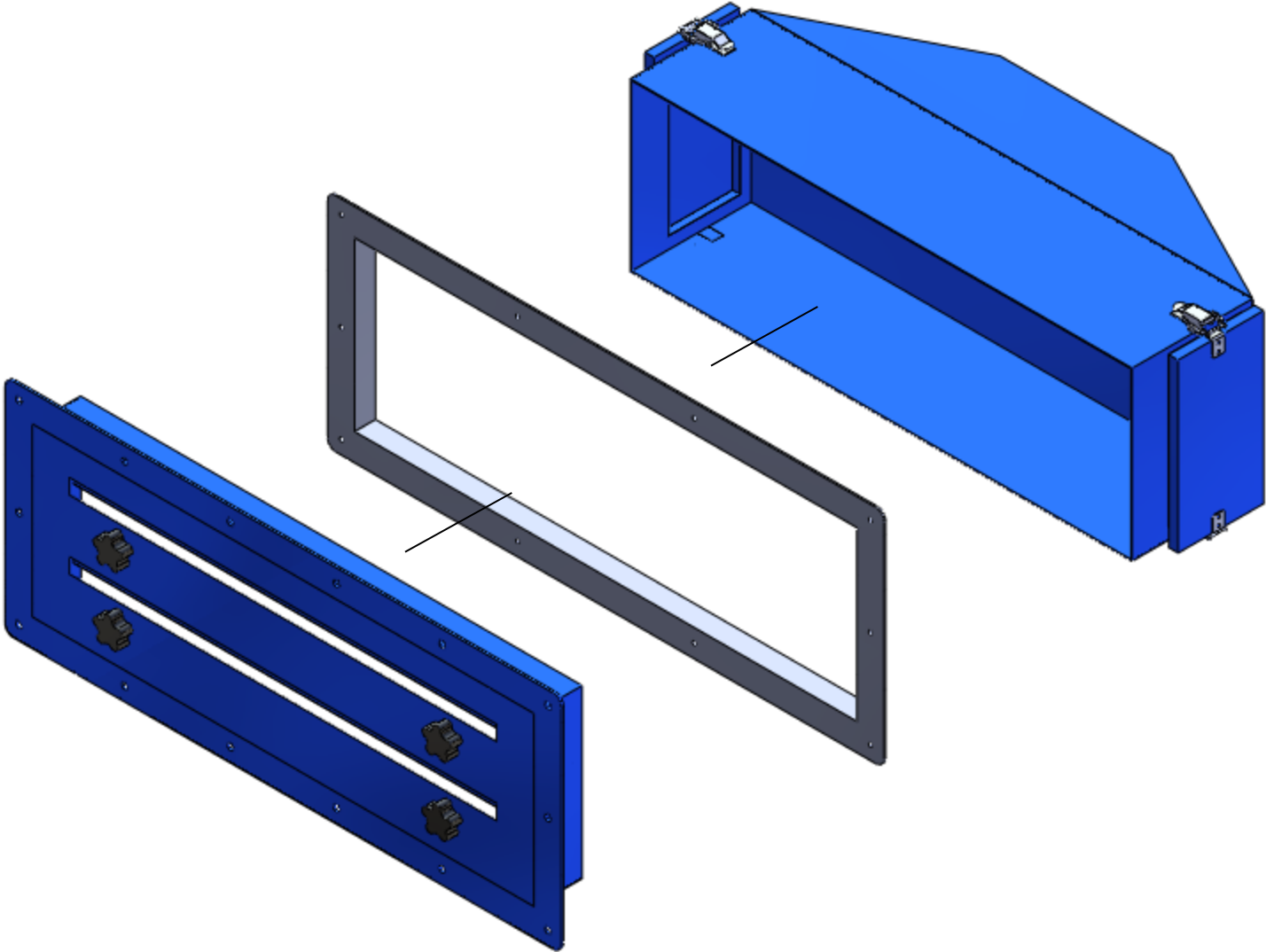
AVANI ENVIRONMENTAL INTL. INC. Sales Department
95 Cypress Drive (919) 570-2862
Youngsville, NC 27596 info@avanienvironmental.com

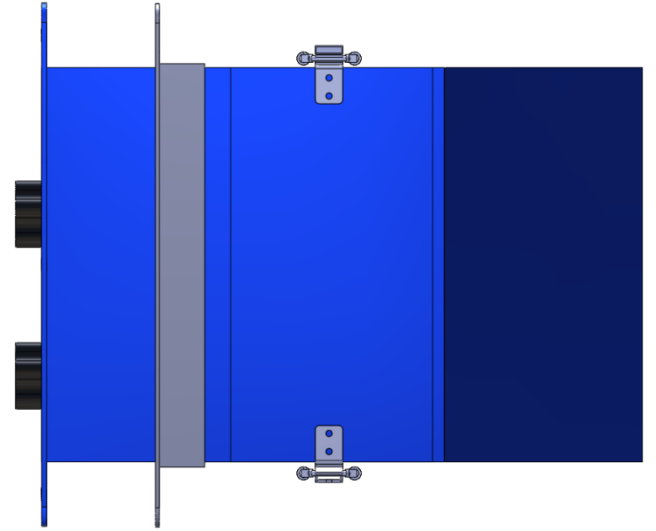
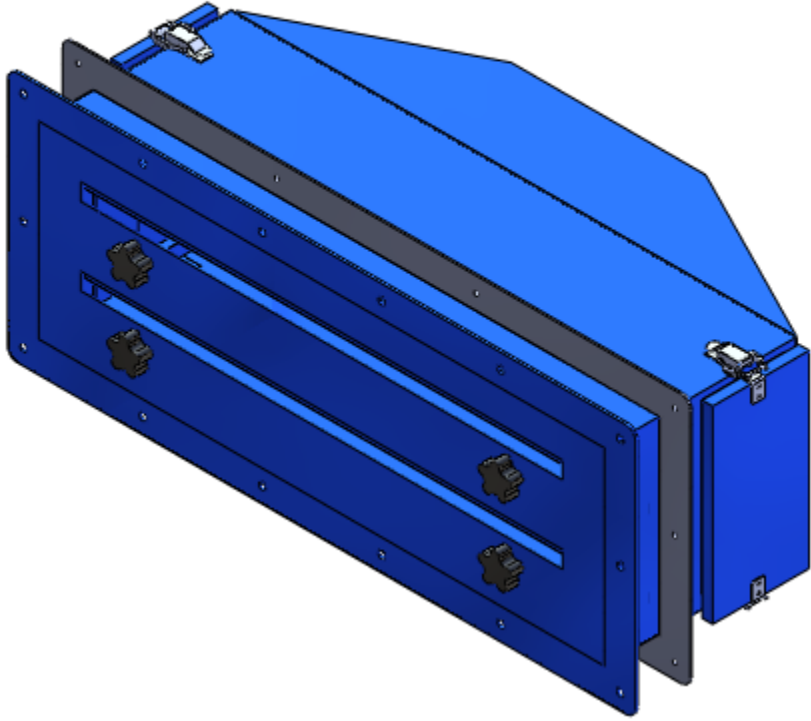
	Date	Name	Part Number:	Title:
Drawn by:	2013-01-22	***	Johnson Controls	Top Plenum Box
Checked by:	2012-11-14			

The drawings, AutoCAD, 3-D Models, and specifications are the property of Avani Environmental Intl. Inc. (AE) and may not be reproduced, distributed, modified, or otherwise used, except provided herein, without the express written permission of AE.

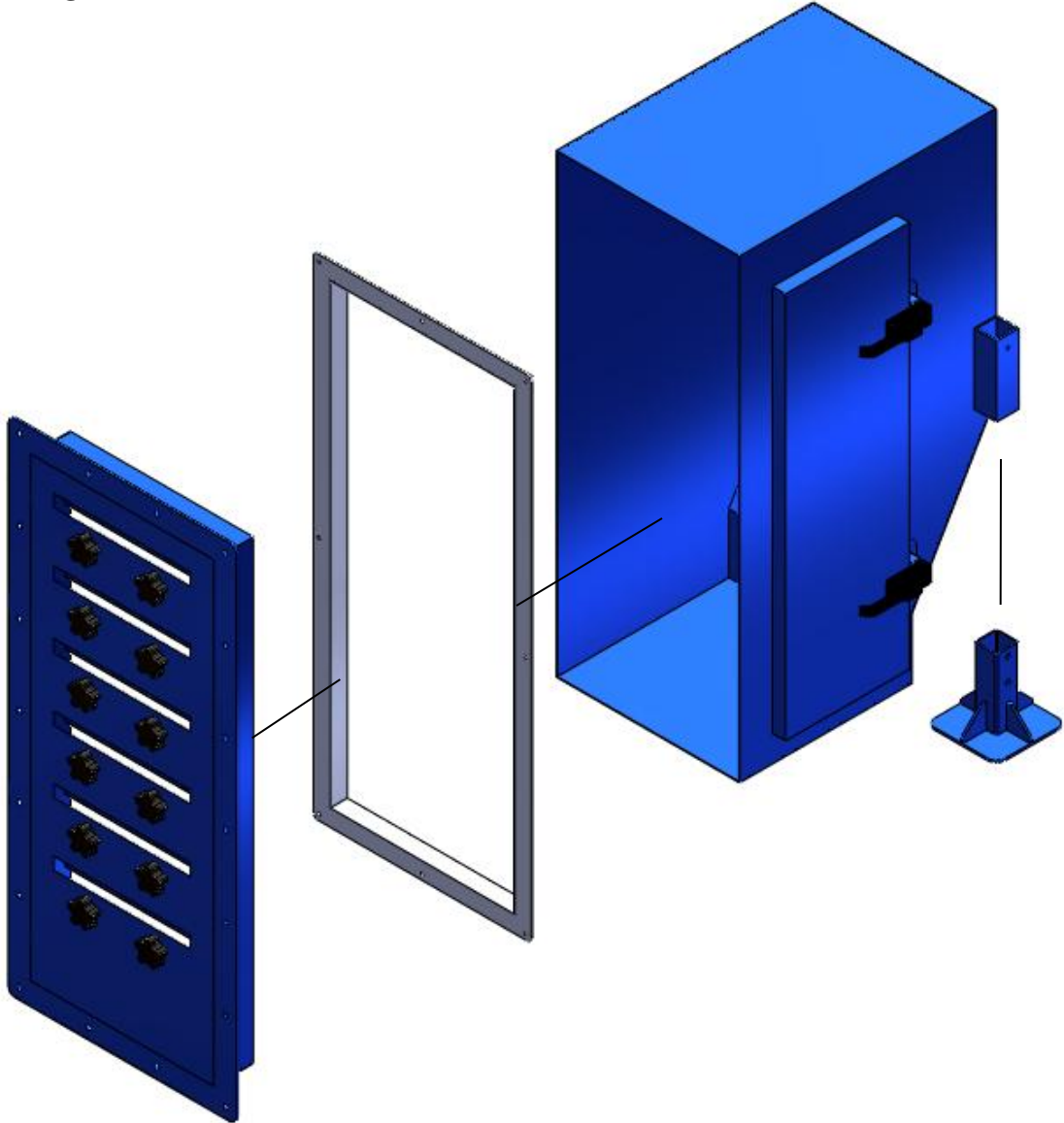
Size	Scale	Drawing Number:
D	1 = 16	***

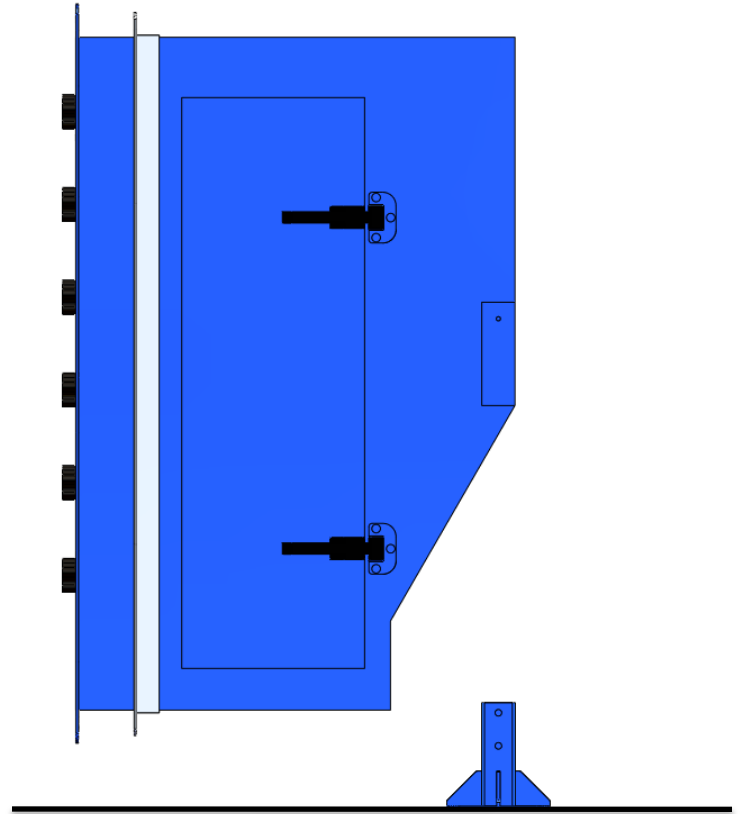
Top Plenum Box

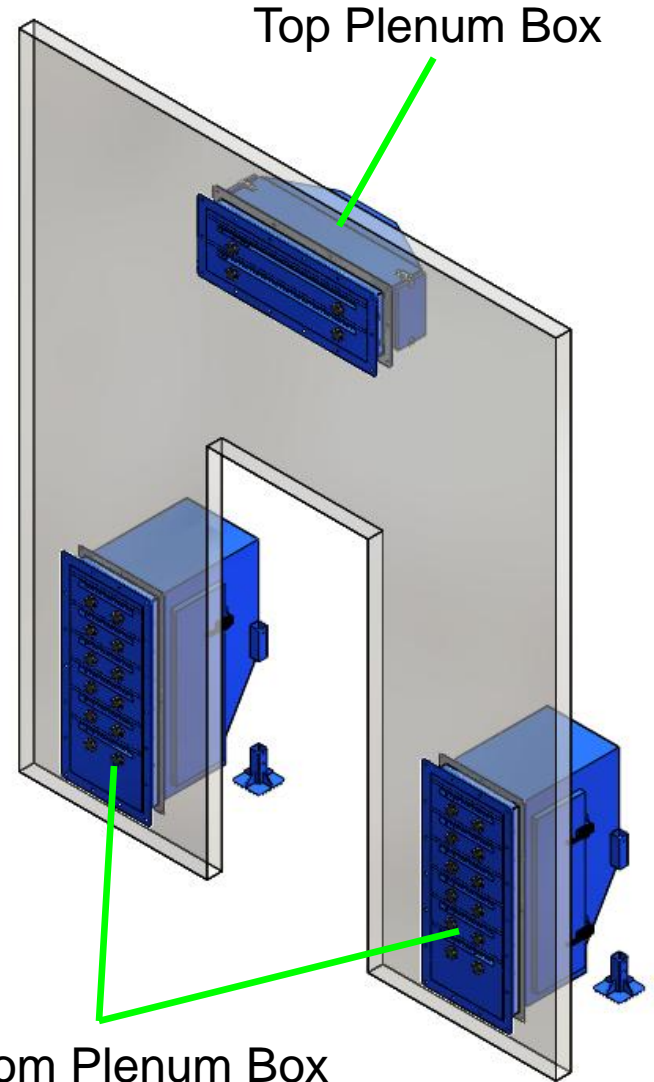
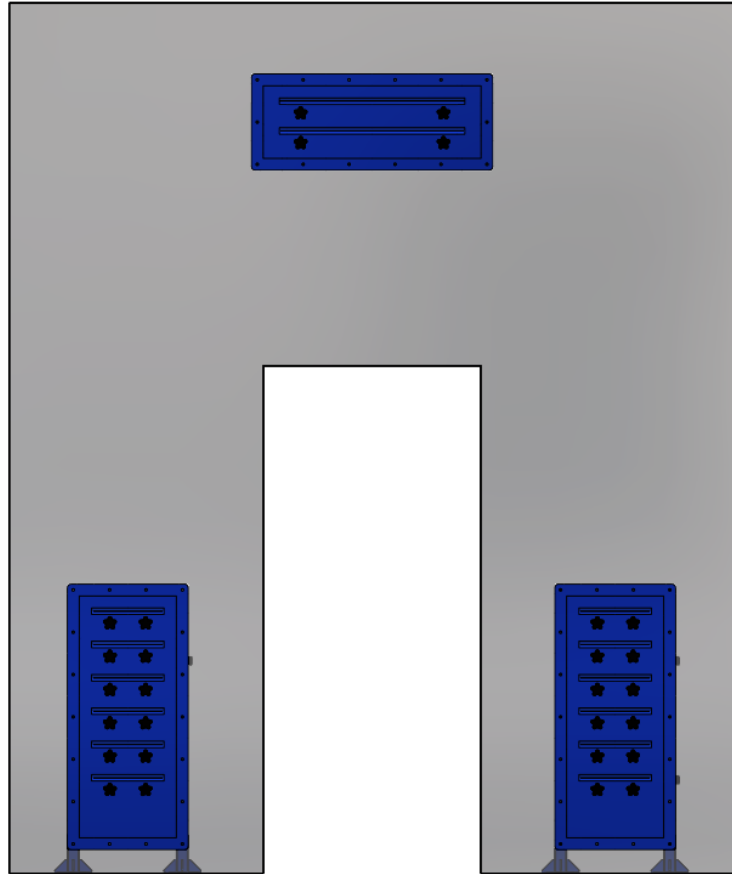




Bottom Plenum Box







(2) Bottom Plenum Box

