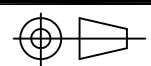


DO NOT SCALE

IF IN DOUBT ASK



PRODUCED BY AN AUTODESK EDUCATIONAL PRODUCT

Revisions

Rev	Description	Date	Approved
-----	-------------	------	----------

- SDC-20-16MDF SPECIFICATION -

- Direct Drive Blower (on the machine top)
- Motor: 20HP x 1 pc
- CFM: 8,500 ft³/min @ 8" SP
- Include:
 - UL Individual Control Boxes for Cartridge Collector and Blowers

***Inlet: dia. 450 mm (dia. 17.7")

- Cartridge Filter: Dia. 325mm x 1320mm x 16pcs (Dia. 12.8" x 52" x 16pcs)
- Material: Polyester with TEFLON coating.
- Filter Area: 19m² x 16 = 304m² (3271.04 ft²)
- Pleat Depth: 48mm

- Horizontal Positioned Filters,
- Continuous Welded Seams,
- Gasket and Latched Doors,
- Powder Coated Paint and
- Reverse Jet Pulse Cleaning

- Include:
 - Filter Chamber
 - Inlet Square Pipe (need dimensions)
 - Fan/motor combinations

• No. of Valves: 4

- Inlet Air: 4"³
- Compressed Air Requirement: 90 PSI
- Compressed Air Reservoir: 15.8 gallon
- Dimension: 102.2" x 133.6" x 179.9" (2593.5 x 3392 x 4566mm)

• Construction: 13 Gauge for panel; 11 Gauge Steel Cabinet

- Max. Operating Temp.: 120°C
- Paint Color: Blue

***with Feet underneath the machine.

***1-1/2" connector welded to the right side of the collector when facing the unit.

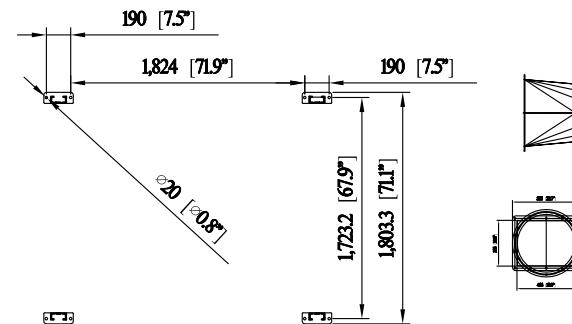
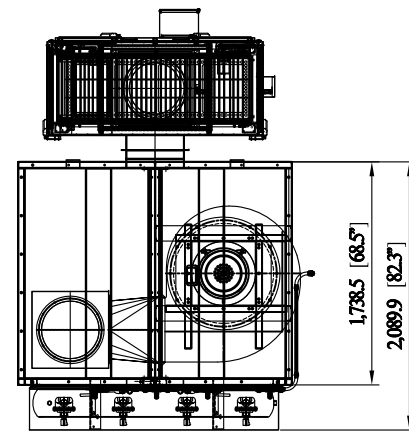
***w/ silencer.

***Roll Media: RM-6000

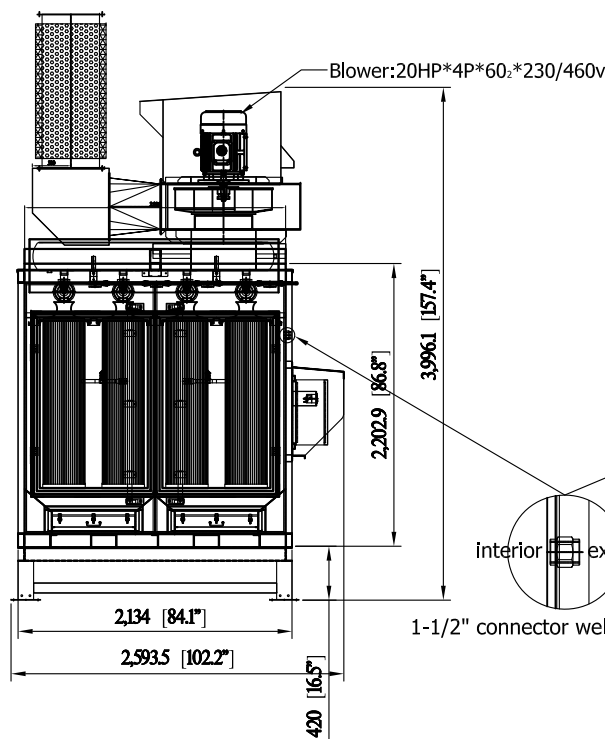
***VFD

***Pulse Control Box: run off of 120V / 60Hz/ 1-phase, no transformer inside the pulse box. Pulse Box located inside the building on the collector.

***Blower Control Box 460V / 60Hz / 3-phase, with transformer. Blower box located inside the building.

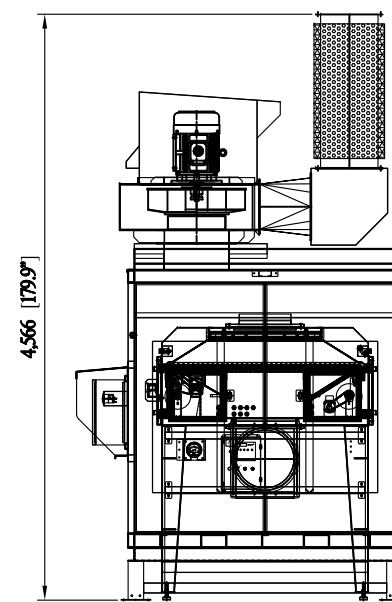
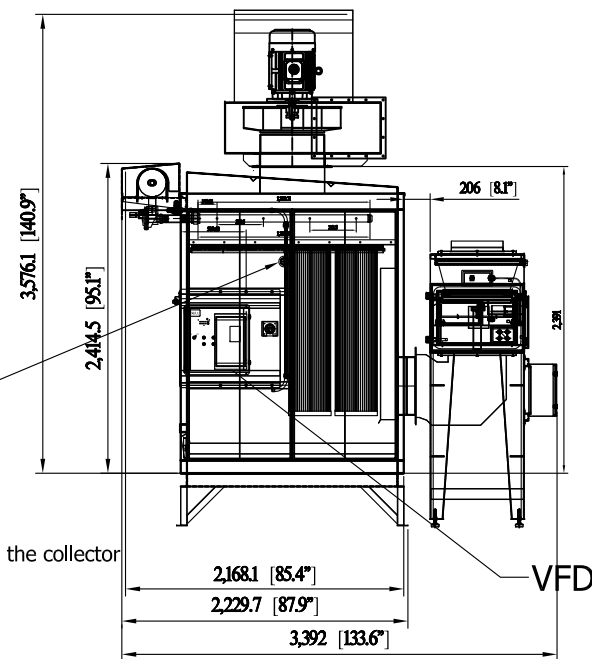


Blower Outlet



interior exterior

1-1/2" connector welded to the collector



Cartridge Collector Inlet

AVANI ENVIRONMENTAL INTL. INC. Sales Department
 95 Cypress Drive (919) 570-2862
 Youngsville, NC 27596 info@avanienvironmental.com

Date	Name	Part Number:
2013-01-09	***	SDC-20-16MDF
2012-12-19		

The drawings, AutoCAD, 3-D Models, and specifications are the property of Avani Environmental Intl. Inc. (AE) and may not be reproduced, distributed, modified, or otherwise used, except provided herein, without the express written permission of AE.

Title: Cartridge Collector (drawer type) w Feet		
Size C	Scale 1 = 1	Drawing Number: SVL-1600-01

PRODUCED BY AN AUTODESK EDUCATIONAL PRODUCT

PRODUCED BY AN AUTODESK EDUCATIONAL PRODUCT

PRODUCED BY AN AUTODESK EDUCATIONAL PRODUCT