



Date: March 08, 2013

To: Johnson Controls

Project:

Attn:

Recommended Equipment:

(1) SDC-20-16MDF Cartridge Collector Drawer Type w/ Feet

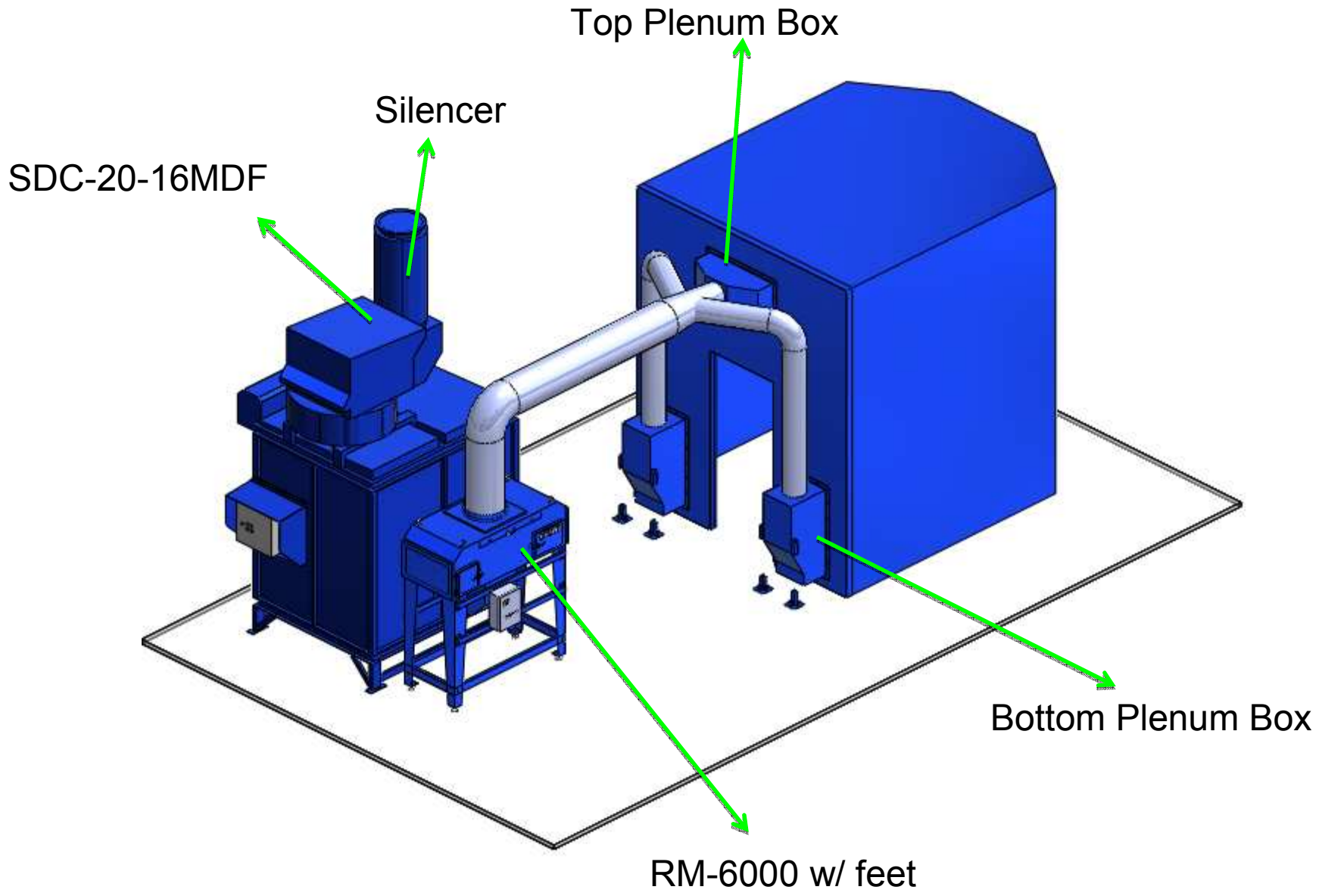
- 8,500CFM @ 8" SP
- normal 12" x 52"L polyester cartridges
- silencer
- VFD

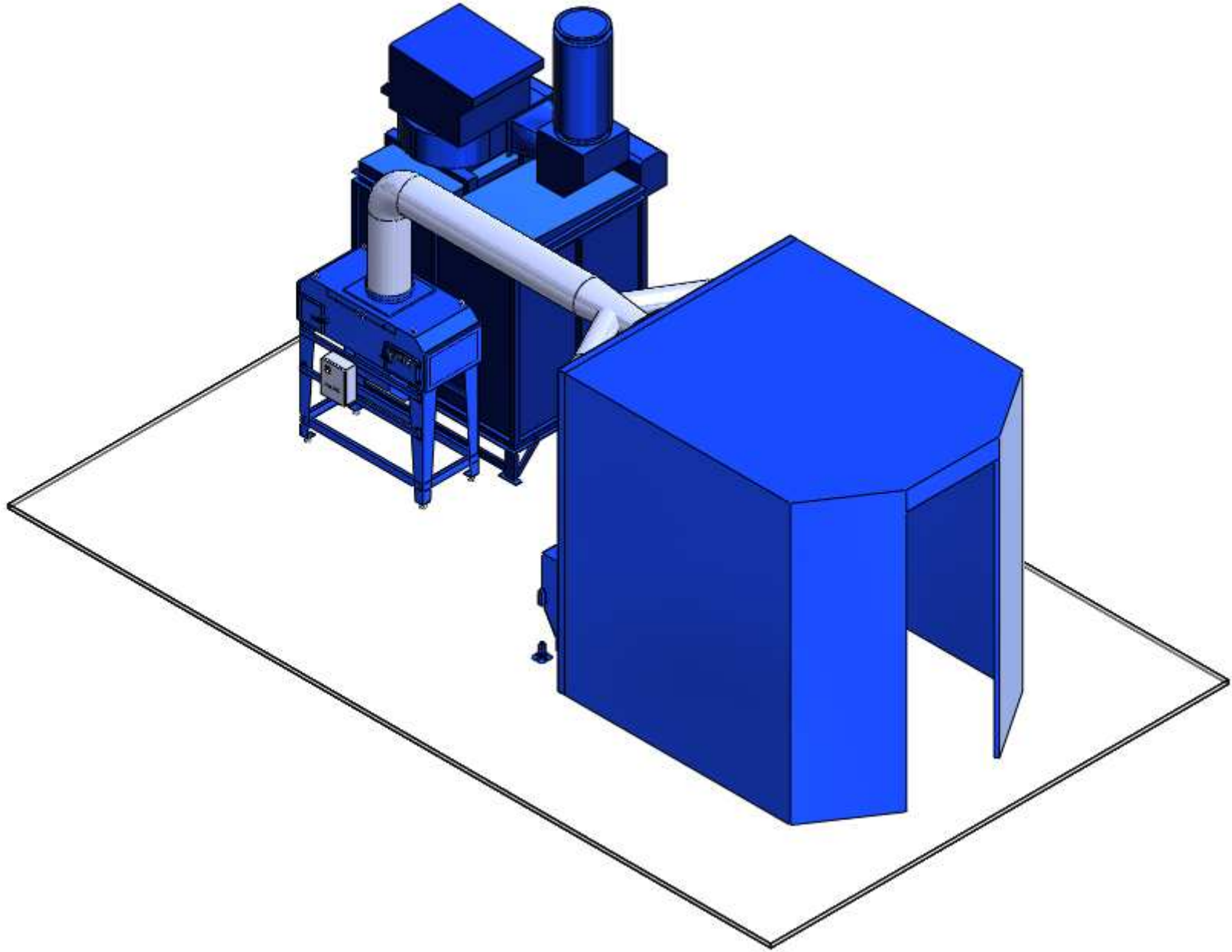
(1) Roll Media: RM-6000

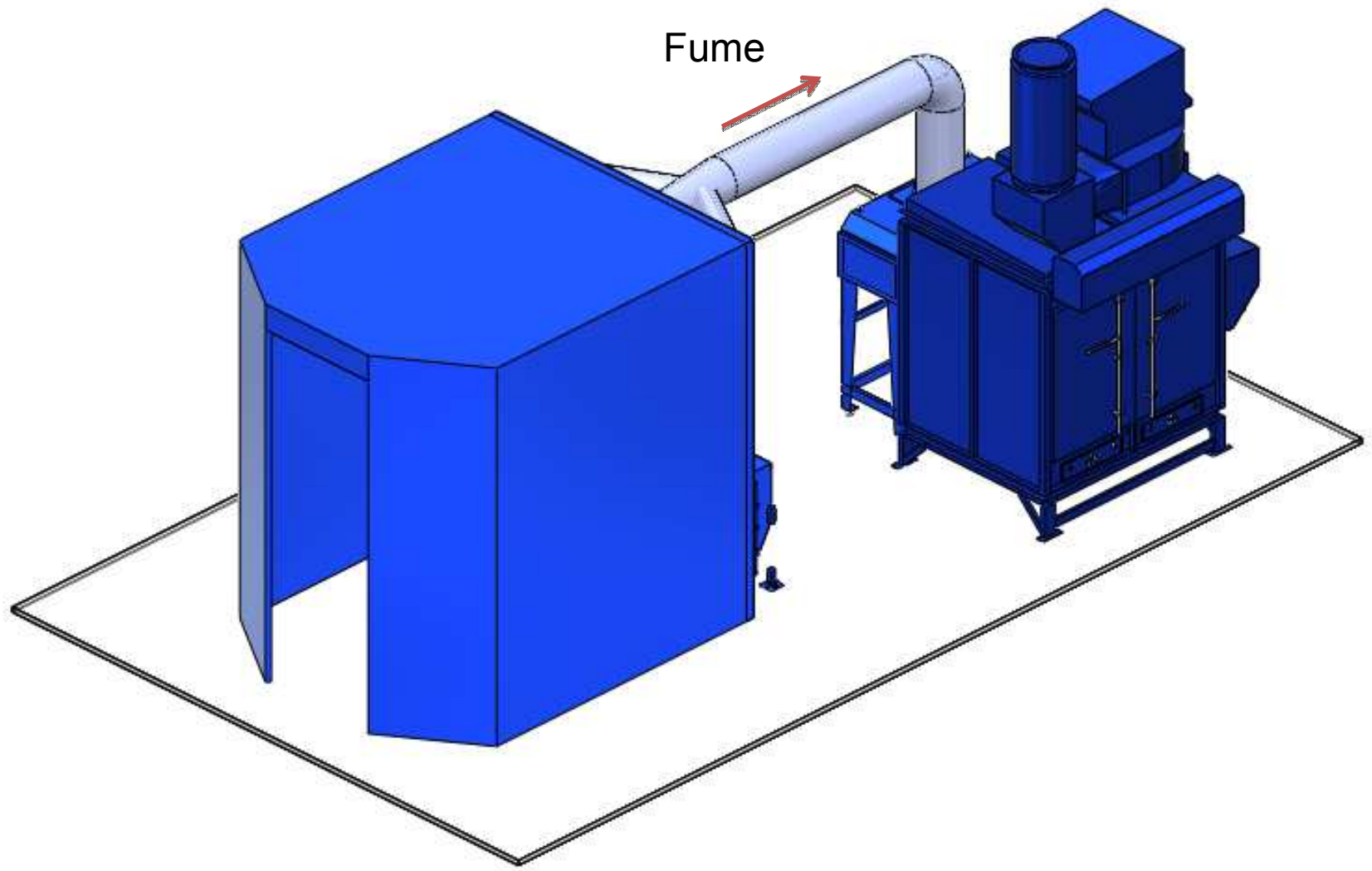
Avani Environmental Intl. Inc.
95 Cypress Drive
Youngsville, NC 27596
www.avanienvironmental.com

Phone: (919) 570-2862
Fax: (919) 570-2863
Email: info@avanienvironmental.com
www.weldingbooths.com

The drawings, AutoCAD, 3-D Models, and specifications are the property of Avani Environmental Intl. Inc. (AE) and may not be reproduced, distributed, modified, or otherwise used, except provided herein, without the express written permission of AE.







Fume

