



**Date:** November 16, 2011

**To:** Los Angeles Trade Technical College

**Project:**

**Attn:**

**Recommended Equipment:**

(1) WB-6056 Dual Welding Booth: each single booth 5'W x 6'D

- removable table
- additional partial front wall
- welding table
- front curtain: to source locally

(1) TMC-7-4 top mount dust collector (per two booths)

- 7.5HP, 4 cartridges

---

**Avani Environmental Intl. Inc.**  
95 Cypress Drive  
Youngsville, NC 27596  
[www.avanienvironmental.com](http://www.avanienvironmental.com)

Phone: (919) 570-2862  
Fax: (919) 570-2863  
Email: [info@avanienvironmental.com](mailto:info@avanienvironmental.com)  
[www.weldingbooths.com](http://www.weldingbooths.com)

DO NOT SCALE

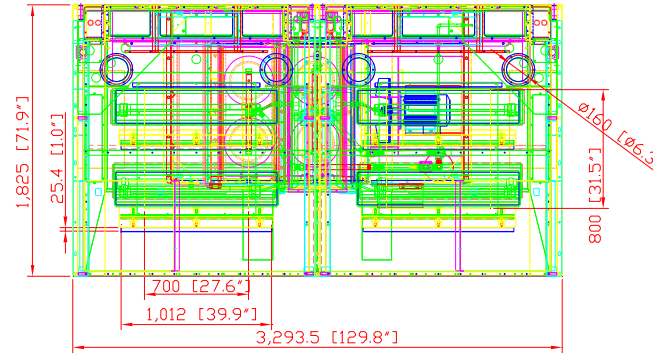
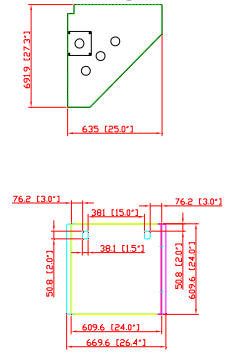
IF IN DOUBT ASK



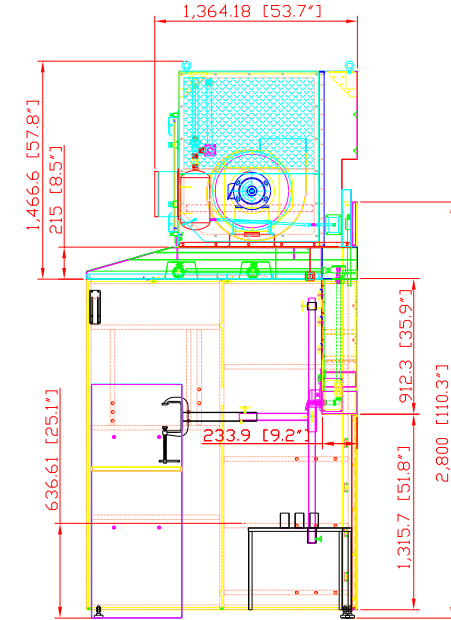
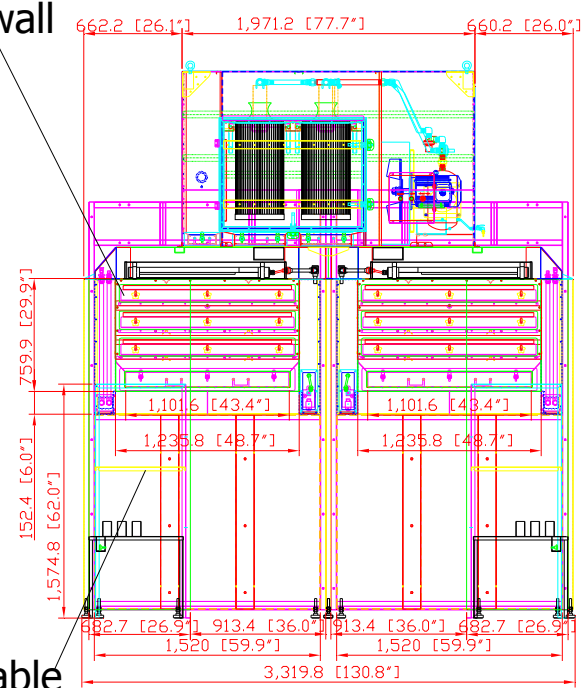
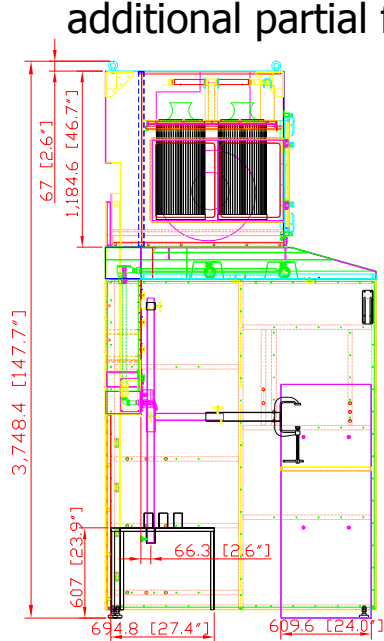
Revisions

| Rev | Description | Date | Approved |
|-----|-------------|------|----------|
|-----|-------------|------|----------|

### welding table



### additional partial front wall



### removable table

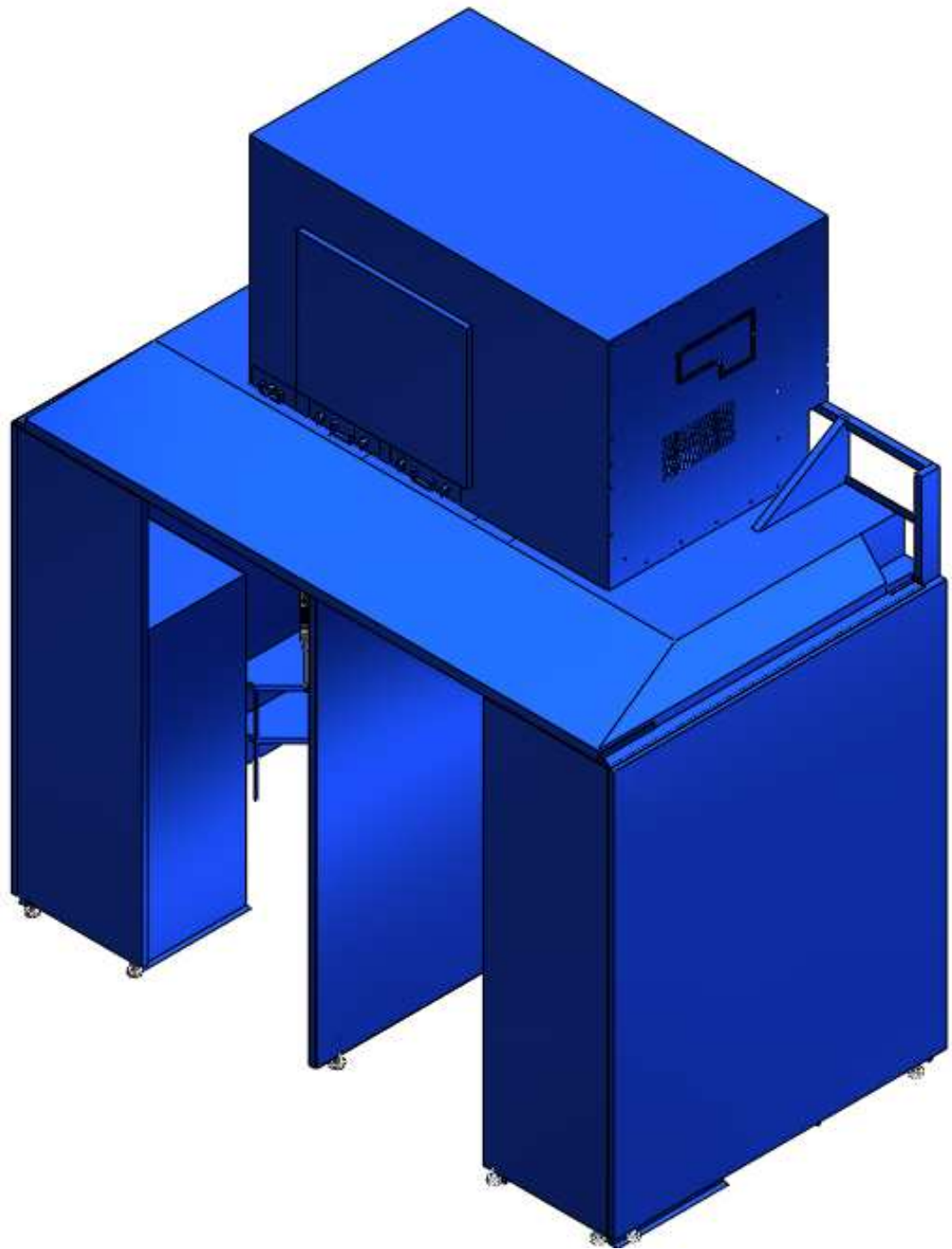
front curtain: to source locally

AVANI ENVIRONMENTAL INTL. INC. Sales Department  
 95 Cypress Drive  
 Youngsville, NC 27596

(919) 570-2862  
 info@avanienvironmental.com

|  |            |      |                              |
|--|------------|------|------------------------------|
| Drawn by:  | Date       | Name | Part Number:                 |
| Checked by:  | 2011-11-11 | ***  | WB-5-6P (two S)<br>SDC-B-7-4 |
| The drawings, AutoCAD, 3-D Models, and specifications are the property of Avani Environmental Intl. Inc. (AE) and may not be reproduced, distributed, modified, or otherwise used, except provided herein, without the express written permission of AE. |            |      |                              |

|   |                 |                          |
|---|-----------------|--------------------------|
| Title: WB-6056 (2sets side-by-side)<br>with TMC-7-4 |                 |                          |
| Size<br><b>A</b>                                    | Scale<br>1 = 45 | Drawing Number:<br>LATTC |



front curtain: to source locally

additional partial front wall

removable table

welding table

