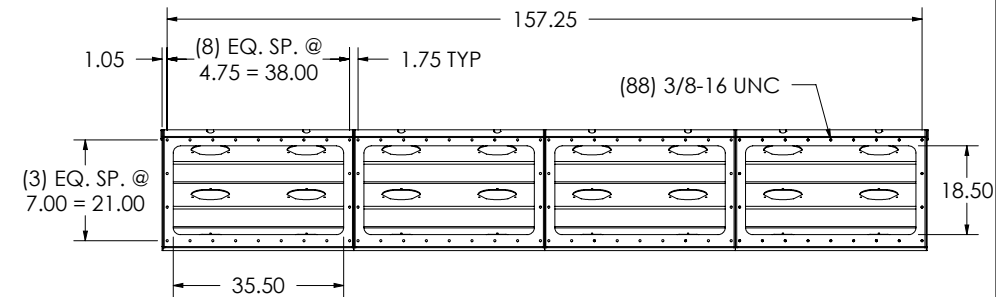
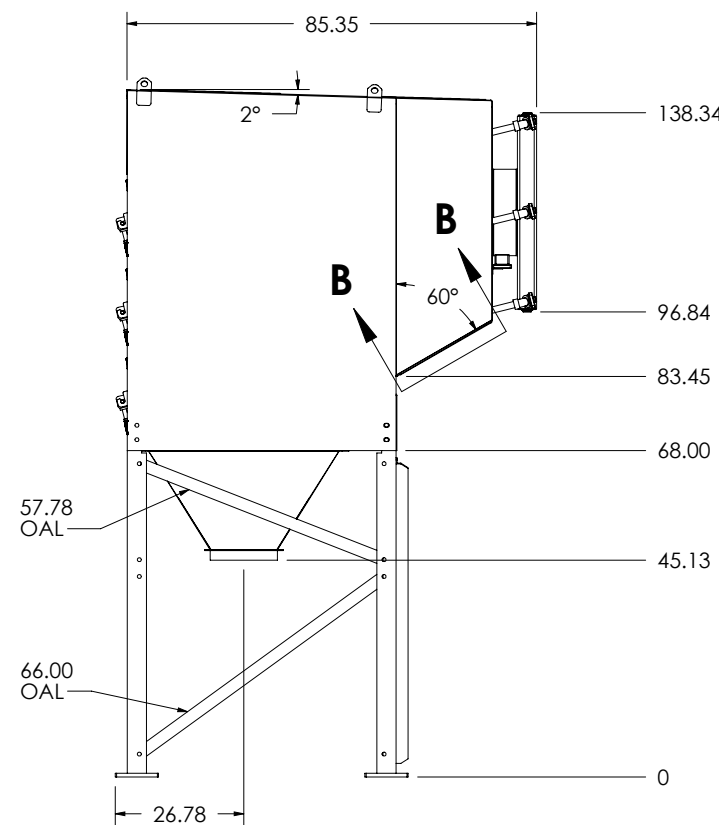
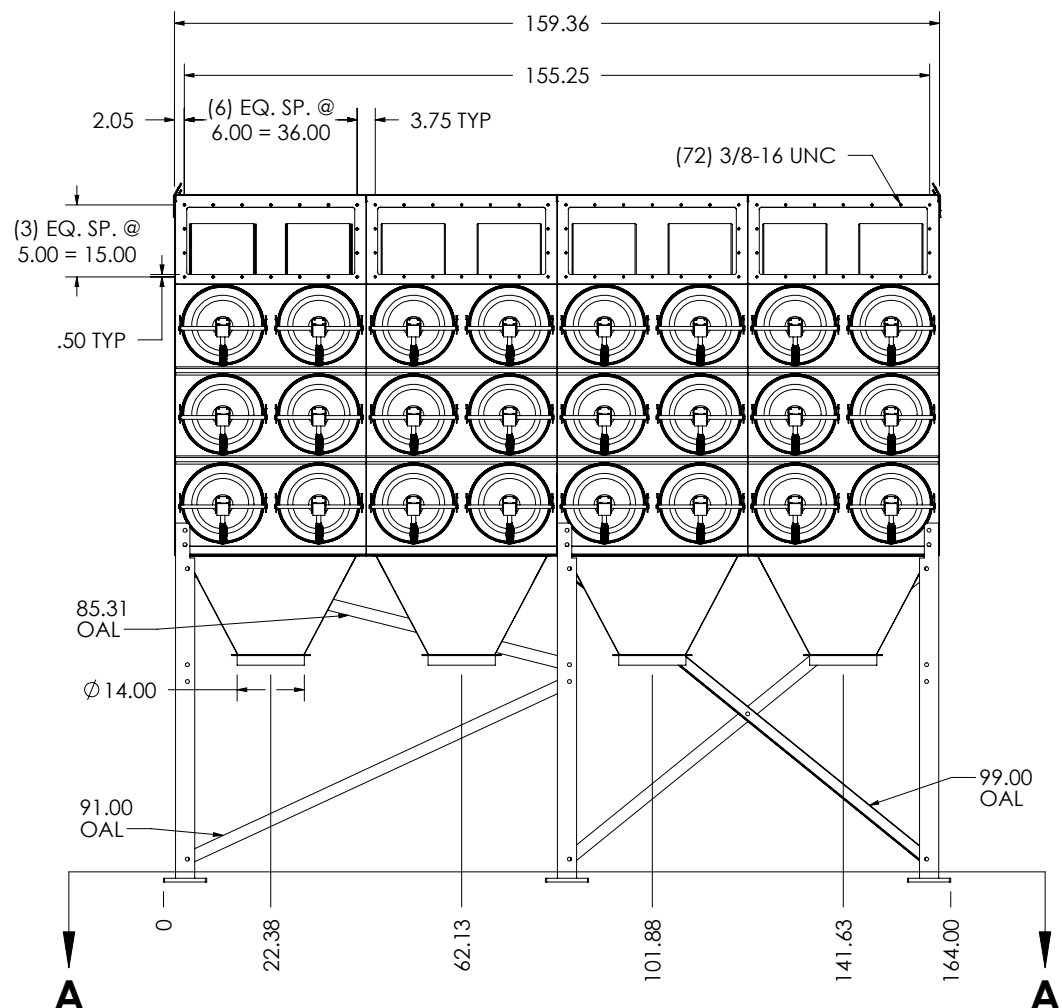


**SECTION A-A**



**SECTION B-B**

TCBI FAN SIZE	A	B
3	14.00	15.81
5-10	16.00	17.50
15-20	20.00	21.50
25-30	22.00	23.50




ACCESSORIES:

NOTES:

- COLLECTOR APPROX. WT: 6,300 LBS

REV	ECN	DATE	BY	CHK	DESCRIPTION
-	-	-	-	-	-


**95 Cypress Dr.**  
**Youngsville, NC 27597**  
**Phone: 919-570-2862**  
**www.avanienvironmental.com**

DRAWN BY: JX  
 DATE: 8/25/14  
 CHKD BY: -  
 DATE: -  
 SHOP NO.: -  
 SCALE: 1:40

TITLE: SDC-AT-3-48  
 DRAWING NO.: BC 500458  
 SHEET: 1 OF 1  
 ITEM: -  
 REV: -