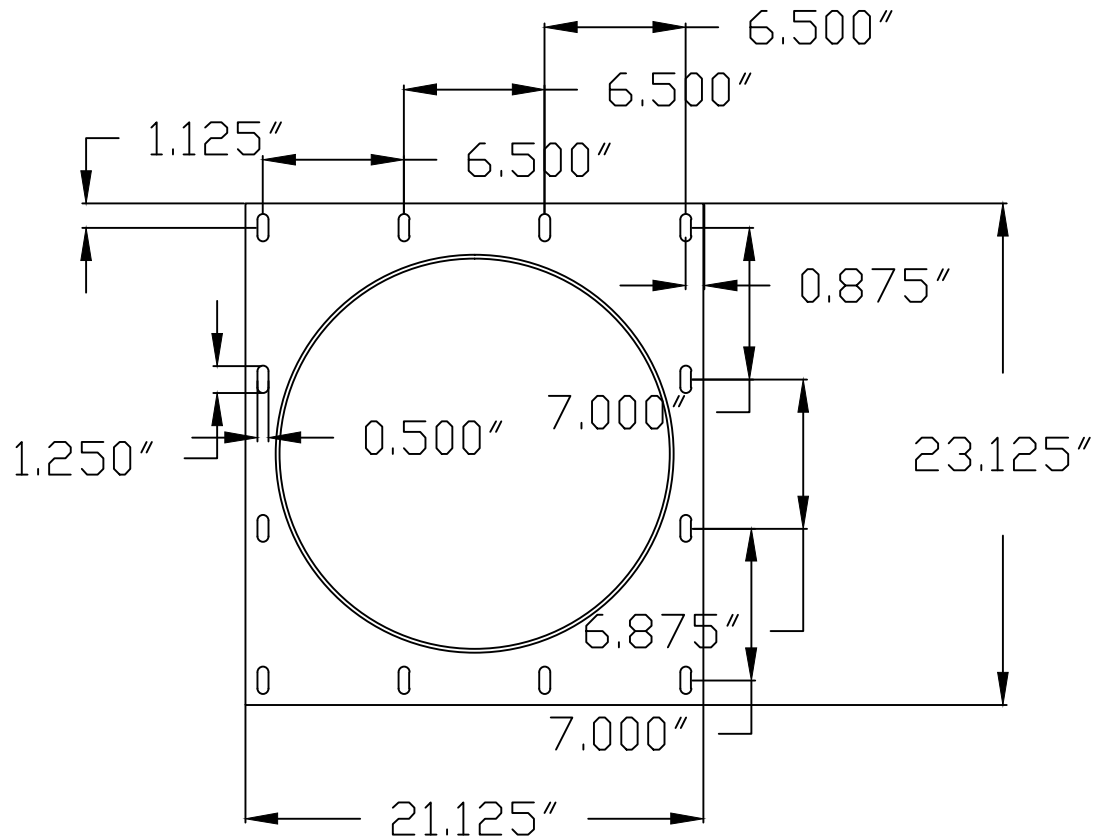


RM-6000N Adapter Plate for JCI Installation



1/2 of an 18" KB
Adjustable Sleeve

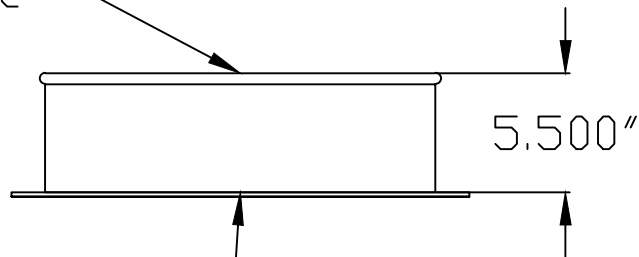


Plate to be 10 Gauge
(Need Two Adapters
per System)

Avani Environmental
95 Cypress Drive
Youngsville, NC 27596
P# 919-570-2862 F# 919-570-2863

Avani

Project: RM-6000N

Drawing: JCI Adapter Plate

Date: 10/28/15 Drawn by: WWB

Sheet No: 1 of 1 Rev.: 1