



REPRESENTED BY:

TODD AIR SOLUTIONS  
101 E FISHER ST, 3rd FLOOR  
SALISBURY NC 28144  
Phone: 704 630-1101  
Fax: 704 630-0528

DRAWING SUBMITTAL

CUSTOMER:

AVANI ENVIRONMENTAL  
PO BOX 1279  
YOUNGSVILLE, NC 27596

DATE: 5/15/2012

ATTENTION: Mr. Bob Venezia

P.O. # 4582

CFV # 1206319

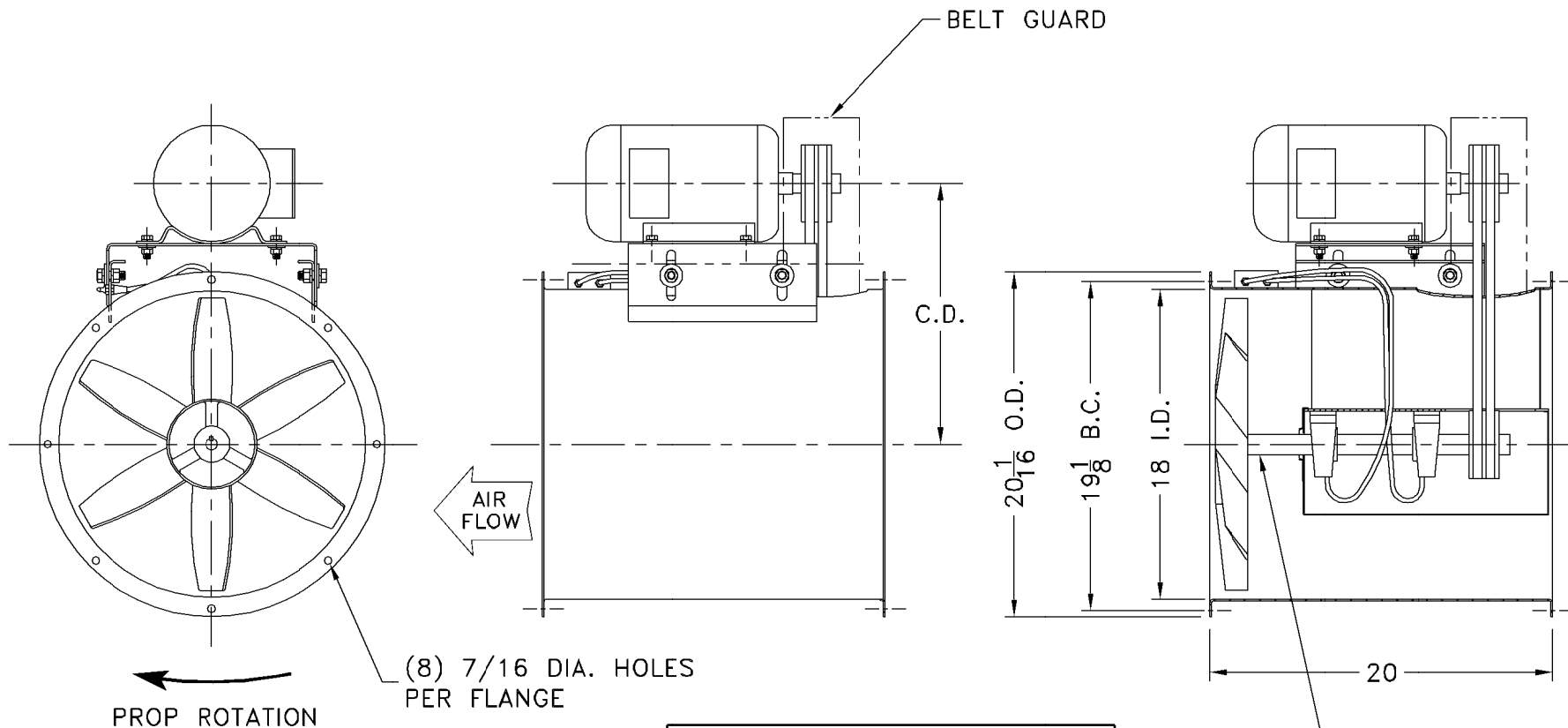
REPRESENTATIVE ORDER # CFQ# 215832

  X   REFERENCE             APPROVAL             CORRECTION

QTY.	DRAWING NO.	DESCRIPTION
	- - - -	SPECIFICATION SHEET
	TAF18	MODEL TAF-18

REMARKS: 2D CAD FILE ALSO INCLUDED.





C.D. BELT CENTER DISTANCE					
MOTOR FRAME SIZE					
56		143T-145T		182T-184T	
MIN.	MAX.	MIN.	MAX.	MIN.	MAX.
$15\frac{5}{8}$	$16\frac{13}{16}$	$15\frac{5}{8}$	$16\frac{13}{16}$	$15\frac{3}{4}$	$16\frac{15}{16}$

1 DIA. SHAFT  
1/4 KEYWAY

SECTION VIEW

NOTE:  
143T-145T FRAME MOTOR SHOWN.

NO.	DESCRIPTION	DATE	INITIALS
3	ADDED INLET GUARD	06/11/10	LG
2	REVISED C.D. CHART	10/06/06	LG
1	FLANGE OD WAS 20-1/2	10/11/05	DF
REVISIONS			

SUPERSEDES:	TOLERANCES: FRACTIONS ± 1/8 ANGLES: ± 1° DECIMALS: X.XXX = ±0.005 X.XX = ±0.060 X.X = ±0.120 ALL DIMENSIONS IN INCHES UNLESS OTHERWISE SPECIFIED	SCALE: FULL IN CAD DATE: 01/23/02 DR. BY: JJM CHK. BY:
SIMILAR TO:	MATERIAL:	ASSEMBLY

<p><b>cincinnati fan</b> 7697 SNIDER ROAD MASON, OHIO 45040</p>	TITLE	
	TAF-18 TUBE AXIAL FAN	
<p><b>A</b></p>	DRAWING NO.	SHEET
	TAF18	1 of 1
		REV.
		3