



FAN SELECTION And PERFORMANCE

Your Cincinnati Fan Representative:
 Thomas G. Todd
 Todd Air Solutions
 P.O. Box 4245
 Salisbury NC 28145
 704-630-1101 Phone
 704-630-0528 Fax
 ttodd@toddas.com

Friday, May 11, 2012

Job Name: AVANI ENVIRONMENTAL
 Reference: Quote: 215832

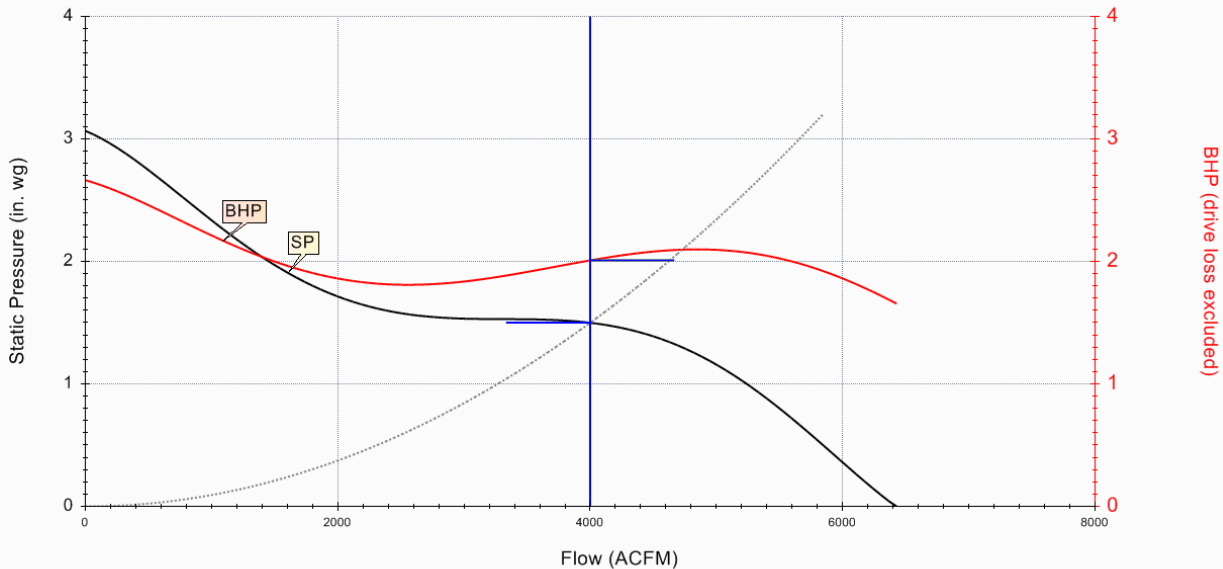
Operating Requirements

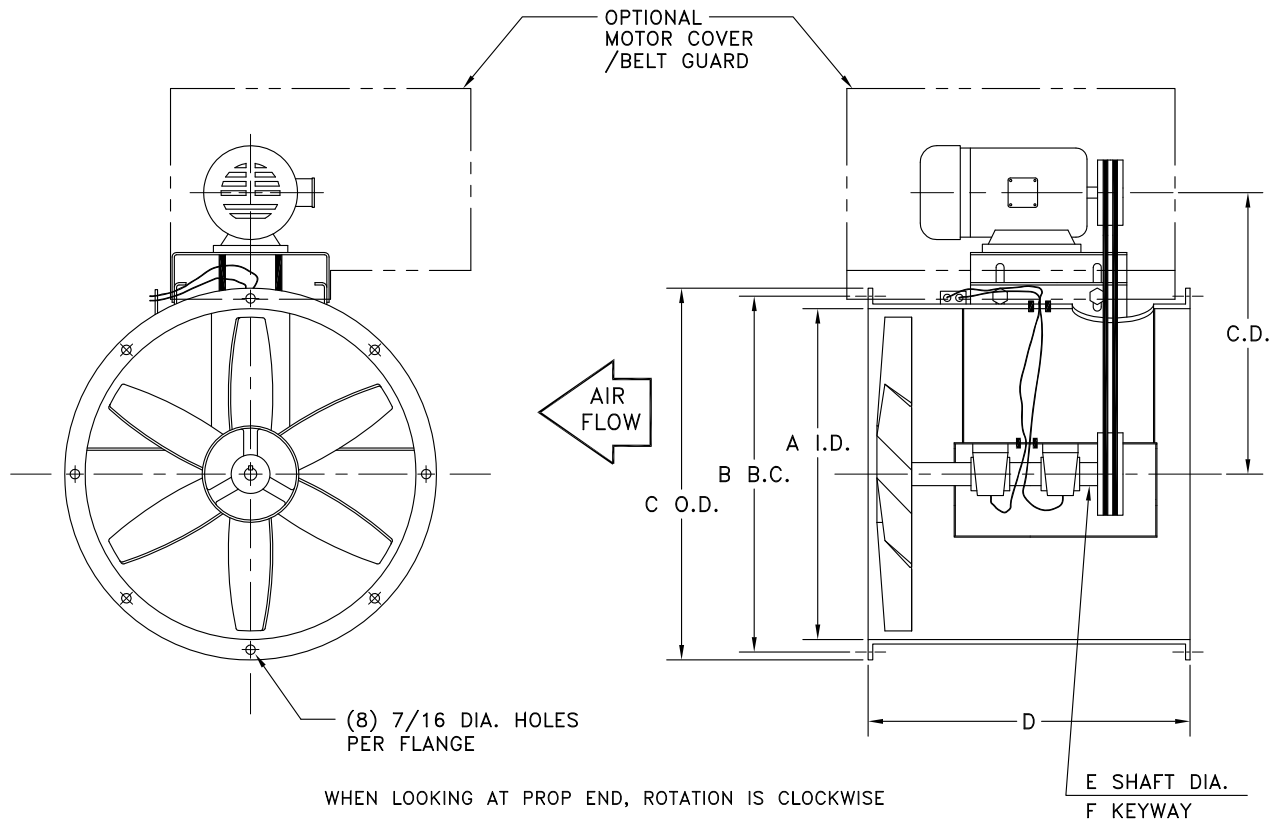
Volume, ACFM	4,000
Static Pressure, in. wg	1.5
Density, lb./ft. ³	0.075
Operating Temperature, °F	70
AMCA Arrangement No.	9
Motor Frequency, Hz	60
Start-Up Temperature, °F	70

Fan Selection and Specifications

Model	TAF-18	
Fan RPM	2,827	
Wheel Description	18/6-12/35	
Wheel Width, %	100%	
Wheel Diameter, in.	17.75	
Inlet Diameter, in.	18.00	
Outlet Velocity, ft./min.	2,263	
Fan BHP	2.01	Suggested Motor HP: 3.0
Static Efficiency, %	47.0%	
Cold Start BHP	2.01	
Construction Class	N/A	

Cincinnati Fan Model TAF-18 with 18/6-12/35 Wheel (Full Width) @ 2,827 RPM
 Rating Point: 4,000 ACFM @ 1.5 in. wg SP, 0.075 lb./ft.³ Density, 2.01 BHP





MODEL	C.D. BELT CENTER DISTANCE									
	MOTOR FRAME SIZE									
	56		143T-145T		182T-184T		213T-215T		254T	
	MIN.	MAX.	MIN.	MAX.	MIN.	MAX.	MIN.	MAX.	MIN.	MAX.
TAF-12	11 ¹⁵ / ₁₆	13 ¹ / ₈	11 ¹⁵ / ₁₆	13 ¹ / ₈						
TAF-15	13 ⁷ / ₈	15 ¹ / ₁₆	13 ⁷ / ₈	15 ¹ / ₁₆	13 ⁵ / ₈	14 ¹³ / ₁₆				
TAF-18	15 ⁵ / ₈	16 ¹³ / ₁₆	15 ⁵ / ₈	16 ¹³ / ₁₆	15 ³ / ₄	16 ¹⁵ / ₁₆				
TAF-24	18 ⁹ / ₁₆	19 ³ / ₄	18 ⁹ / ₁₆	19 ³ / ₄	19 ⁹ / ₁₆	20 ³ / ₄	20 ³ / ₁₆	21 ³ / ₈		
TAF-30			21 ³ / ₄	23	22 ³ / ₄	24	23 ⁹ / ₁₆	24 ¹³ / ₁₆		
TAF-34			23 ¹⁵ / ₁₆	25 ³ / ₁₆	24 ¹⁵ / ₁₆	26 ³ / ₁₆	25 ¹¹ / ₁₆	26 ¹⁵ / ₁₆		
TAF-36			25	26 ¹ / ₄	26	27 ¹ / ₄	26 ³ / ₄	28		
TAF-42			27 ¹⁵ / ₁₆	29 ³ / ₁₆	28 ¹⁵ / ₁₆	30 ³ / ₁₆	29 ¹¹ / ₁₆	30 ¹⁵ / ₁₆	30 ⁵ / ₁₆	31 ⁵ / ₁₆
TAF-48					32 ³ / ₁₆	33 ⁷ / ₁₆	32 ¹⁵ / ₁₆	34 ³ / ₁₆	33 ¹³ / ₁₆	34 ¹³ / ₁₆

MODEL	A NOM. I.D.	B B.C. DIA.	C O.D.	D	E SHAFT DIA.	F KEYWAY
TAF-12	12	13-1/8	14-1/16	20	1	1/4
TAF-15	15	16-1/8	17-1/16	20	1	1/4
TAF-18	18	19-1/8	20-1/16	20	1	1/4
TAF-24	24	25-13/16	26-11/16	21	1-3/16	1/4
TAF-30	30	31-3/4	32-11/16	22	1-7/16	3/8
TAF-34	34	35-11/16	37-1/4	26	1-7/16	3/8
TAF-36	36	37-7/8	39-1/4	28	1-7/16	3/8
TAF-42	42	43-9/16	45-1/4	29	1-7/16	3/8
TAF-48	47-3/4	49-5/8	51	31	1-7/16	3/8
TAF-48	47-3/4	49-5/8	51	31	1-15/16	1/2

- NOTES:
- PILLOW BLOCK BEARINGS WITH EXTENDED GREASE LINES.
 - STANDARD CONSTRUCTION IS MILD STEEL WITH GALVANIZED STEEL BEARING COVER. OPTIONAL STAINLESS STEEL CONSTRUCTION INCLUDES STAINLESS STEEL BEARING COVER.
 - ANGLE RING CONSTRUCTION IS STANDARD ON TAF-48 MODELS; OTHER SIZES HAVE ROLLED FLANGES.