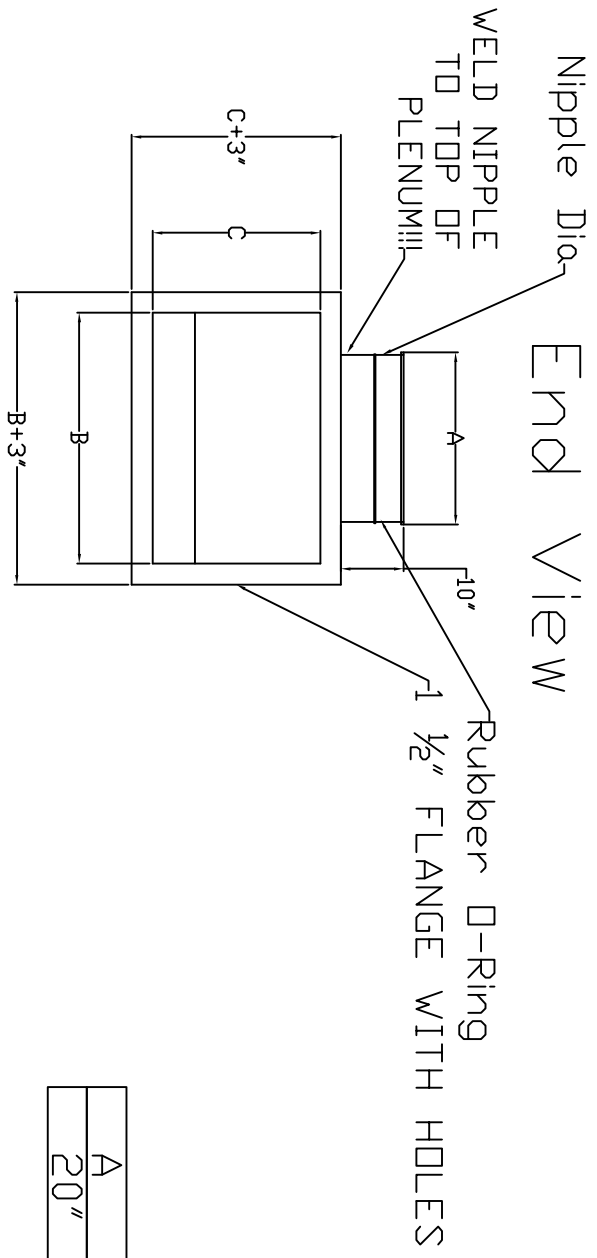


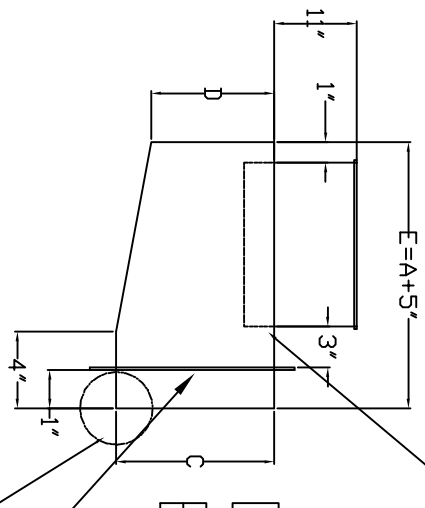
Plenum Box



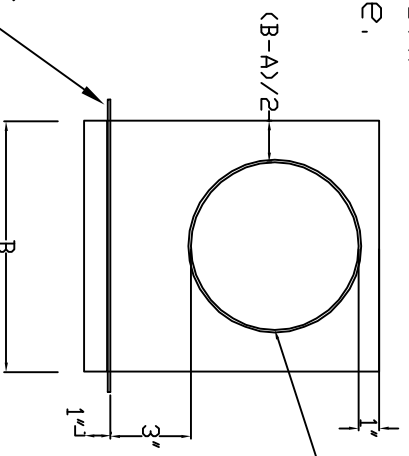
- NOTES:
- A) MATERIAL: 18 GA. GALV.
 - B) ALL SEAMS WELDED
 - C) Use standard bolt hole pattern with 7/16" Holes
 - D) For QF Collar, make it the diameter of a nipple

A	B	C	D	E
20"	26"	14"	10"	25"

Side View



Top View



Extend raw end of nipple 1" into box. Weld from inside.

Open End

NOTE: WELD ALL CORNERS ON BOTTOM INSIDE THE PLENUM!!!!

QF FITTING
A dimension
Make Nipple Dia.

Industrial Air Quality	
904 Mosswood Blvd	Suite 100
P# 919-562-7181	F# 919-562-7182
Project: Absolent Plenum Box	
Date: 10/10/03	
Revision: 3/22/05 RAV	
Sheet: 1 OF 1	Drawn by: RAV

This document was created with Win2PDF available at <http://www.win2pdf.com>.
The unregistered version of Win2PDF is for evaluation or non-commercial use only.
This page will not be added after purchasing Win2PDF.