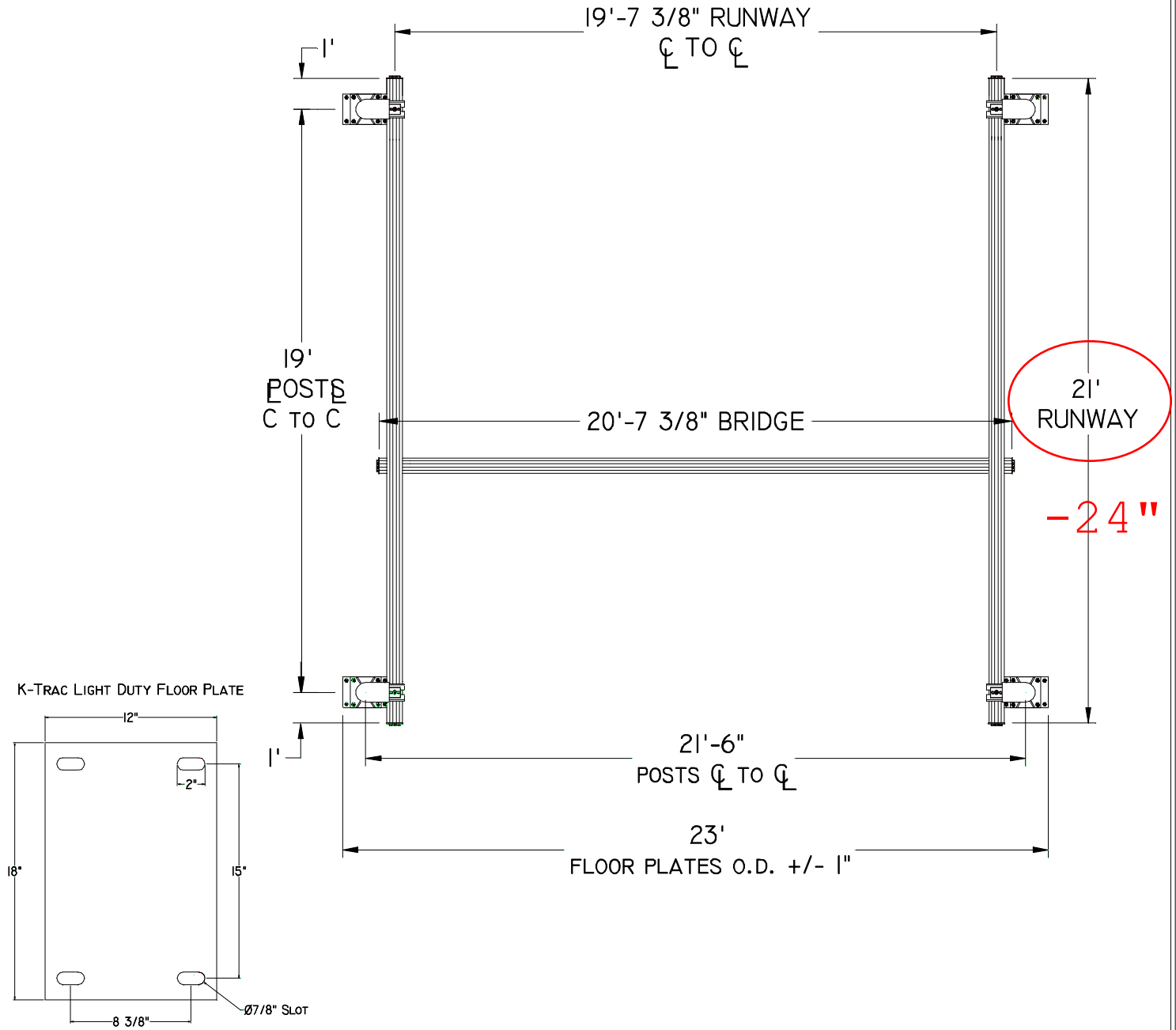


**NOTE TO INSTALLER: PLEASE VERIFY ALL DIMENSIONS ON PRINT. INSTALLATION PROCEEDURE SHOULD ALSO BE TAKEN INTO ACCOUNT. ANY DISCREPANCY IN LAYOUT DRAWING TO INSTALLATION INSTRUCTIONS SHOULD BE REPORTED TO KUNDEL IND. INC. PRIOR TO INSTALLATION.**



RECOMMENDED ANCHOR SIZE: 3/4" X 6" WEDGE ANCHOR

# TOP VIEW

DIMENSION APPROVAL \_\_\_\_\_ DATE: \_\_\_\_\_

NOTE: PLEASE LABEL INCOMING ELECTRIC.

**Kundel**  
INDUSTRIES  
Giving Movement to Industry

TRACK:	NAPLD KI2 KI2	QUOTE NO.:	11049-KS
CAPACITY:	1000LBS.	DRAWN BY.	WL
WORK AREA:	20'7-3/8" X 21'	DATE:	07/29/2011
CUSTOMER:	AVANI ENVIRONMENTAL	SCALE:	N/A
		REV. No.	



AVANI ENVIRONMENTAL  
95 CYPRESS DRIVE  
YOUNGVILLE NC 27596  
PHONE: (919) 570-2862  
FAX: (919) 570-2863

THIS DRAWING AND ITS PRINCIPLES AND ELEMENTS ARE THE EXCLUSIVE PROPERTY OF KUNDEL INDUSTRIES, INC. AND ARE NOT TO BE COMMUNICATED, DISCLOSED, REPRODUCED OR USED EXCEPT AS PREVIOUSLY AUTHORIZED IN WRITING BY KUNDEL INDUSTRIES, INC. AND MUST NOT BE SUBMITTED TO OUTSIDE PARTIES FOR EXAMINATION WITHOUT THE CONSENT OF KUNDEL INDUSTRIES, INC.

NOTE: CRANE SYSTEM PRODUCTION AND ESTIMATED COMPLETION DATE BEGINS PER APPROVED DRAWINGS TRANSMITTED VIA FAX AND CONFIRMED BY KUNDEL IND.