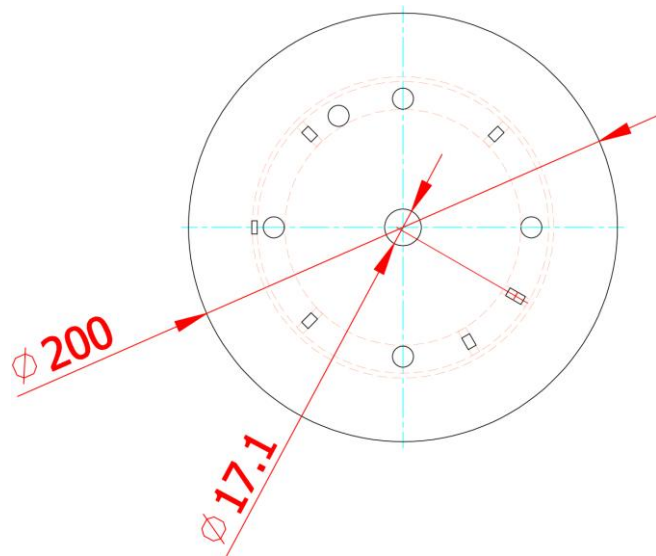


#	Number	Q'ty	Material	Construction gauge steel m/m
1	1-A	1	Iron	3.0
	1-B	1	Iron	2.3
	1-C	4	Iron	4.0
	1-D	1	Iron	4.0
	1-E	4	Iron	ψ 16x30mm
	1-F	1	Iron	ψ 16x33mm



**1-A**



**1-B**



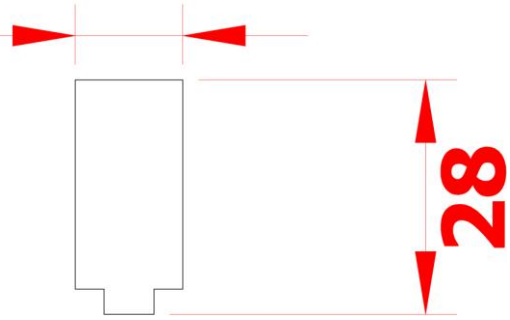
**welding**

**1-A**

**1-B**

**1-C**

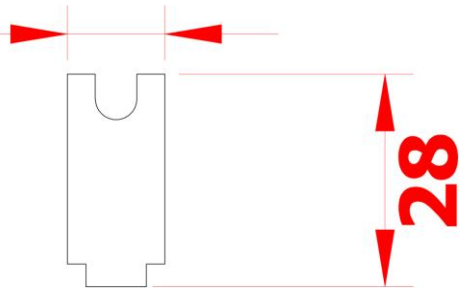
**12.9**



**welding**

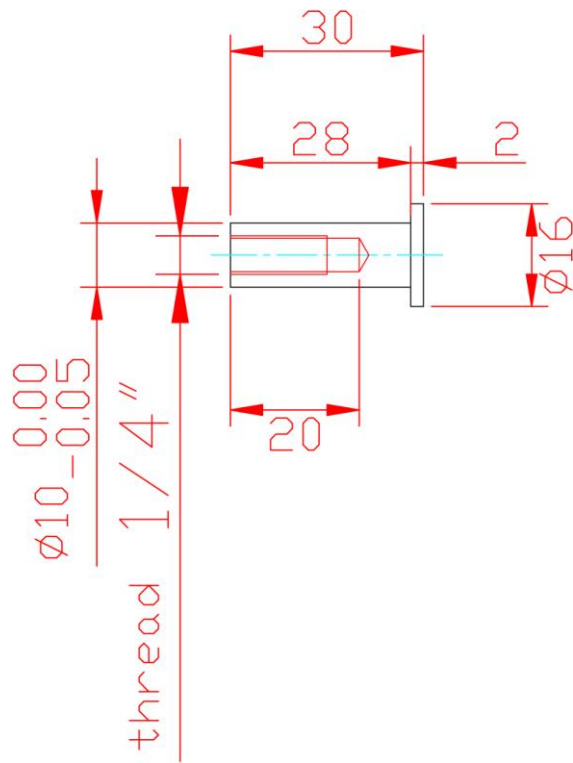
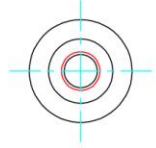
**1-D**

**12.9**

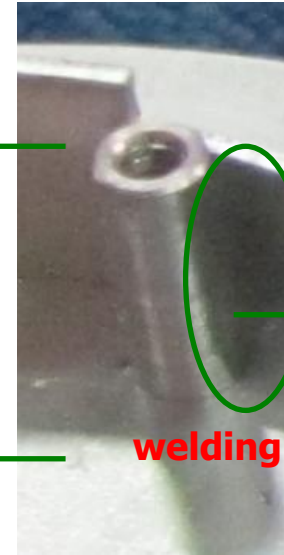


**welding**

**1-E**



**1-A**



**1-E**

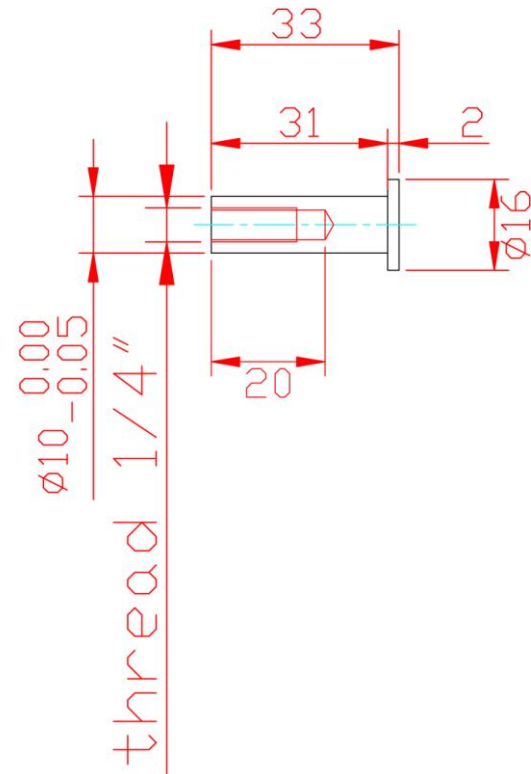
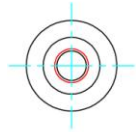


**1-B**

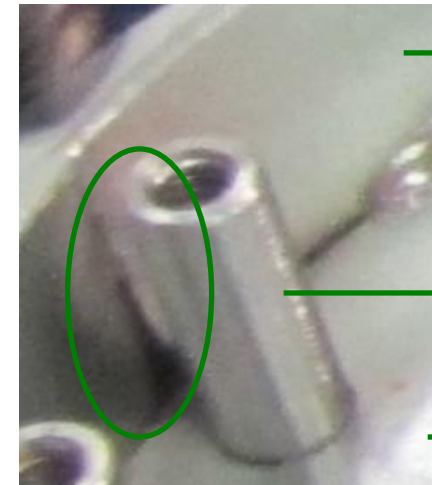


welding

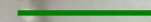
**1-F**



**1-A**



**1-F**

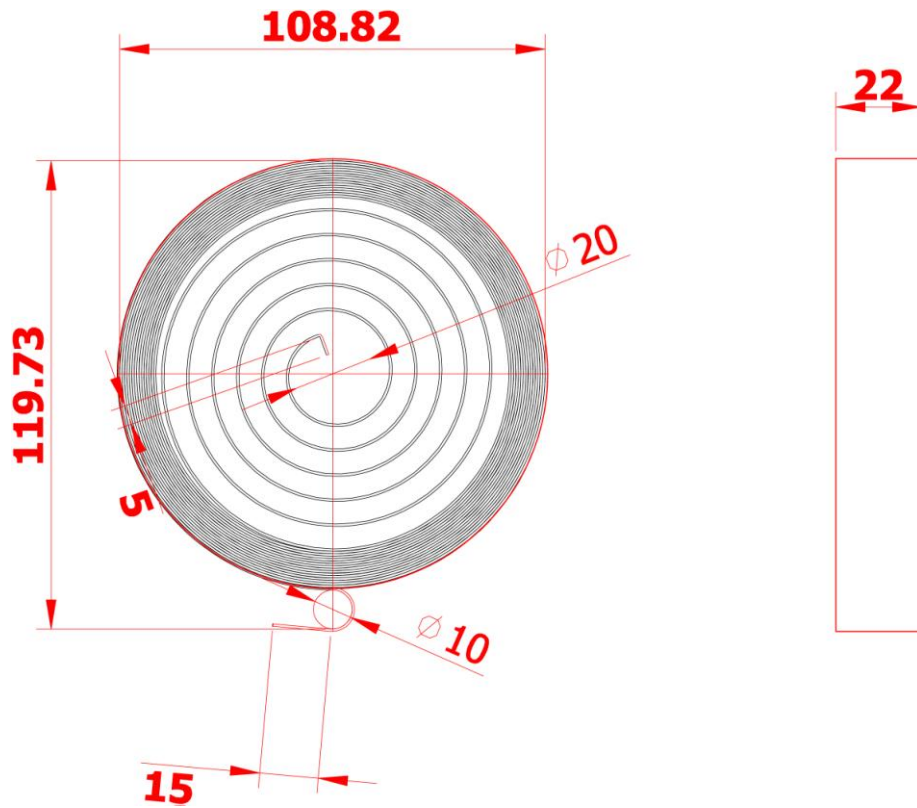


**1-B**

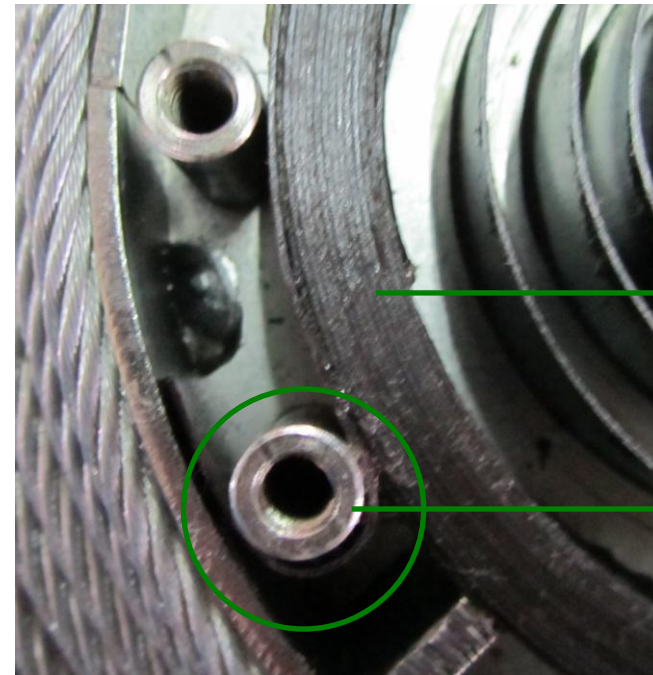


welding

#	Number	Q'ty	Material	Specification
2	2-A	1	Steel	0.6x22x20x5.6M
	2-B	1	Iron	ψ 20x60mm



2-A

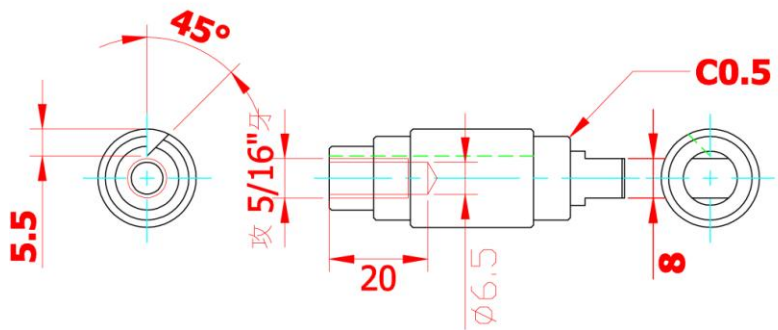
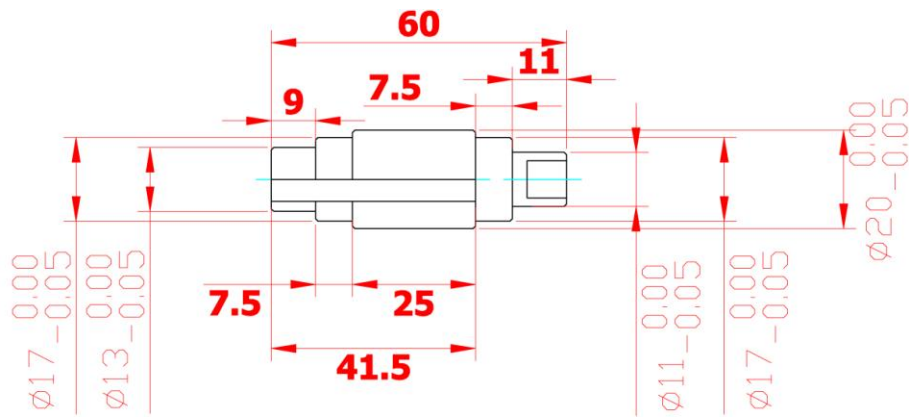


2-A

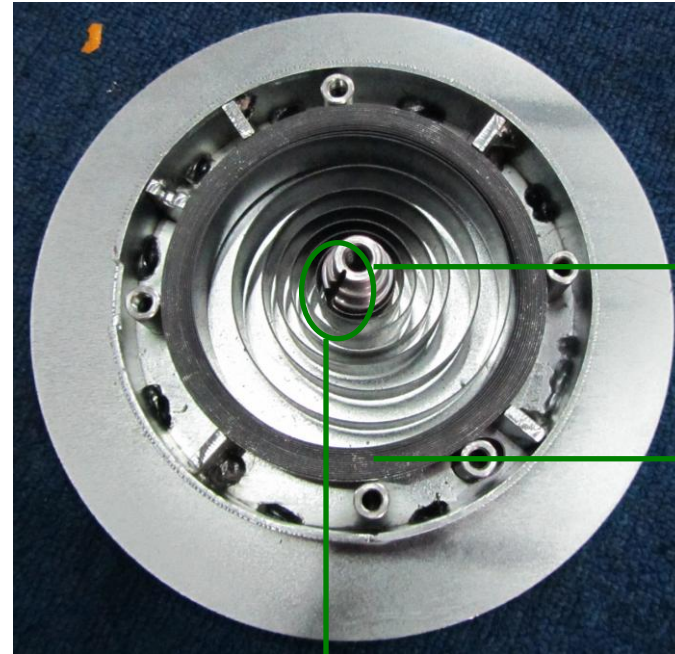
1-F

connecting





**2-B**



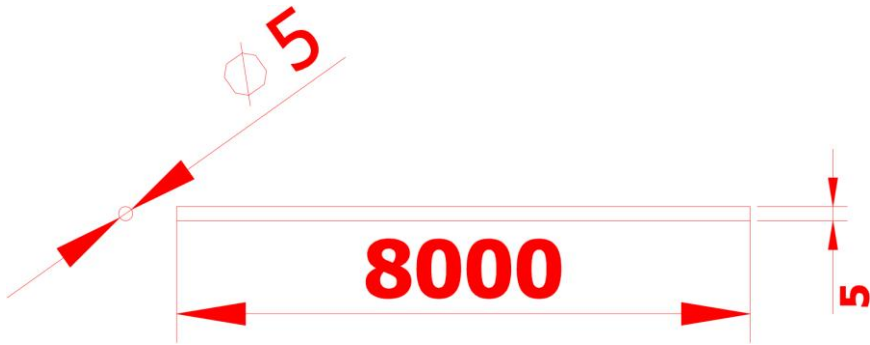
**2-B**

**2-A**



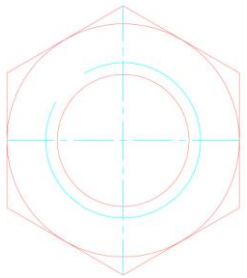
**connecting**

#	Number	Q'ty	Material	Specification
3	3-A	1	6x24	ψ 5x8000mm
	3-B	2	Iron	1/4"

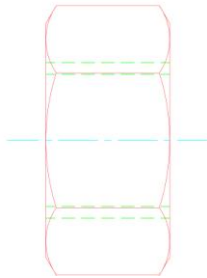


**3-A**

**Hex Nut: 1/4"**



**3-B**



**connecting**



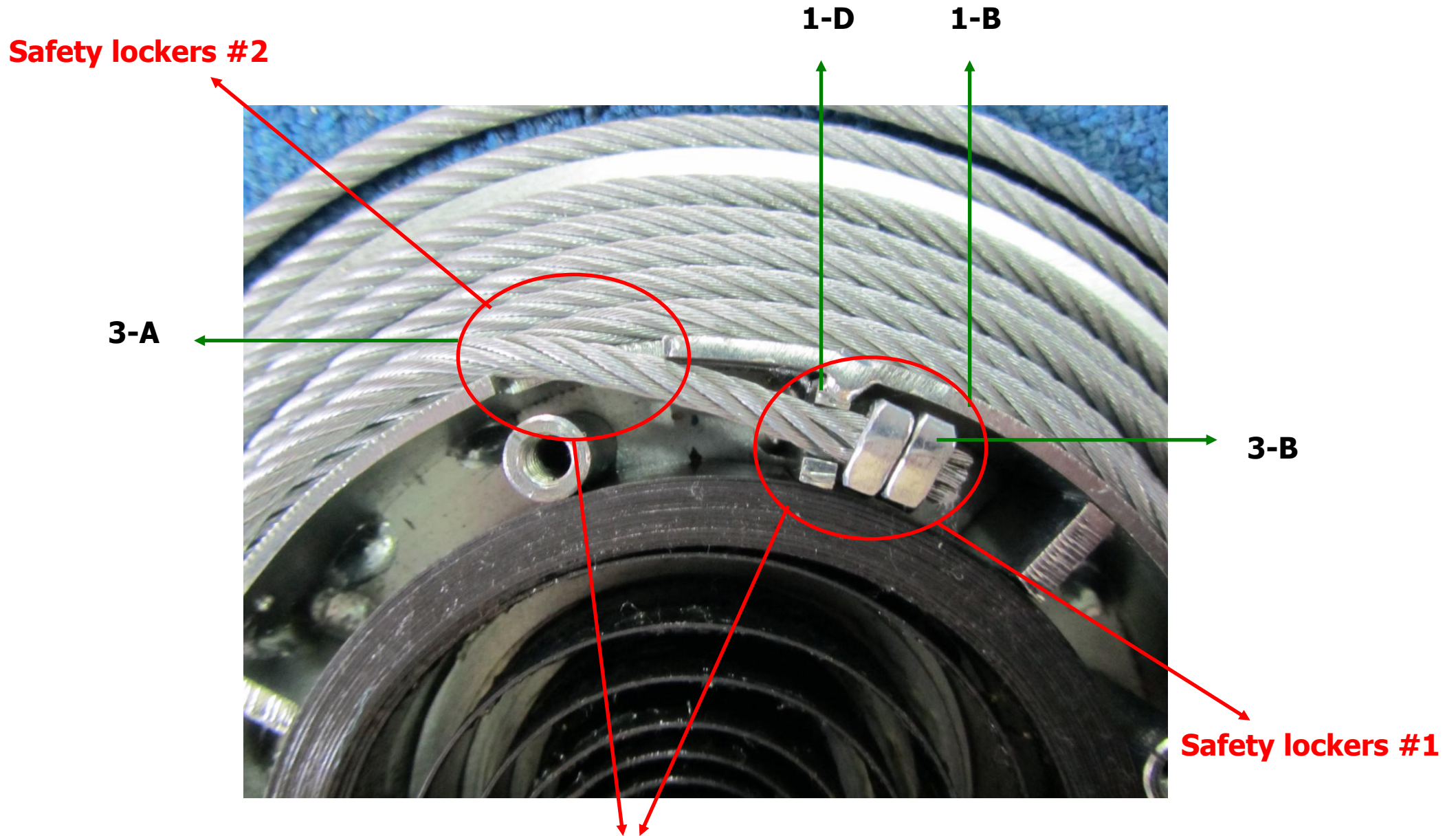
**connecting**



**3-A**

**3-B**



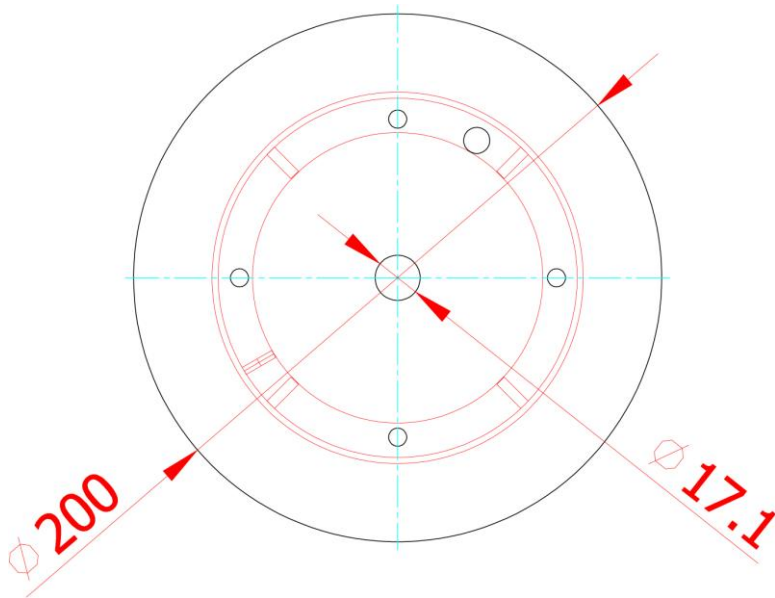


**Cable reel: it has (3) safety lockers (#1, 2, 3) that the cable will stop when all the cable is reeled out.**

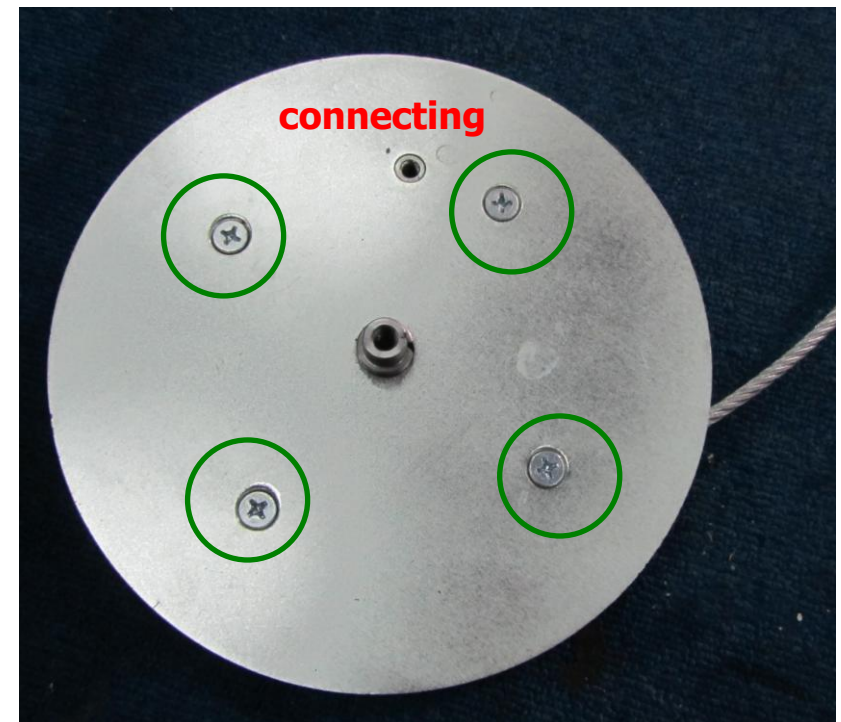
#	Number	Q'ty	Material	Specification
4	4-A	1	Iron	3.0



**4-A**

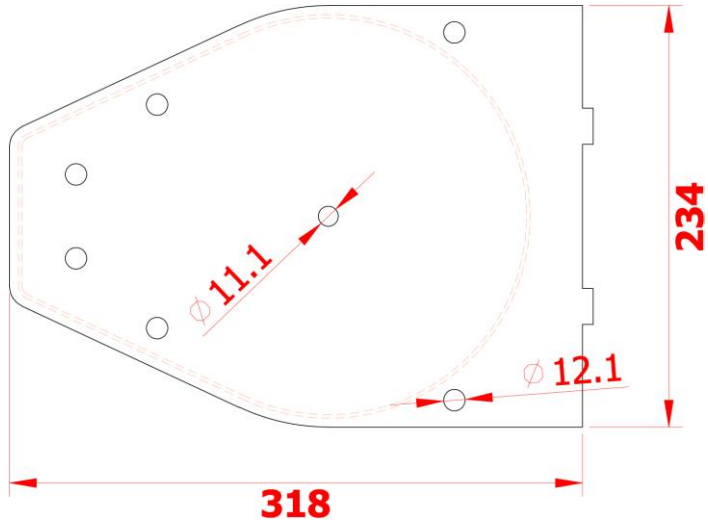


Part Number	Specification	Q'ty
Countersunk Phillips Head Screw	1/4"x3/4"	4

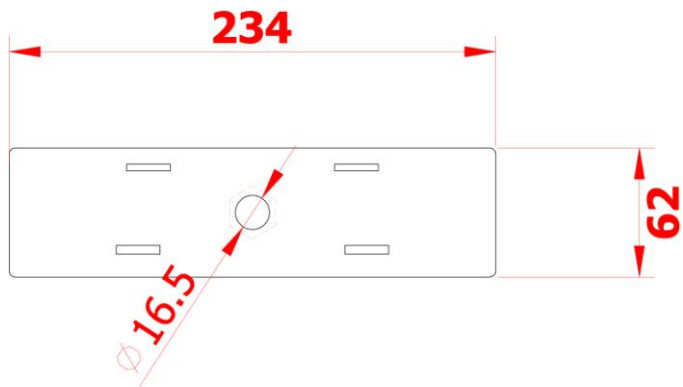




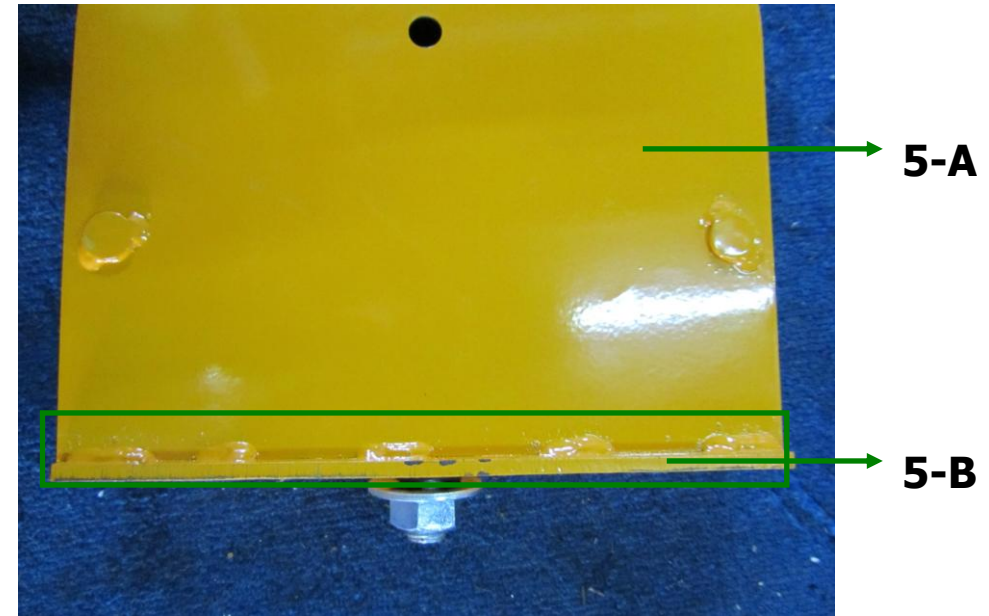
#	Number	Q'ty	Material	Construction gauge steel m/m
5	5-A	1	Iron	3.0
	5-B	1	Iron	5.0
	5-C	1	Iron	4.0
	5-D	1	Iron	2.0
	5-E	6	Iron	ψ 16x45mm



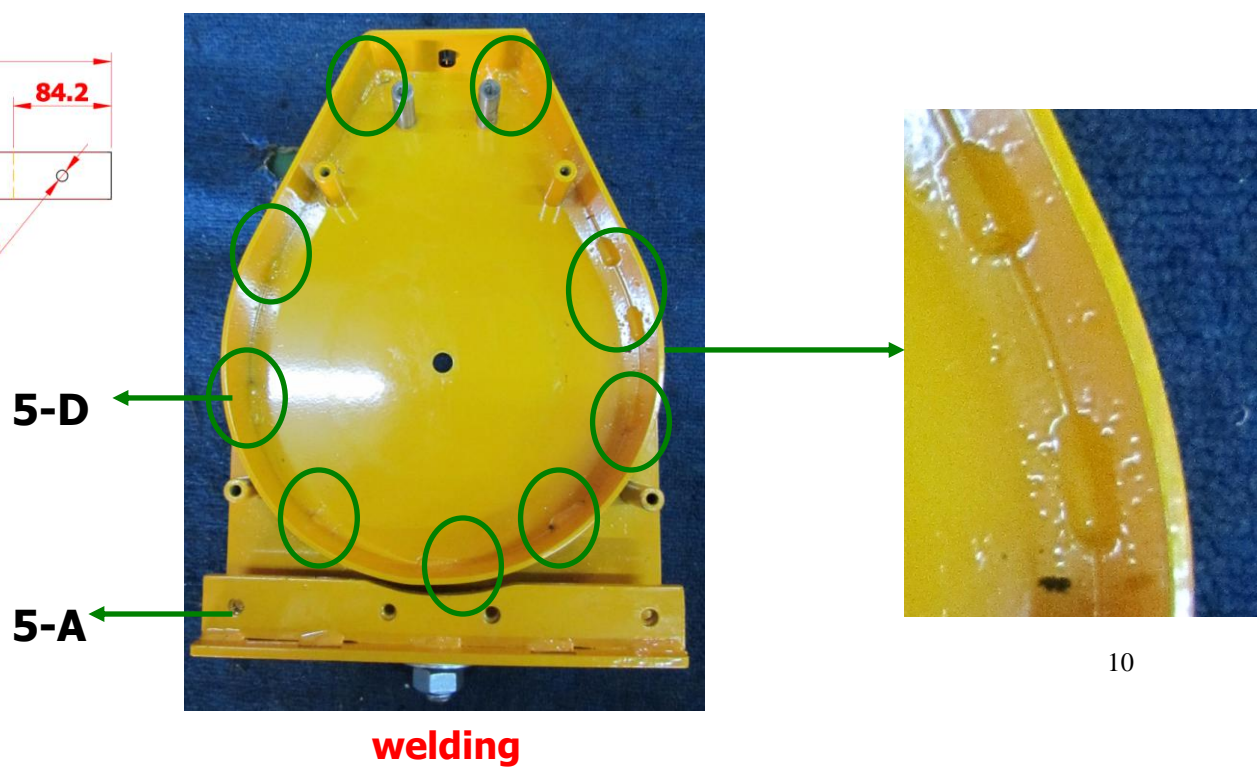
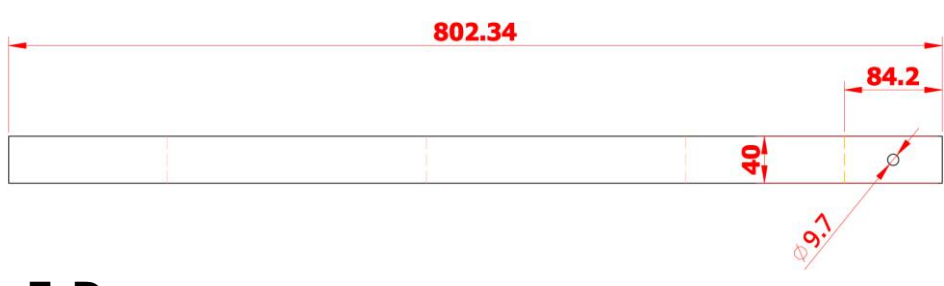
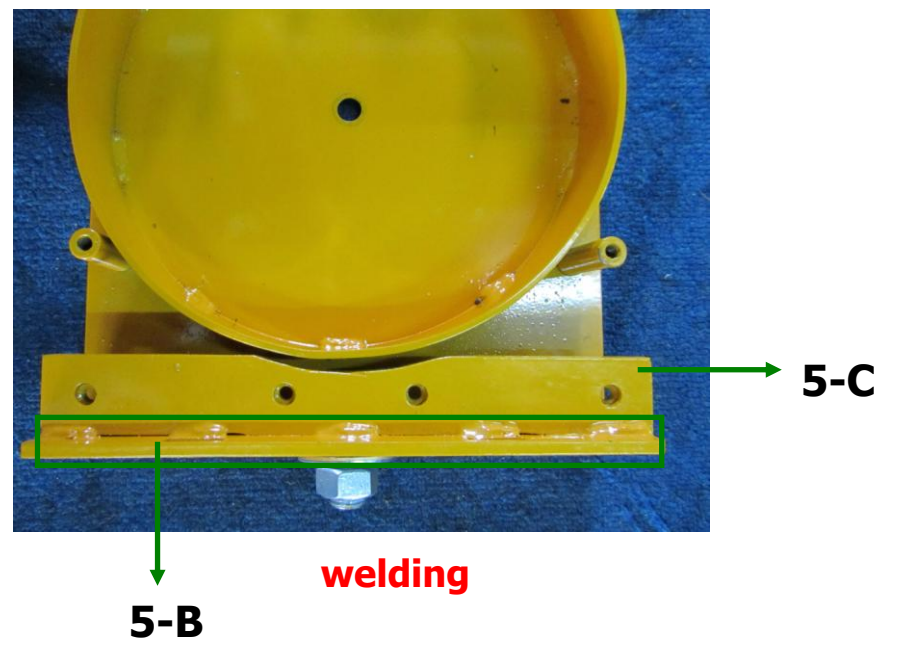
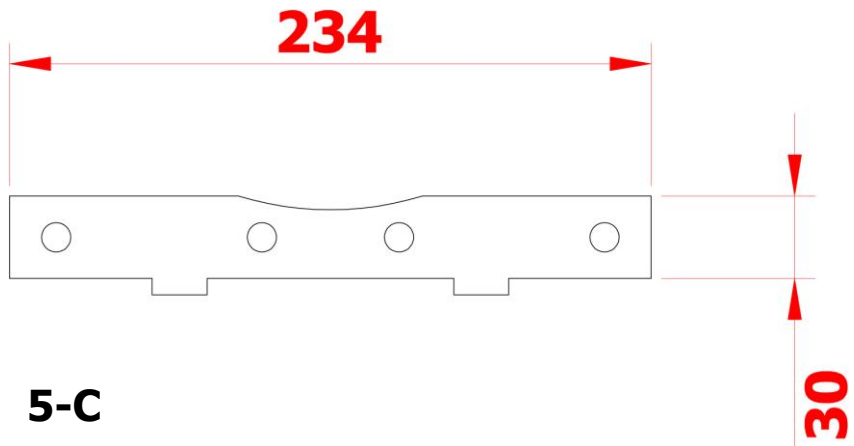
**5-A**



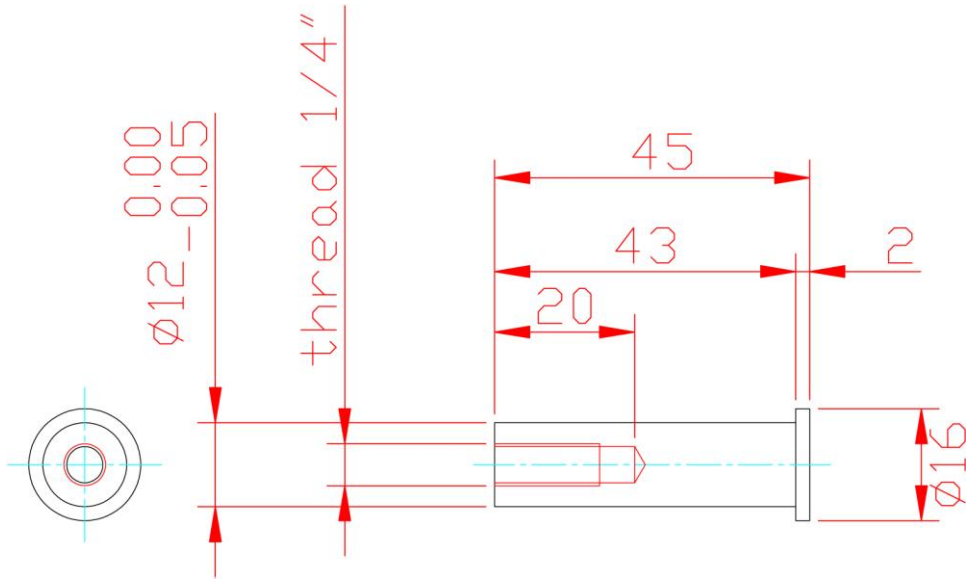
**5-B**



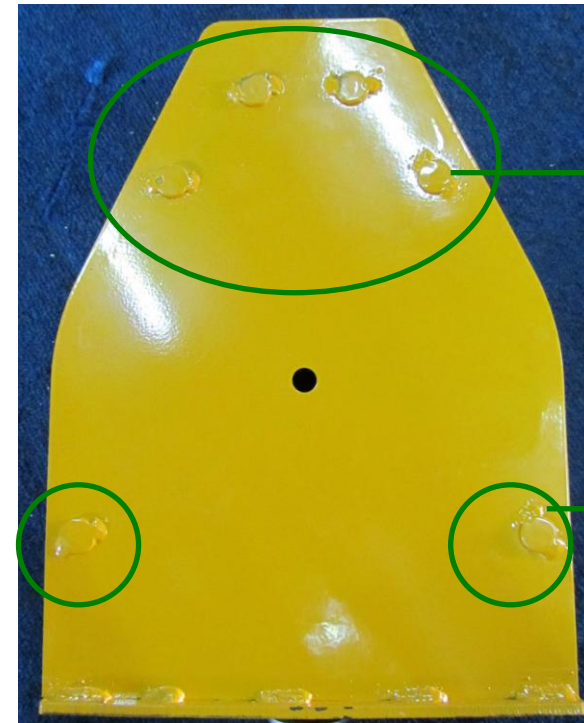
**welding**



**5-E**

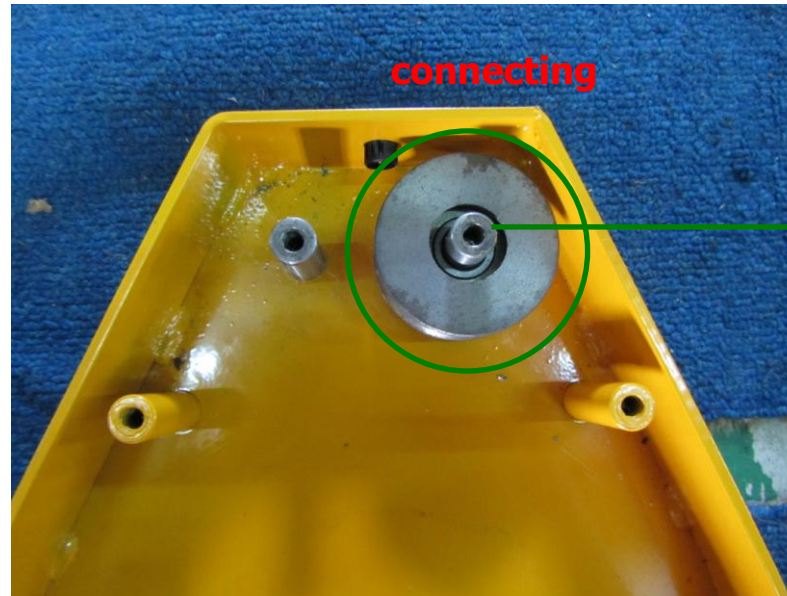


**welding**



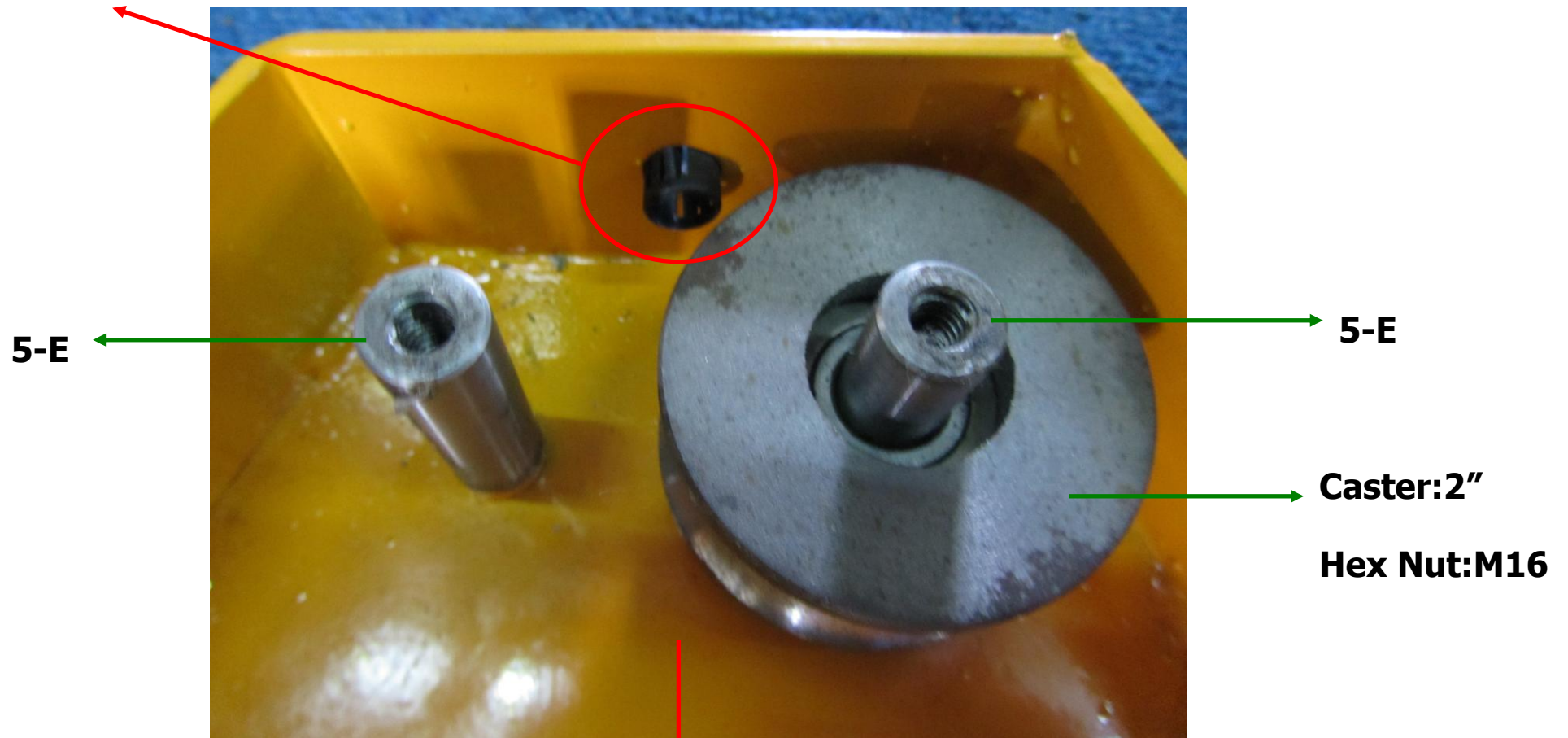
Part Number	Specification	Q'ty
caster	2"	1
Hex Nut	M16	1

**connecting**



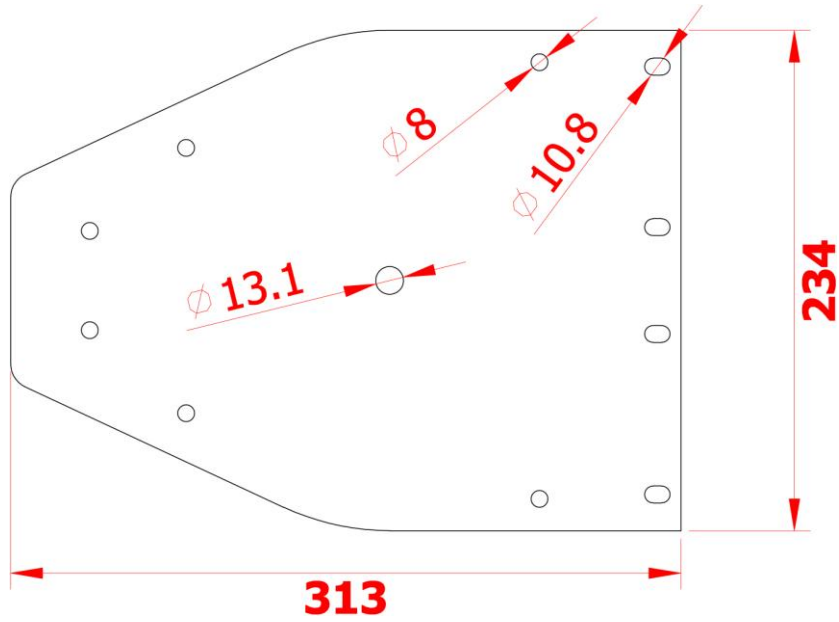


**Safety lockers #3**



**Cable reel: it has (3) safety lockers (#1, 2, 3) that the cable will stop when all the cable is reeled out.**

#	Number	Q'ty	Material	Specification
6	6-A	1	Iron	3.0



**6-A**



#	Part Number	Specification	Q'ty
A	Wire rope clips	1/2"	1
B	Hex Screw	5/16" x 3/4"	1
	Flat Washer	5/16" x OD23 x 2T	1
	Lock Washer	5/16"	1
C	Hex Screw	1/4" x 5/8"	10
	Flat Washer	1/4" x OD19 x 2T	10
D	Hex Screw	5/8" x 1-1/2"	1
	Flat Washer	5/8"	1
	Hex Nut	5/8"	1

