
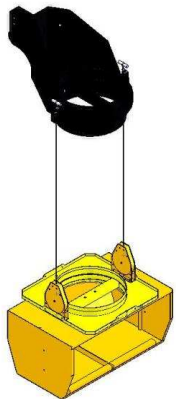
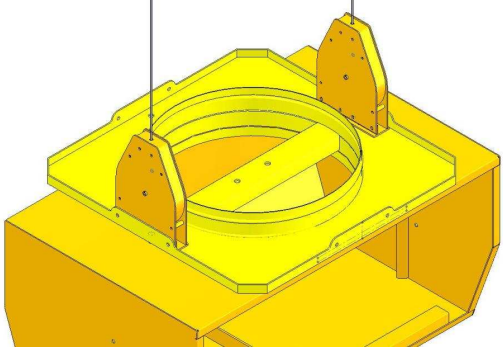
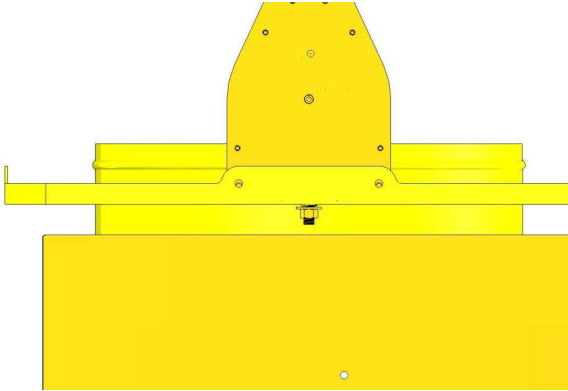
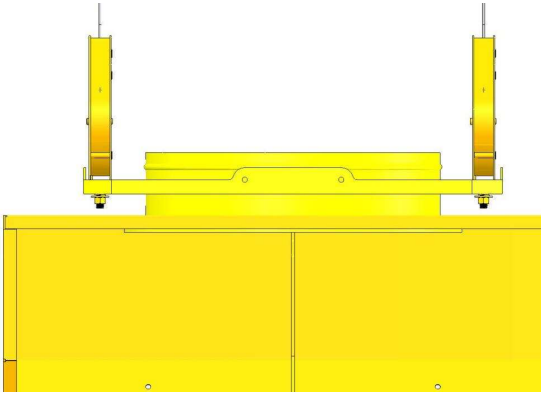


# AVANI Motorized Boom

## Assembly Procedure for Cable Reel

1. 
2. 
3. 
4. 
5.   
Assembly completed.

Please read and save these instructions. Read carefully before attempting to assemble, install, operate or maintain the product described. Protect yourself and others by observing all safety information. Failure to comply with instructions could result in personal injury and/or property damage! Retain instructions for future reference.

