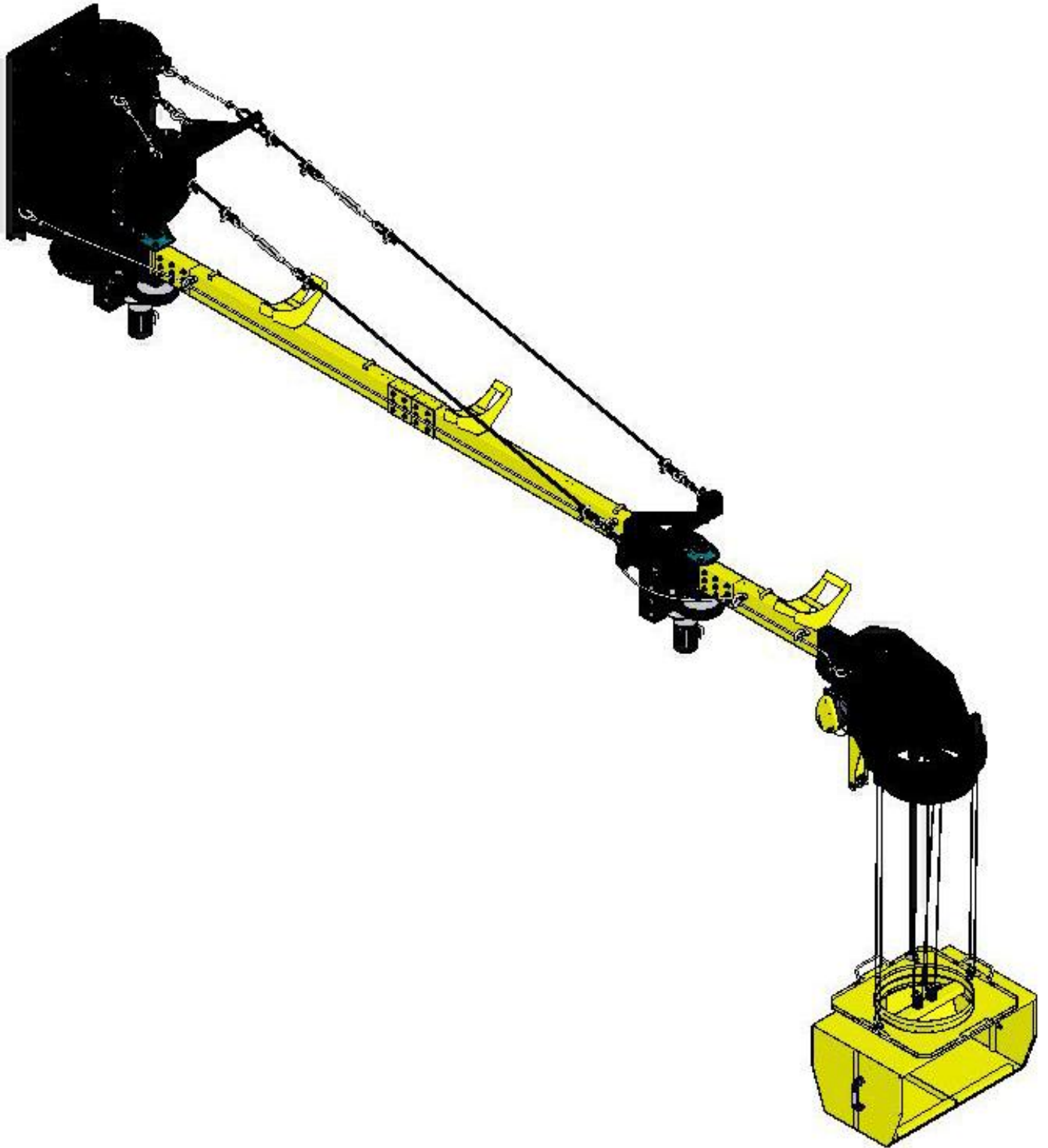
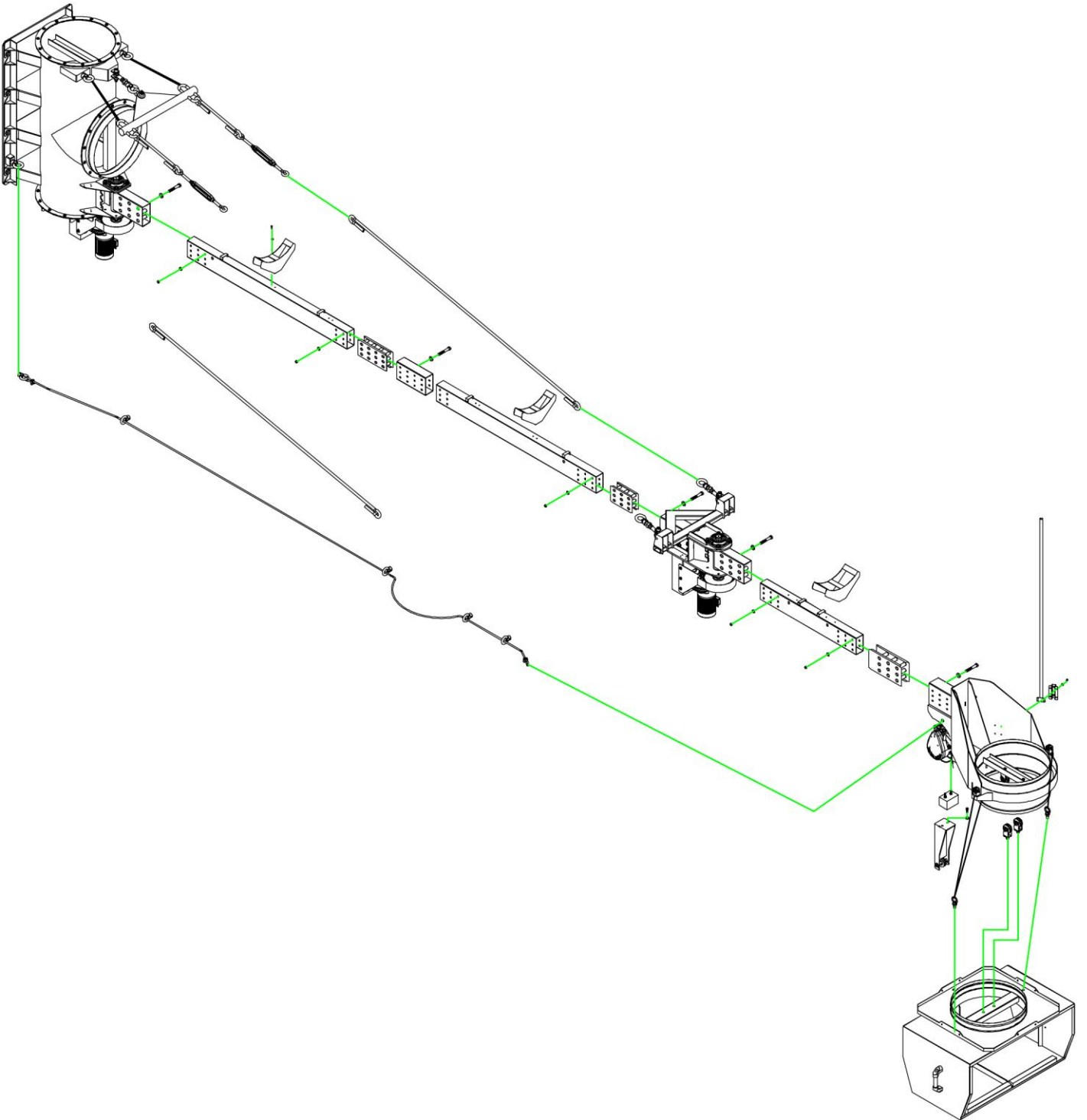


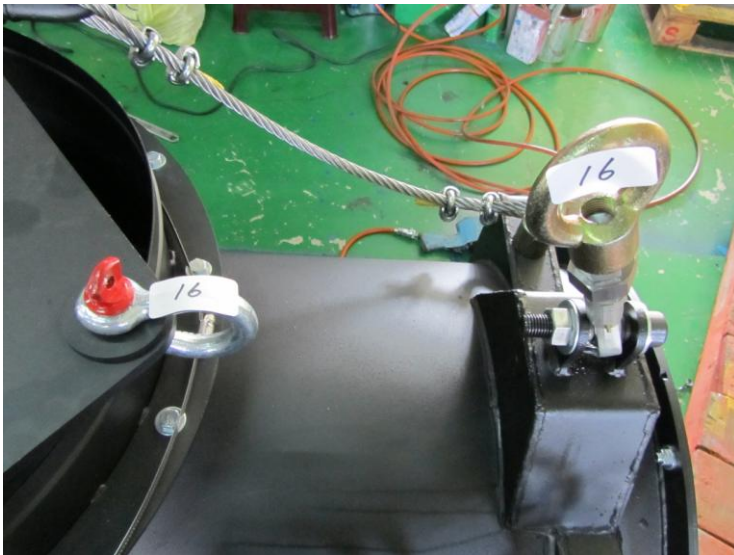
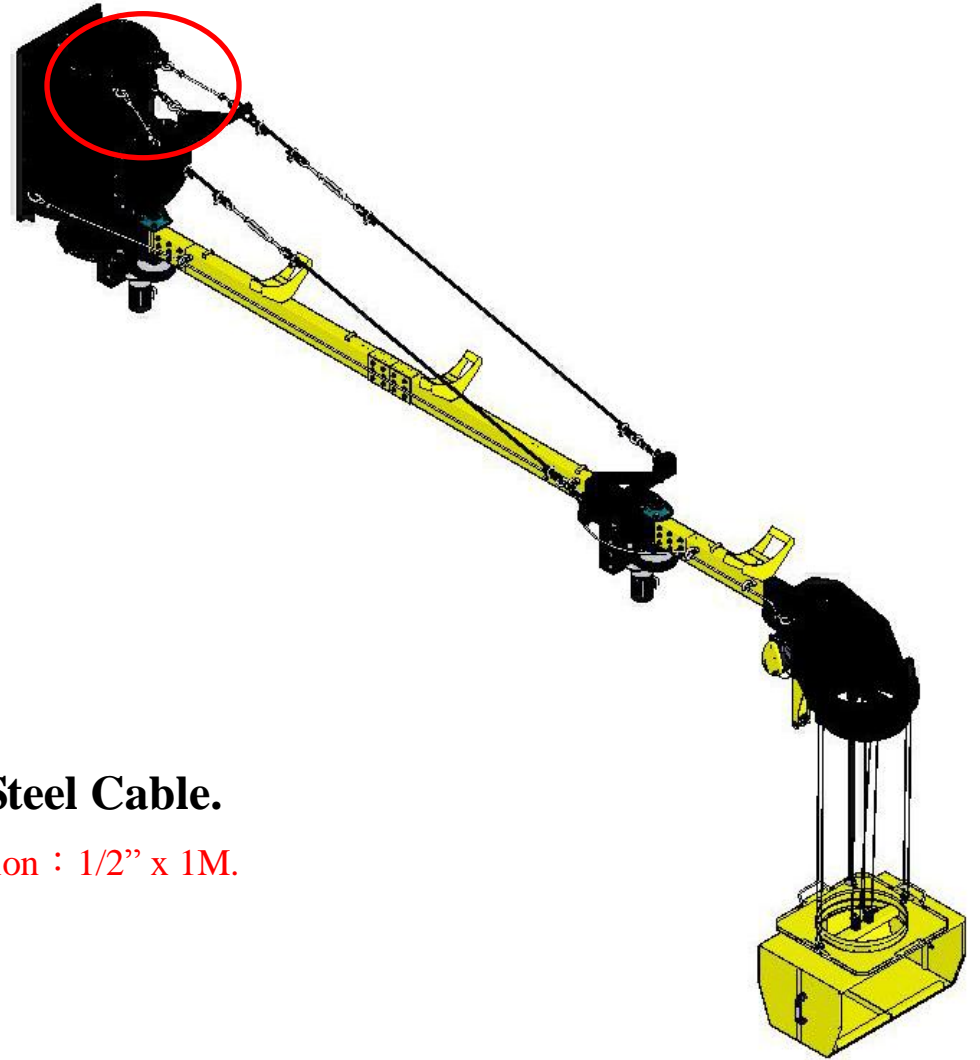
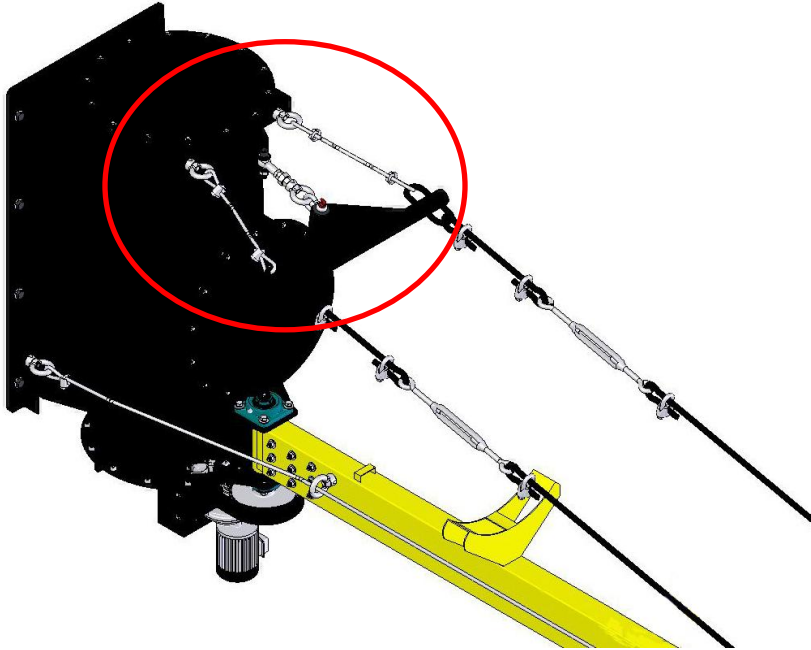
BAY-9



BAY-9

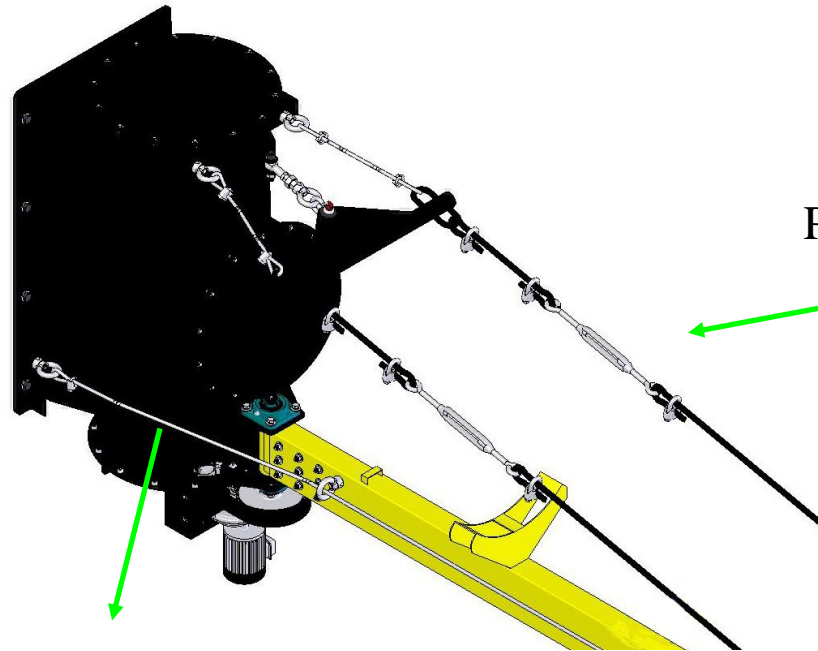


BAY-9



- **Safety Steel Cable.**
Specification : 1/2" x 1M.

BAY-9

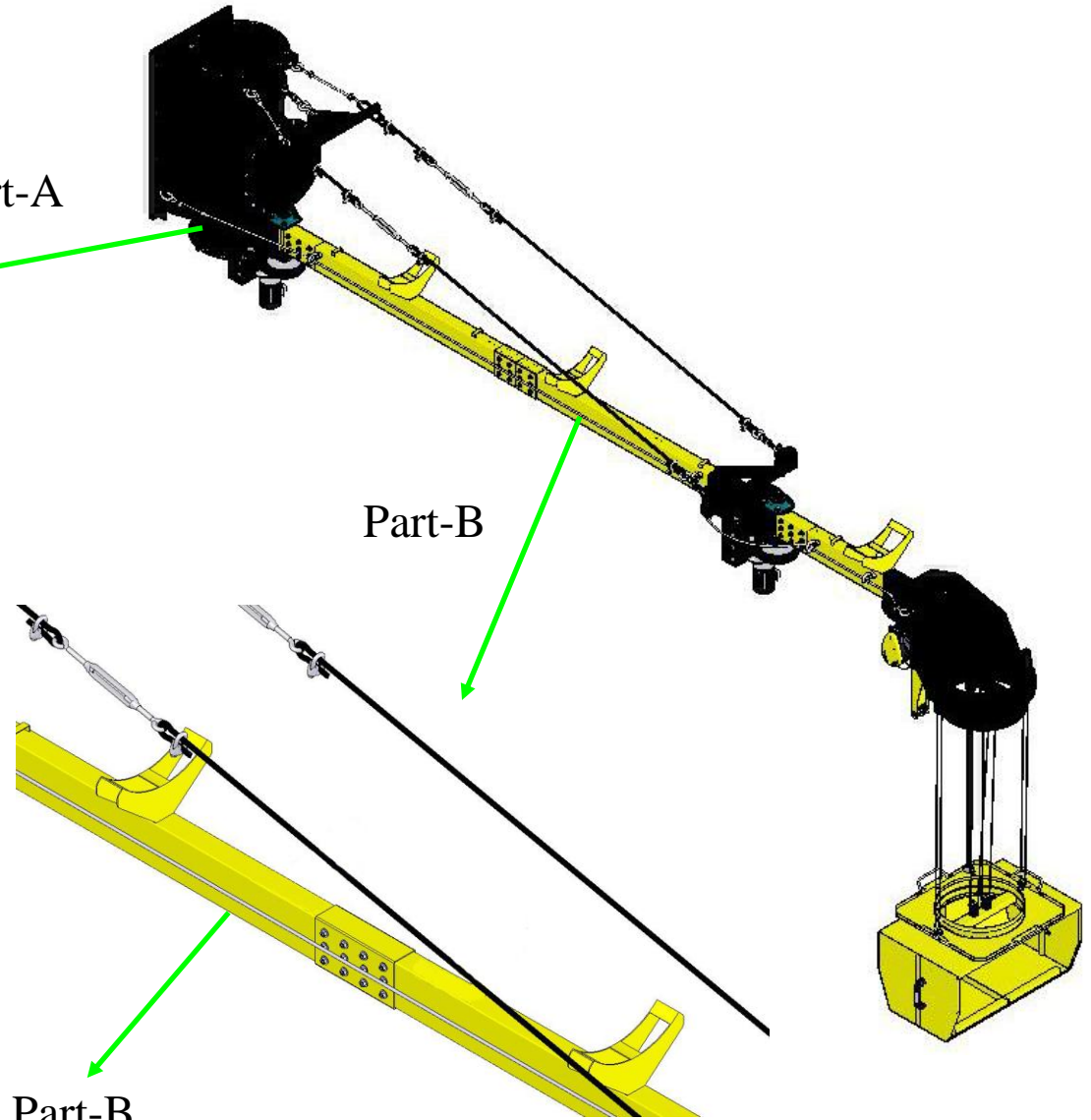


Part-A

Part-A

➤ **Safety Steel Cable.**

Specification : 1/2" x 10M.

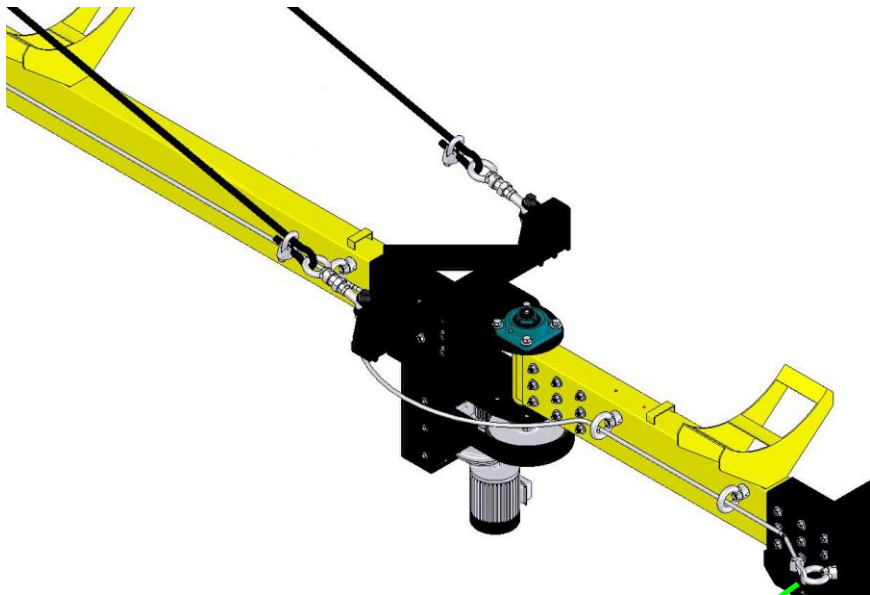


Part-B

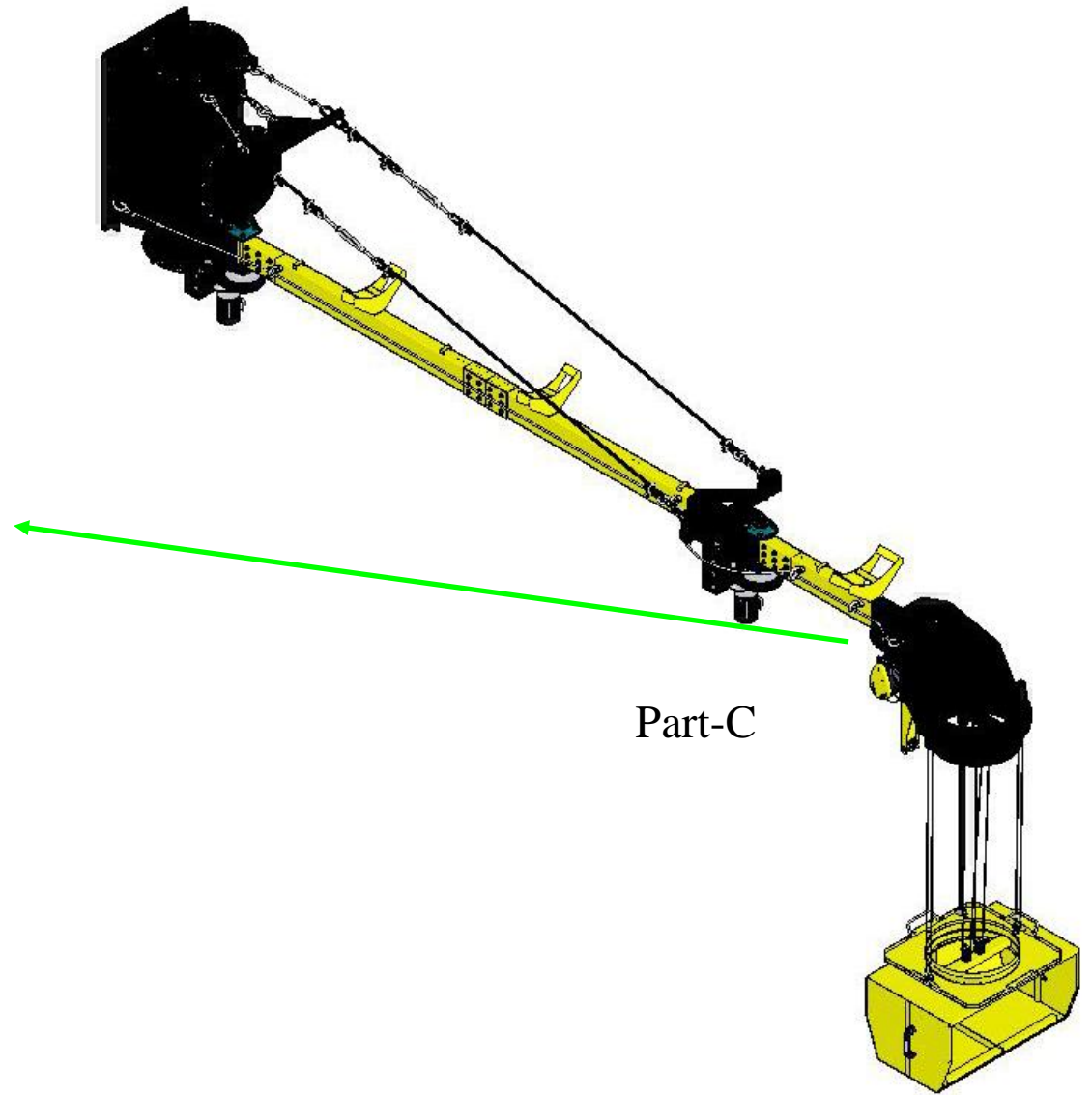
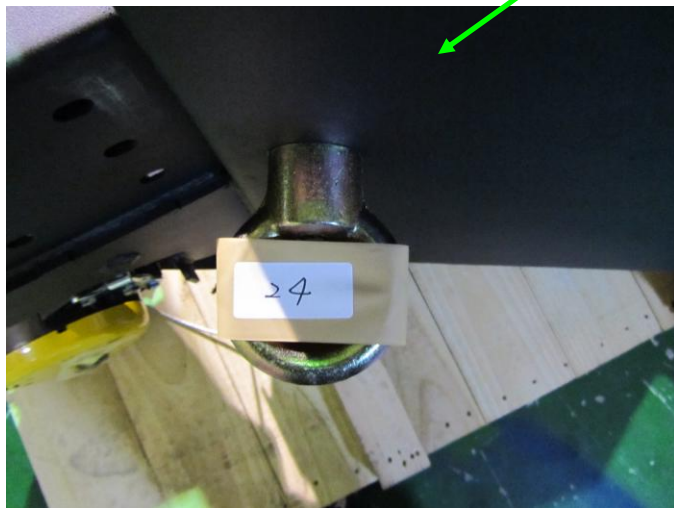
Part-B



BAY-9

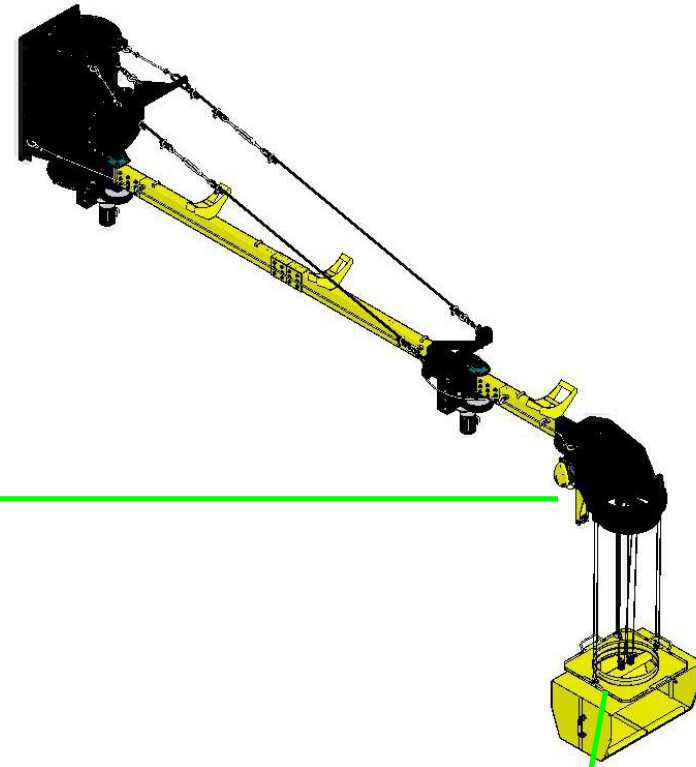
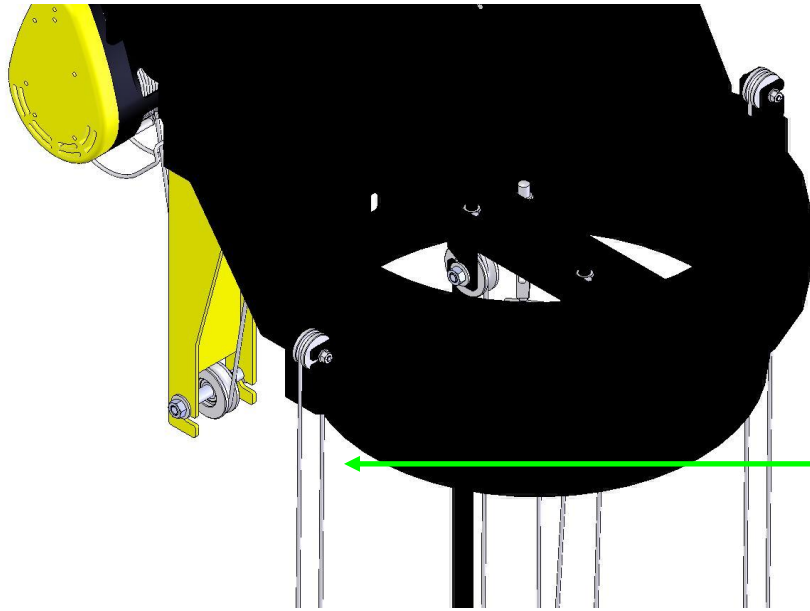


Part-C



Part-C

BAY-9

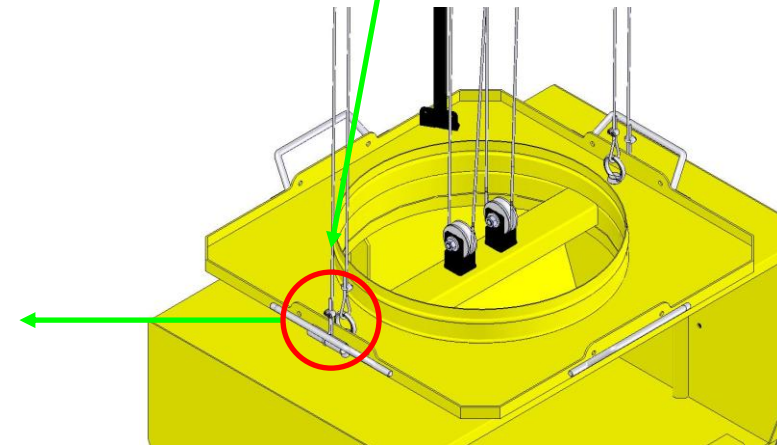


➤ **Safety Steel Cable.**

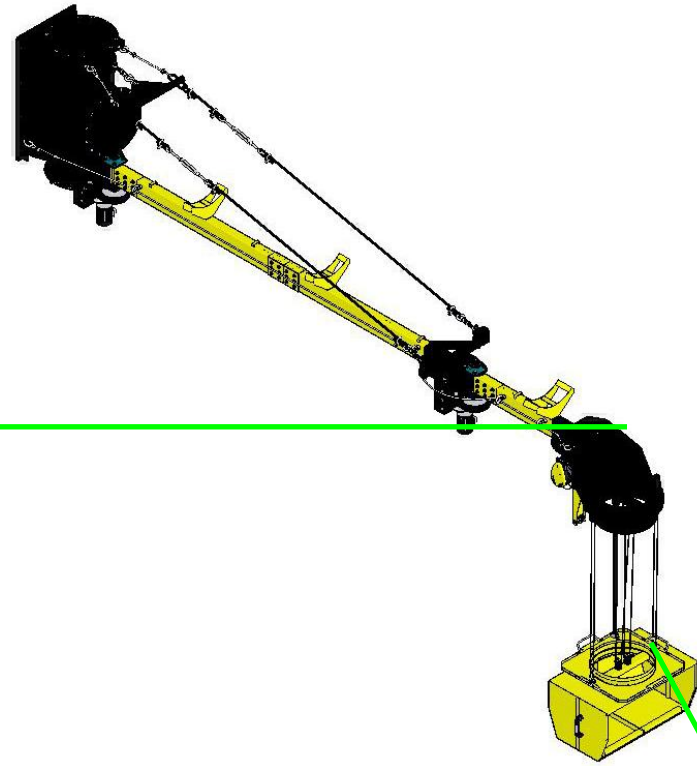
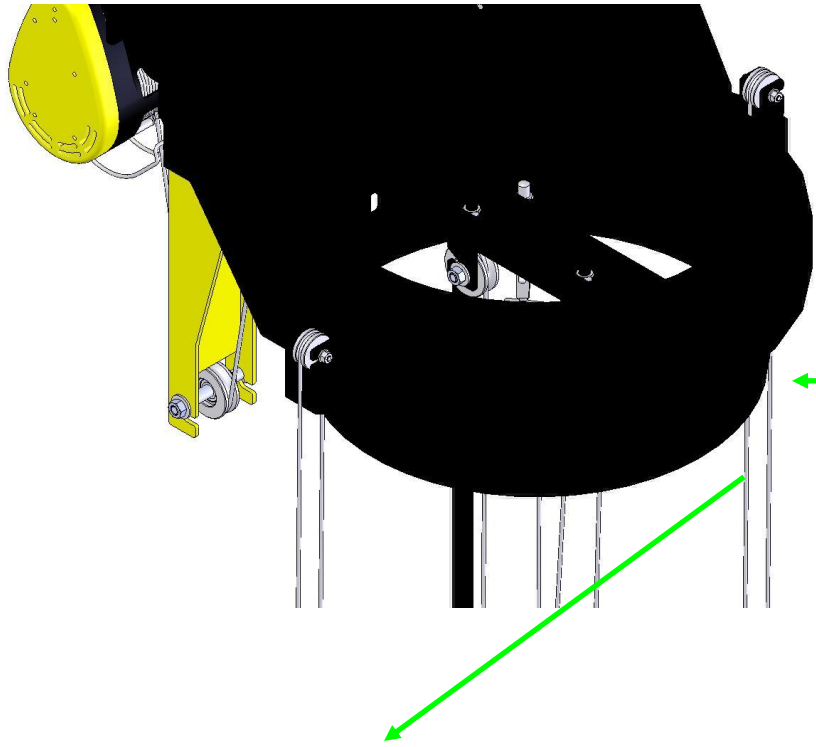
Specification : 5mm x 8M.



Connect.

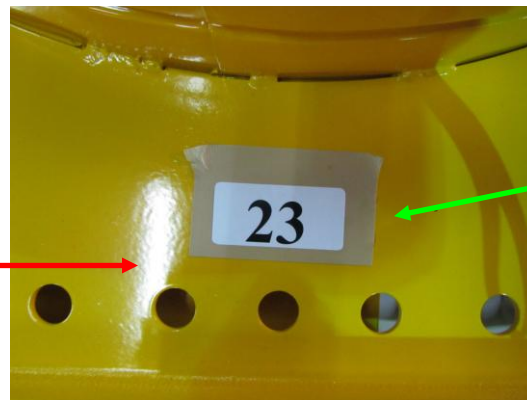


BAY-9

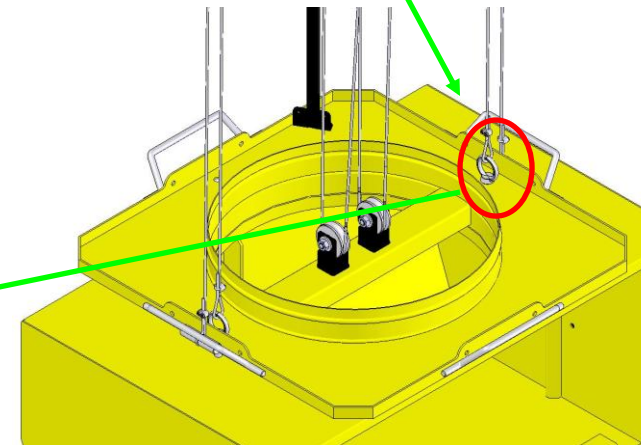


➤ **Safety Steel Cable.**

Specification : 5mm x 8M.



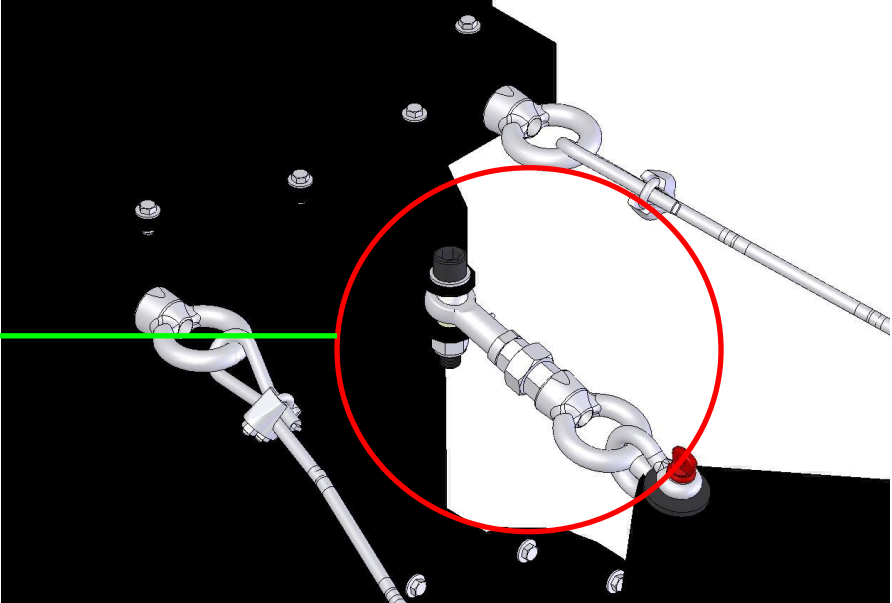
Connect.



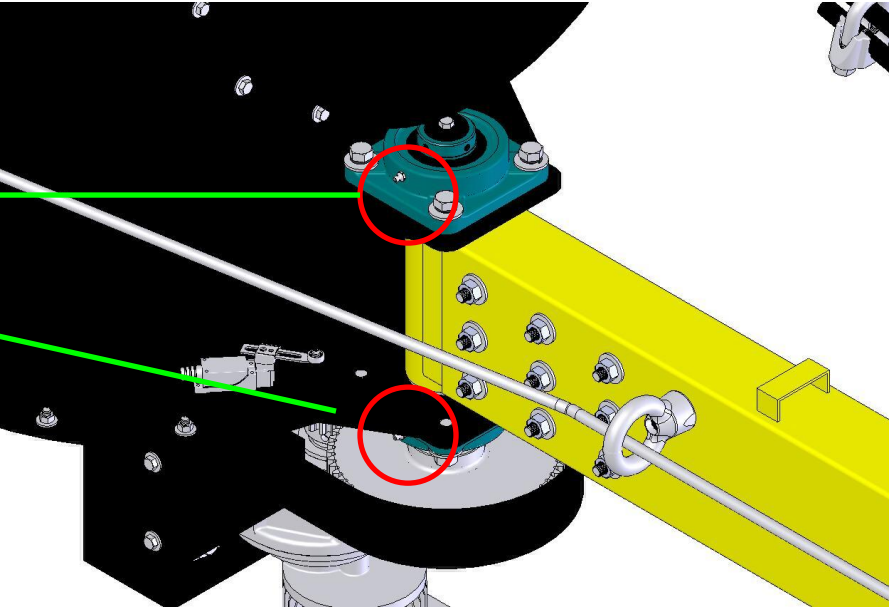
BAY-9

➤ Maintenance:

➤ Bearing: lubricant/grease monthly.

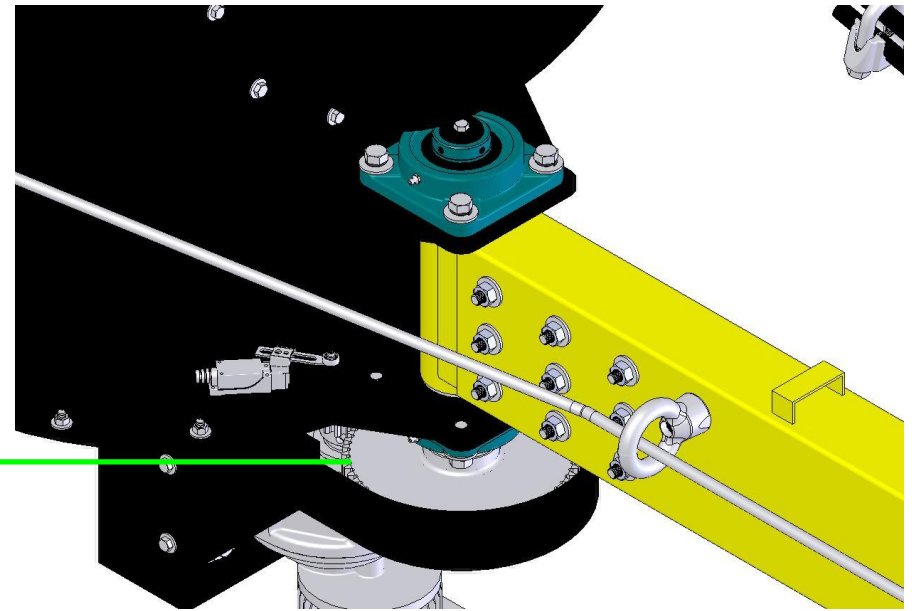
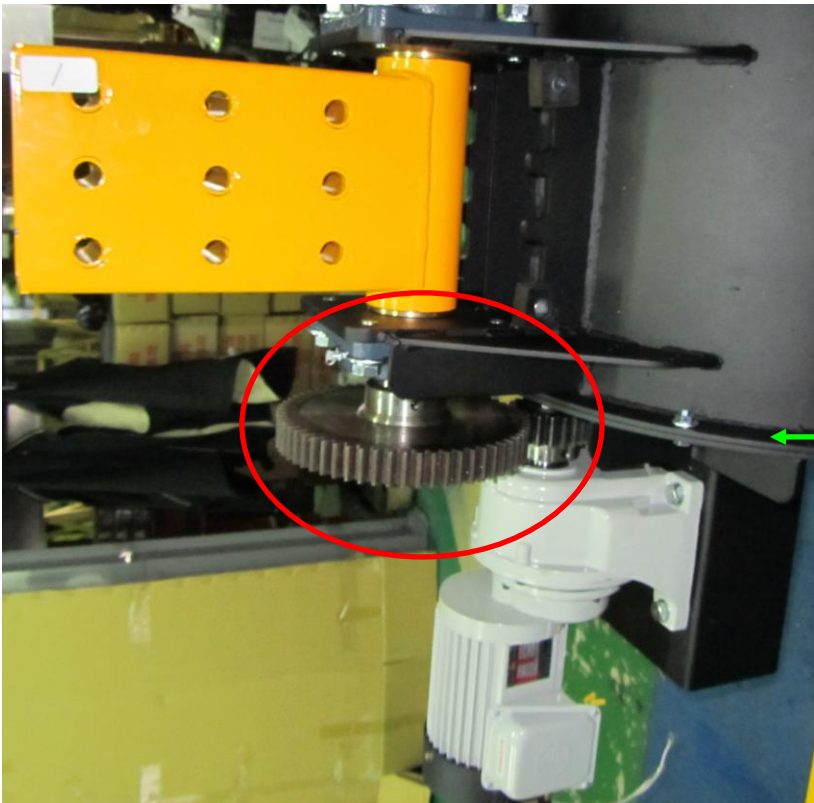


➤ Lubrication once monthly.



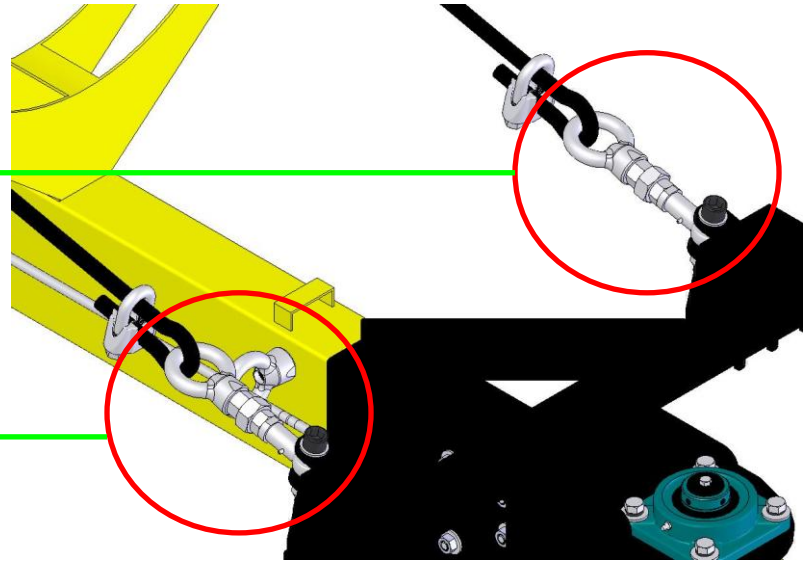
BAY-9

➤ Big & Small Gear: lubrication once monthly.

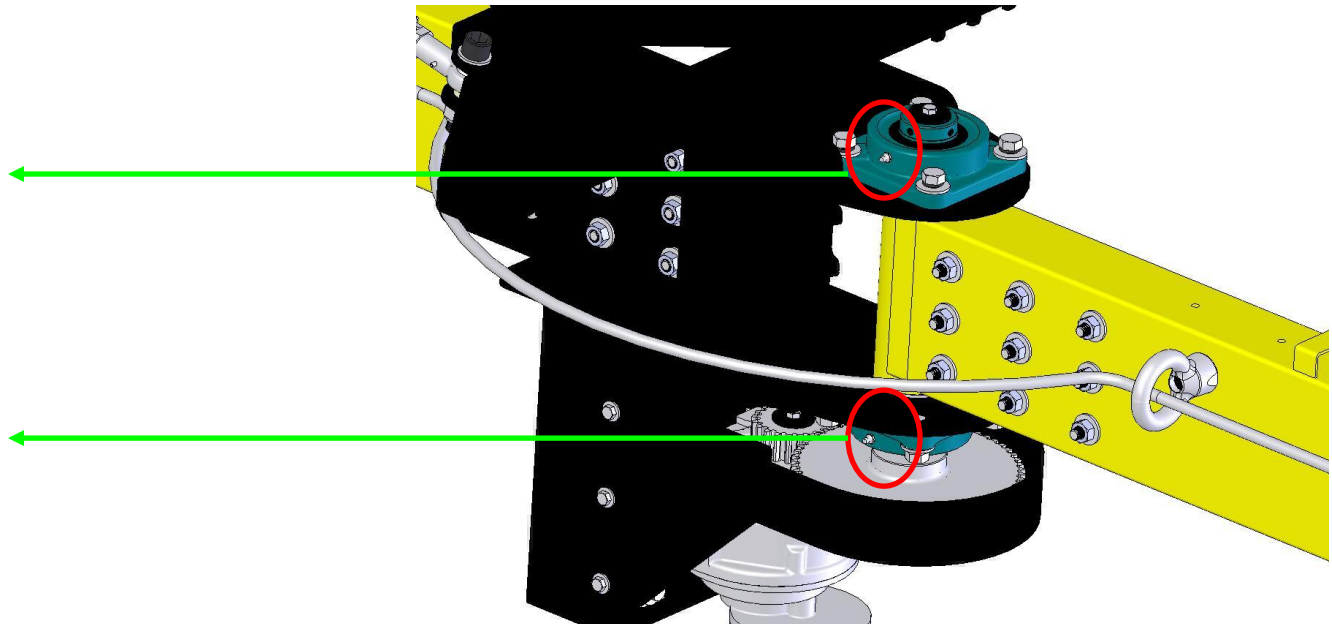


BAY-9

➤ Bearing: lubricant/grease monthly.

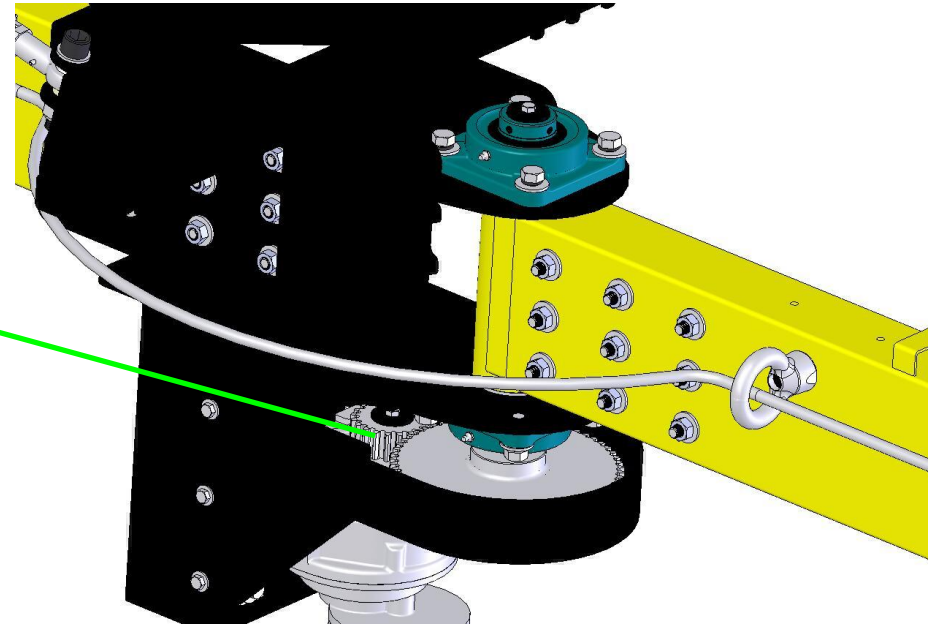


➤ Lubrication once monthly.

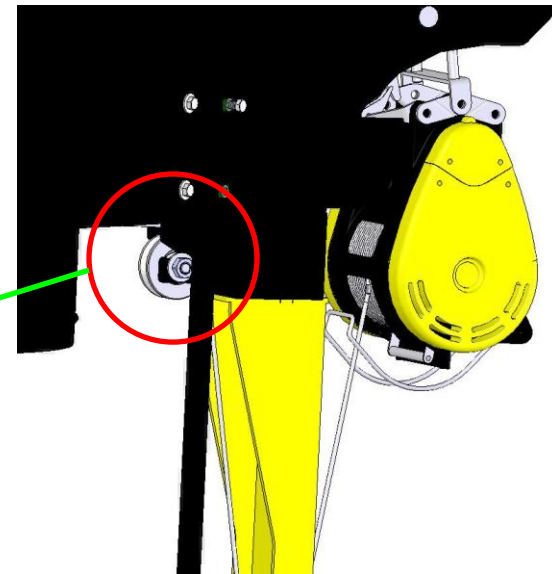
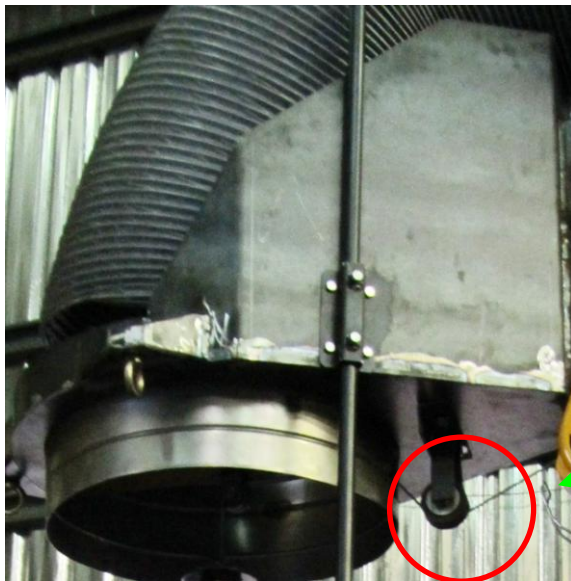


BAY-9

- Big & Small Gear: lubrication once monthly.

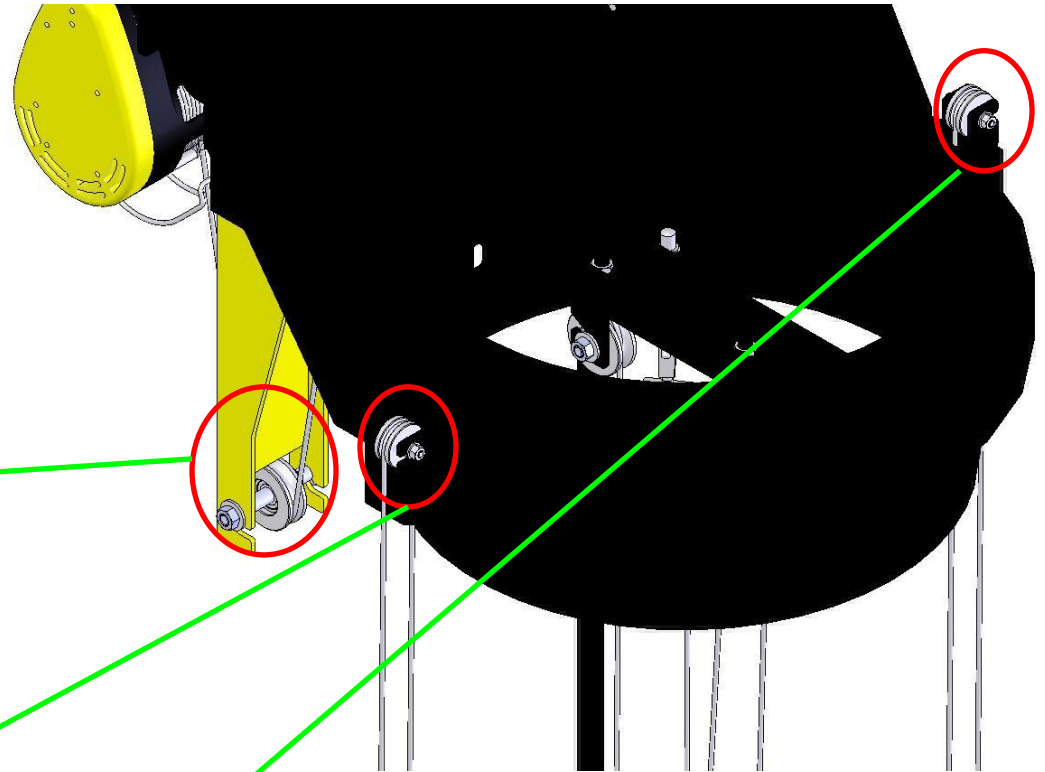


- Casters: lubrication once monthly.

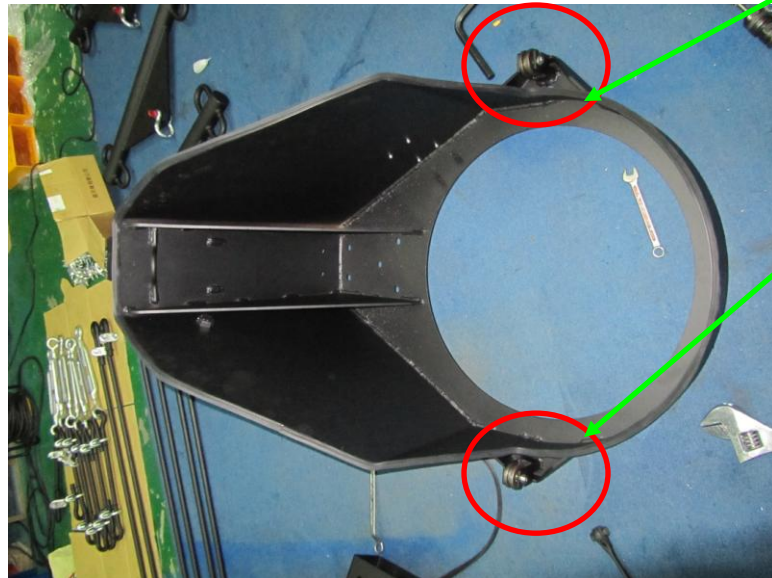


BAY-9

- Casters: lubrication once monthly.

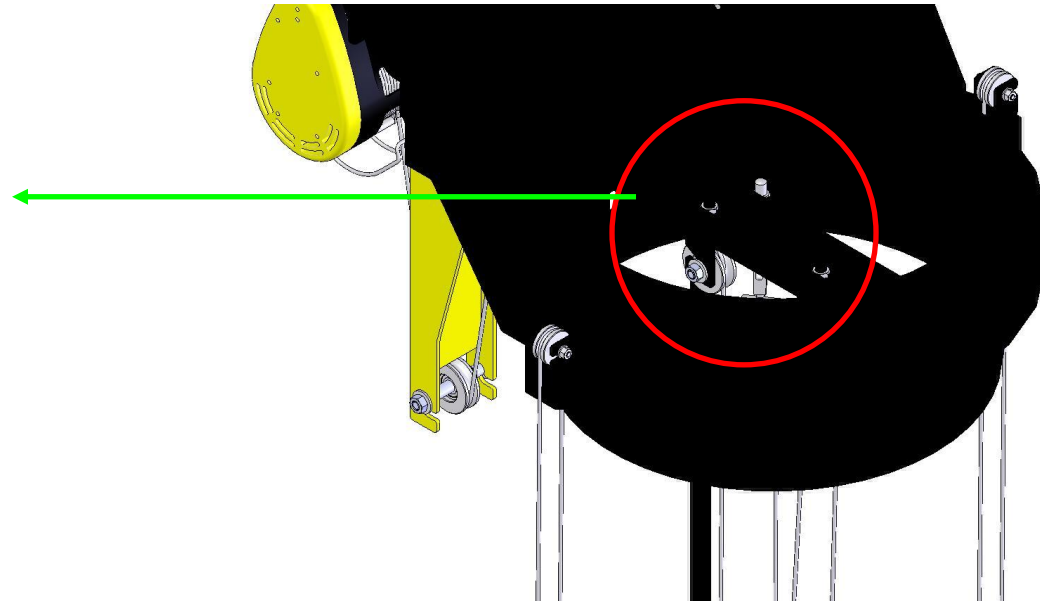
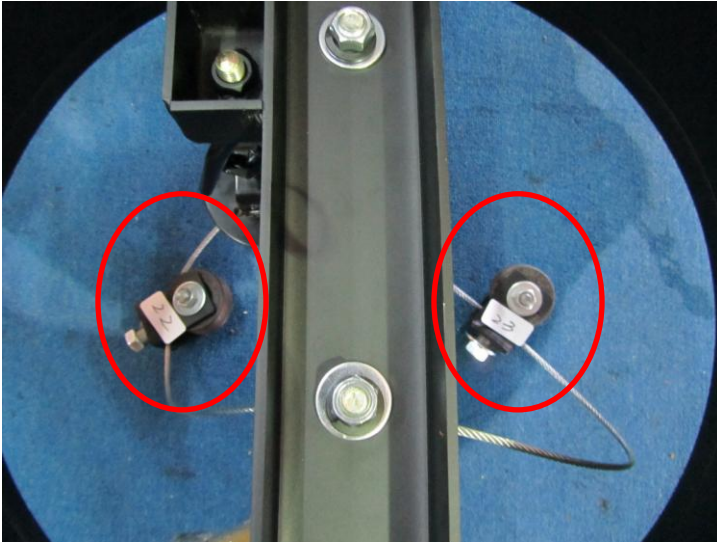


- Casters: lubrication once monthly.

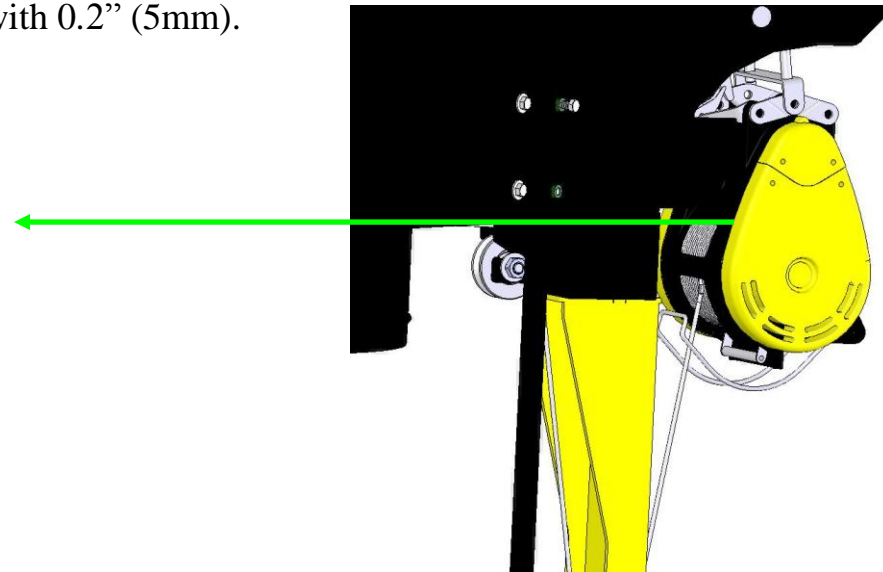


BAY-9

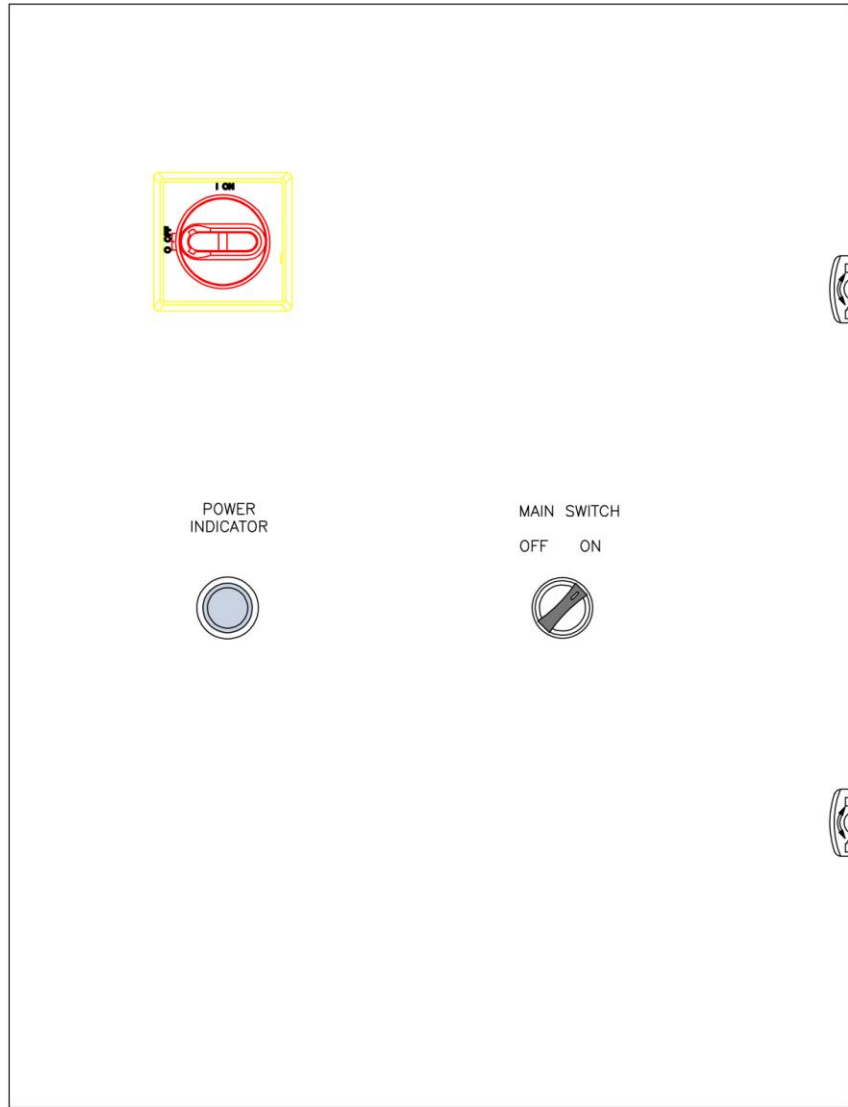
- Casters: lubrication once monthly.



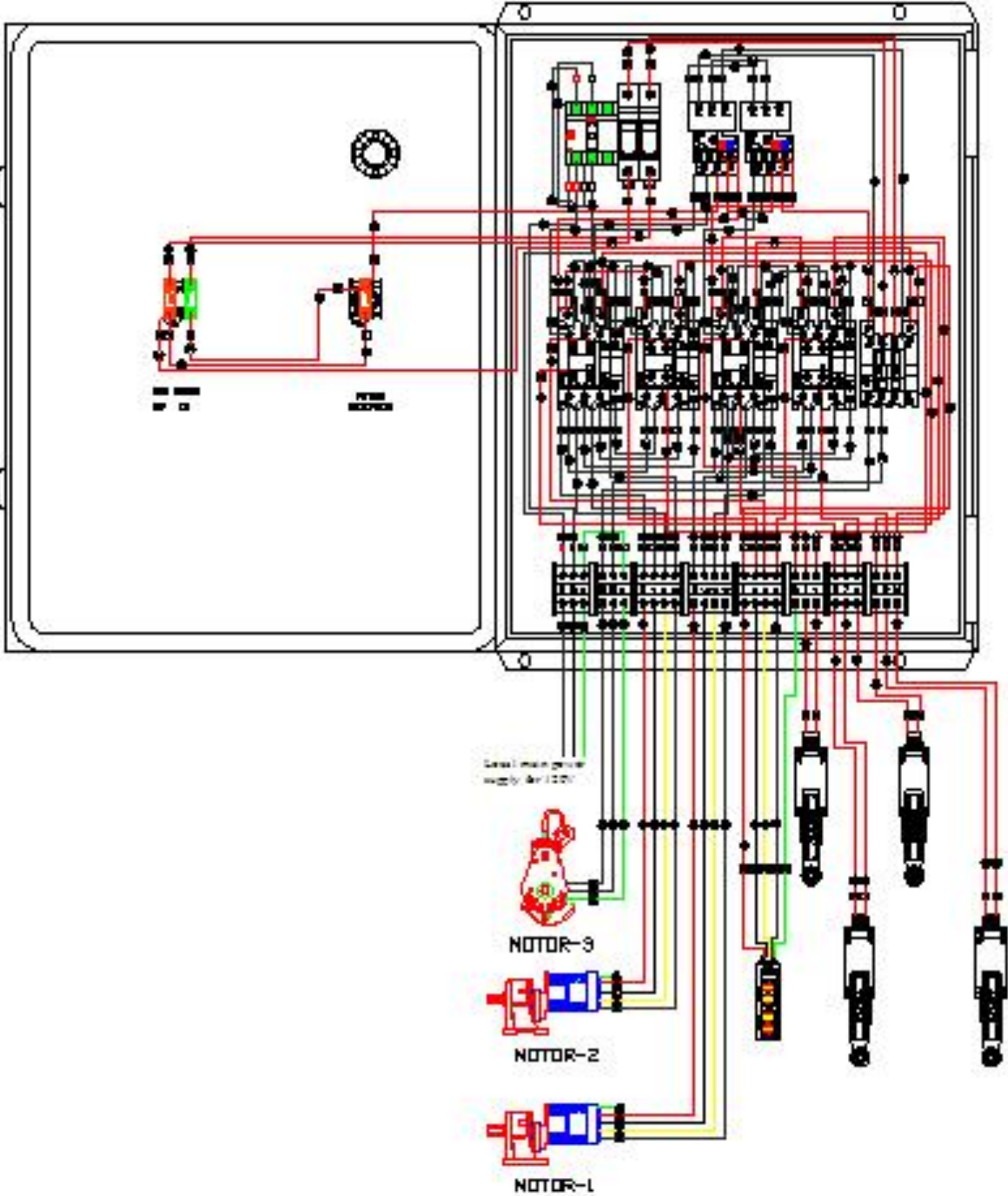
- Check the carbon brush lifespan and length for motor 3 every 6 months. Replace carbon brushes when the brush length is left with 0.2" (5mm).



Main Electrical Box Components for BAY-9

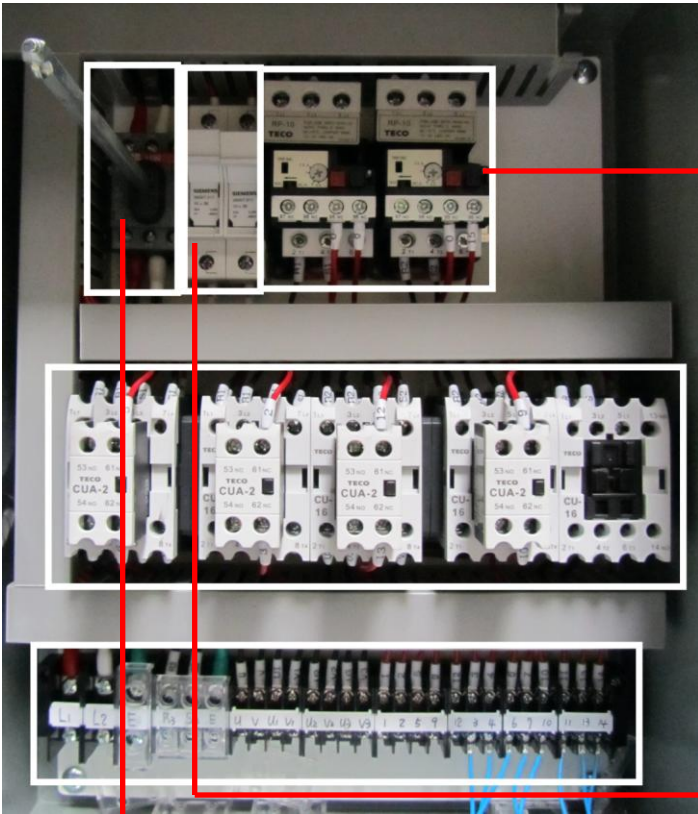


Main Electrical Box Wiring for BAY-9



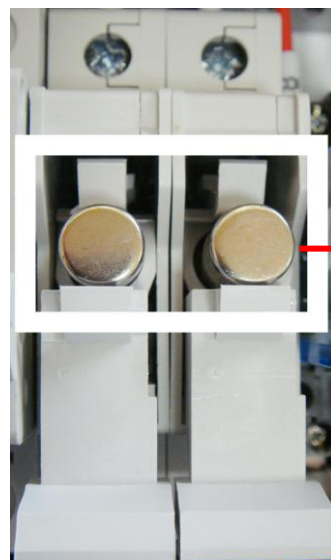
Main Electrical Box Components

➤ Thermal Relay.

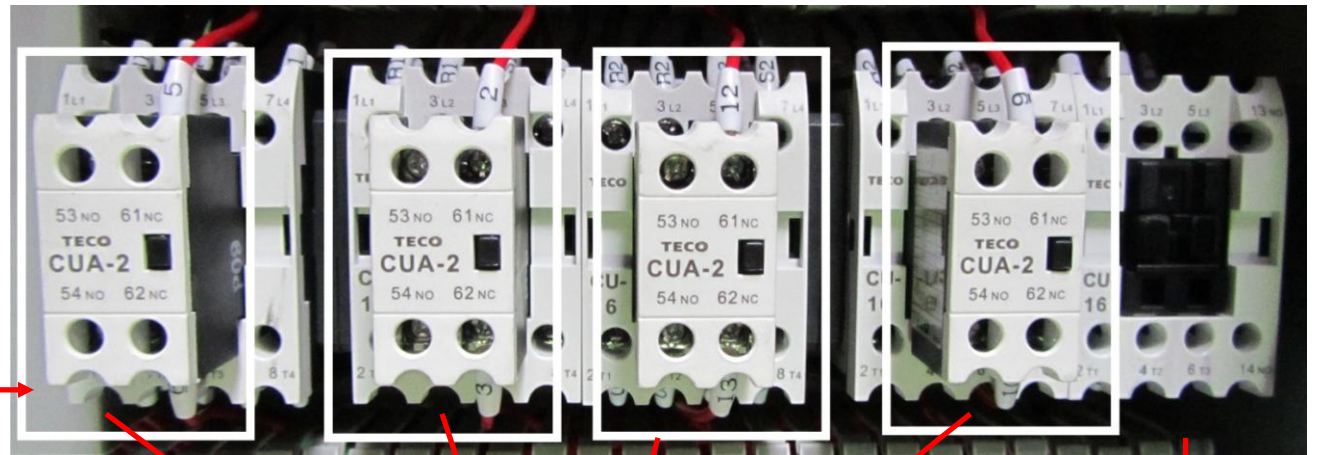


➤ Panel disconnect switch.

➤ Fuse bus.



Main Electrical Box Components



➤ **Auxiliary Contact Blocks.**

➤ **Magnetic contactor.**



Main Electrical Box Components

➤ Motor 1.



➤ Left limit switch is here.



➤ Motor 2.



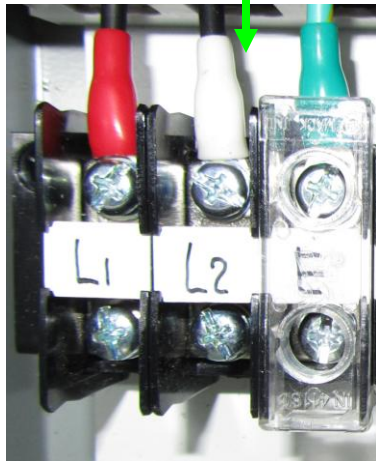
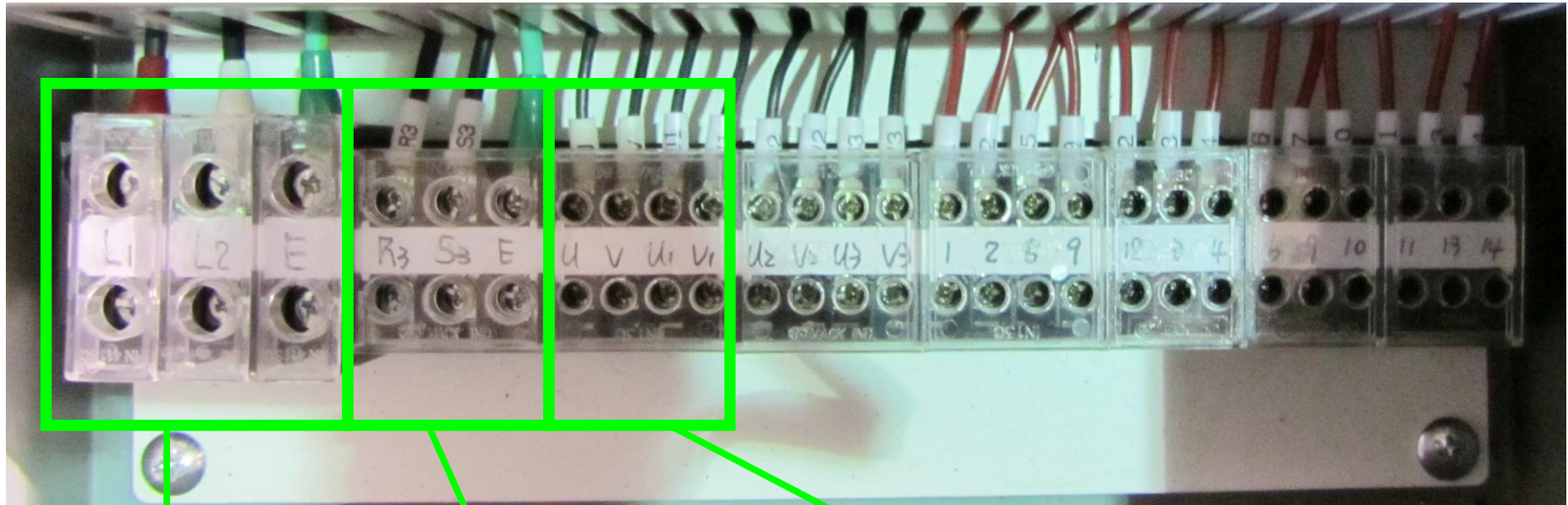
➤ Right limit switch is here.



➤ Motor 3.



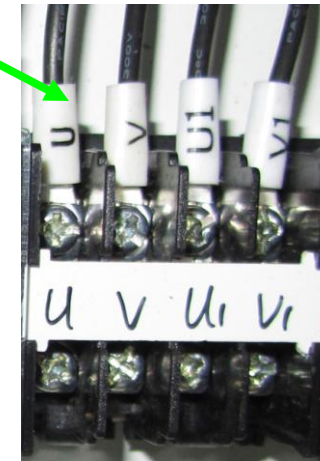
Main Electrical Box Components



- Connect to main power supply for BAY-9. (120V)

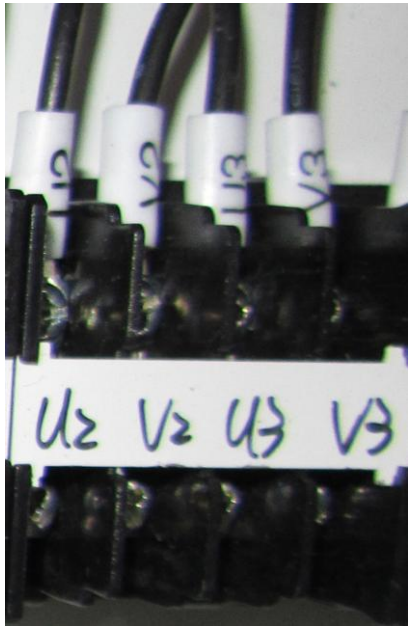
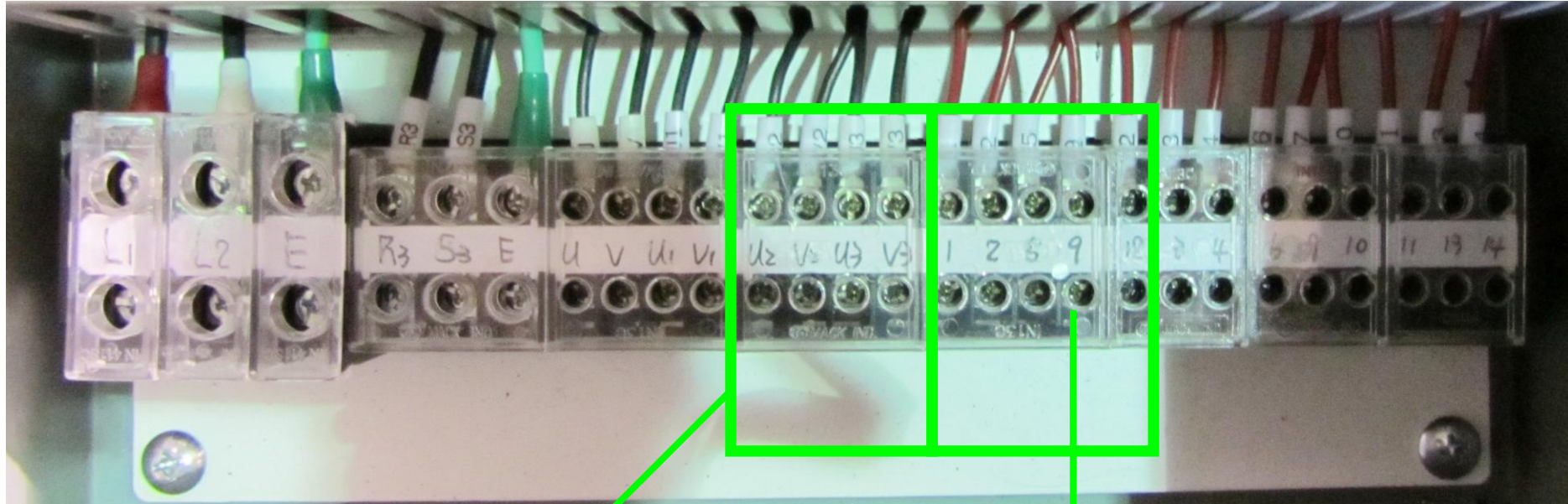


- Connect to motor 3 power supply for BAY-9.

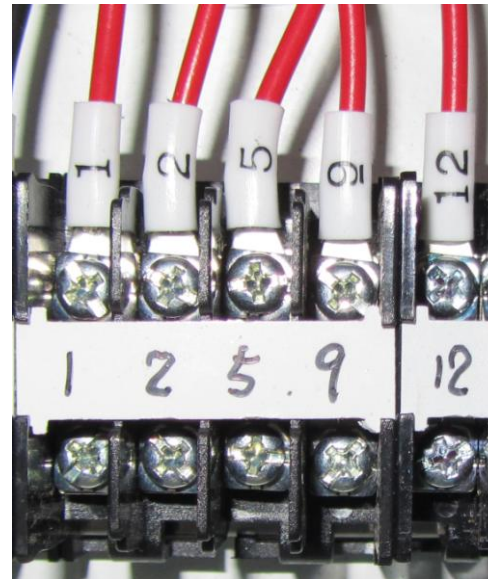


- Connect to motor 2 power supply for BAY-9.

Main Electrical Box Components

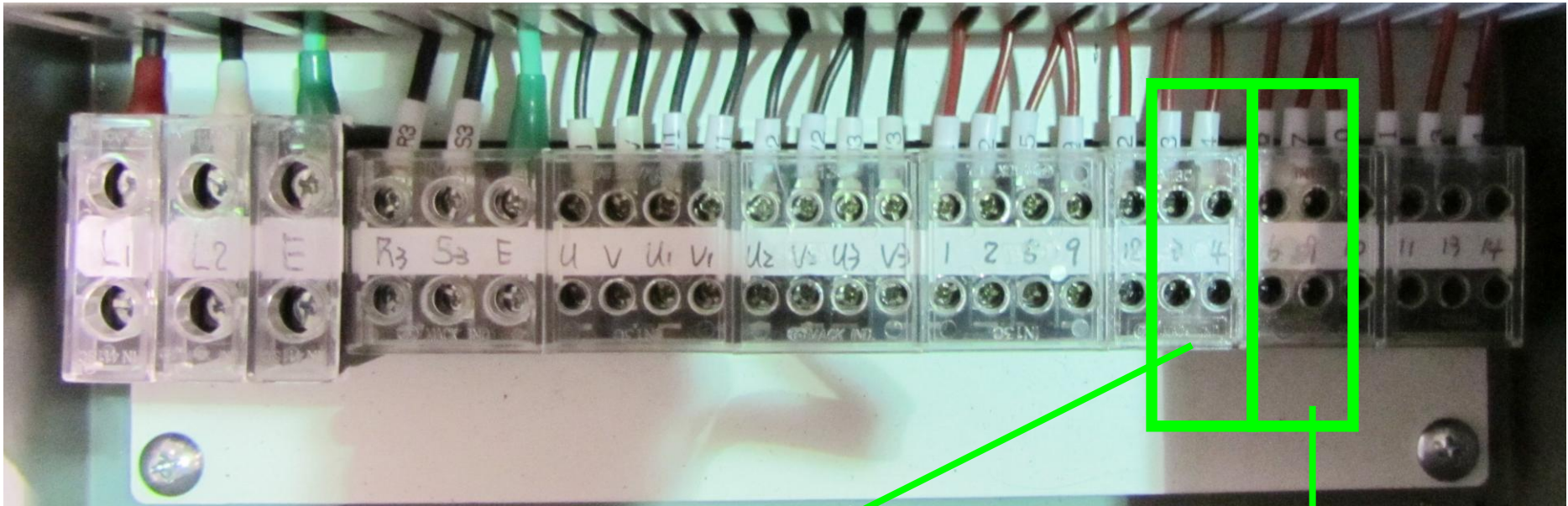


➤ Connect to motor 1 power supply for BAY-9.



➤ Connect to the complete pendant push button controls for BAY-9.

Main Electrical Box Components

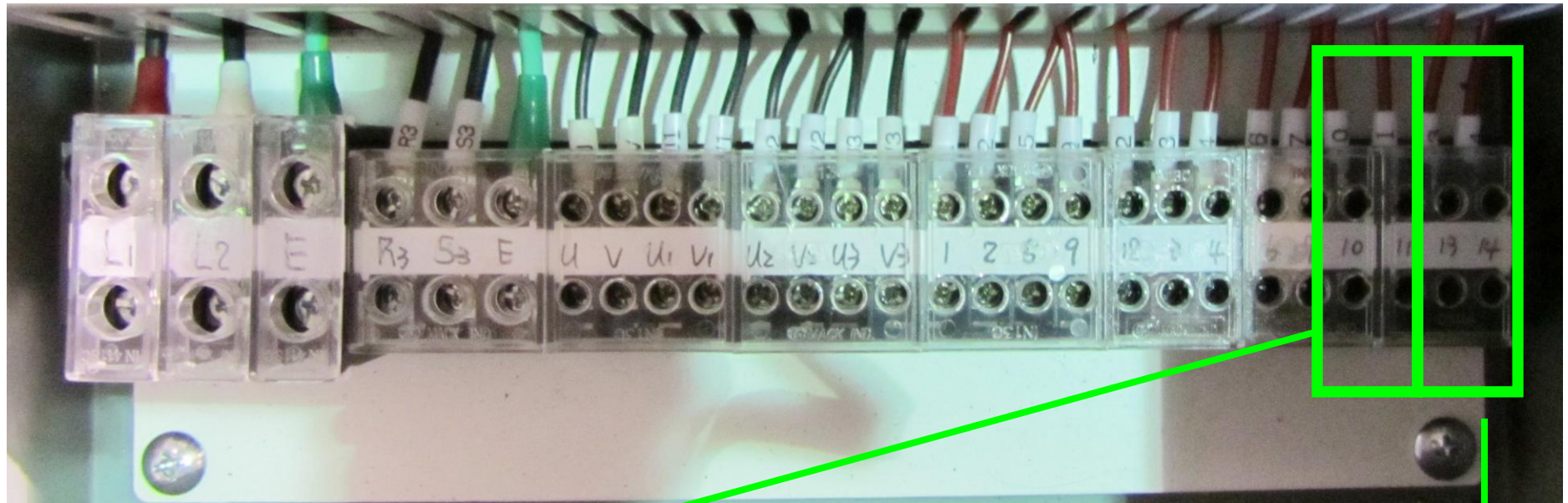


- Connect to the left limit switch of the motor 2 for BAY-9.

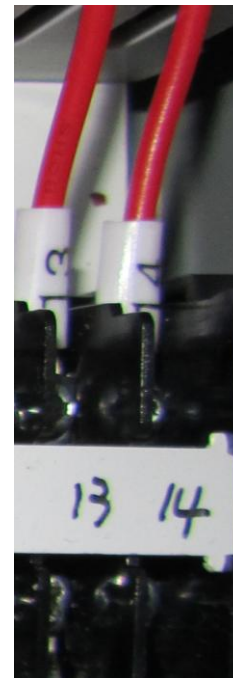


- Connect to the right limit switch of the motor 2 for BAY-9.

Main Electrical Box Components



- Connect to the left limit switch of the motor 1 for BAY-9



- Connect to the right limit switch of the motor 1 for BAY-9.