

DO NOT SCALE

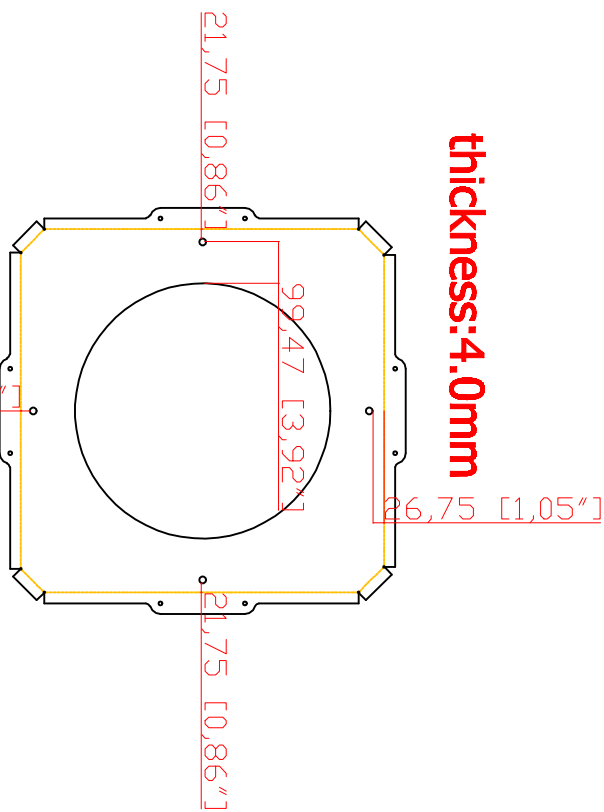
IF IN DOUBT ASK



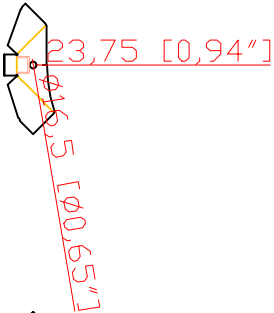
| Revisions | | |
|-----------|-------------|------|
| Rev | Description | Date |
| | | |

100 Boom Hood

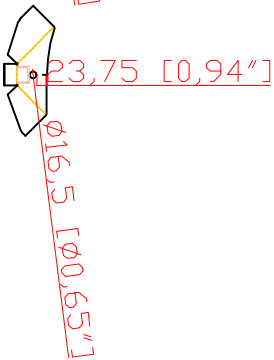
thickness:4.0mm



thickness:6.0mm



thickness:6.0mm



B

A

AVANI ENVIRONMENTAL INTL. INC. Sales Department

95 Cypress Drive

Youngsville, NC 27596

(919) 570-2862

Info@avanienvironmental.com

| | |
|-------------|------------|
| Date | 2011-09-09 |
| Drawn by: | *** |
| Checked by: | |

Name

Part Name:

Bay 2, 9, 10

Title:

Boom w Hose Drops for Rock Trucks

The drawings, AutoCAD, 3-D Models, and specifications are the property of Avani Environmental Int'l. Inc. (A/E) and may not be reproduced, distributed, modified, or otherwise used, except provided herein, without the express written permission of A/E.

Size Scale 1 = 50

Drawing Number: boom