

DO NOT SCALE

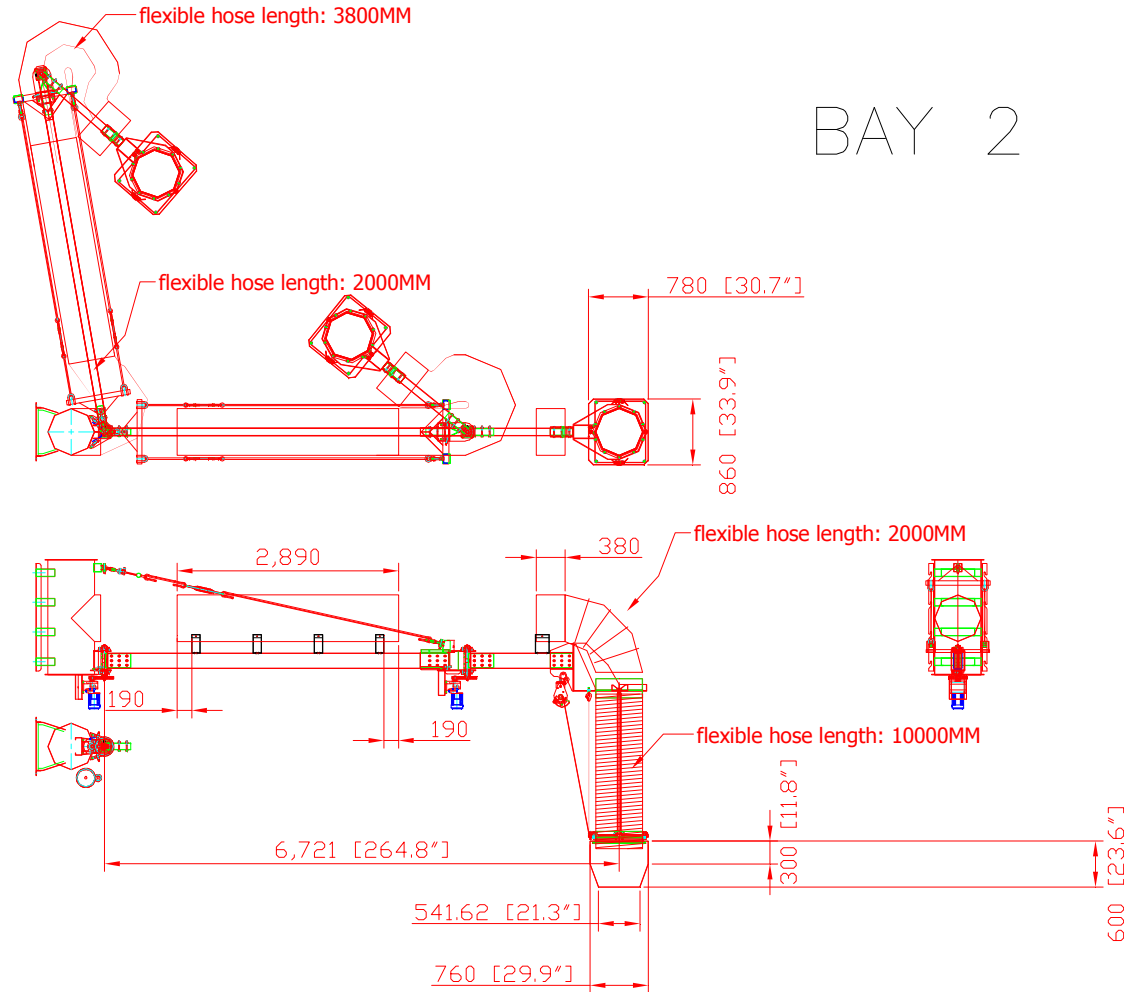
IF IN DOUBT ASK



Revisions

Rev	Description	Date	Approved
-----	-------------	------	----------

BAY 2



OSKAR -
 AVANI ENVIRONMENTAL, INC.
 95 Cypress Drive
 Youngsville, NC 27596

Sales Department
 (919) 570-2862
 sales@oskarsales.com

	Date	Name	Part Name:	Title:
Drawn by:	2010-11-11	***	Bay 2	Boom w Hose Drops for Rock Trucks
Checked by:				
This drawing is confidential and is the exclusive property of Oskar - Avani Environmental. No unauthorized use/copy or disclosure is to be made and it is returned whenever required.				Drawing Number:

Size
A

Scale
1 = 50

Drawing Number:
boom

DO NOT SCALE

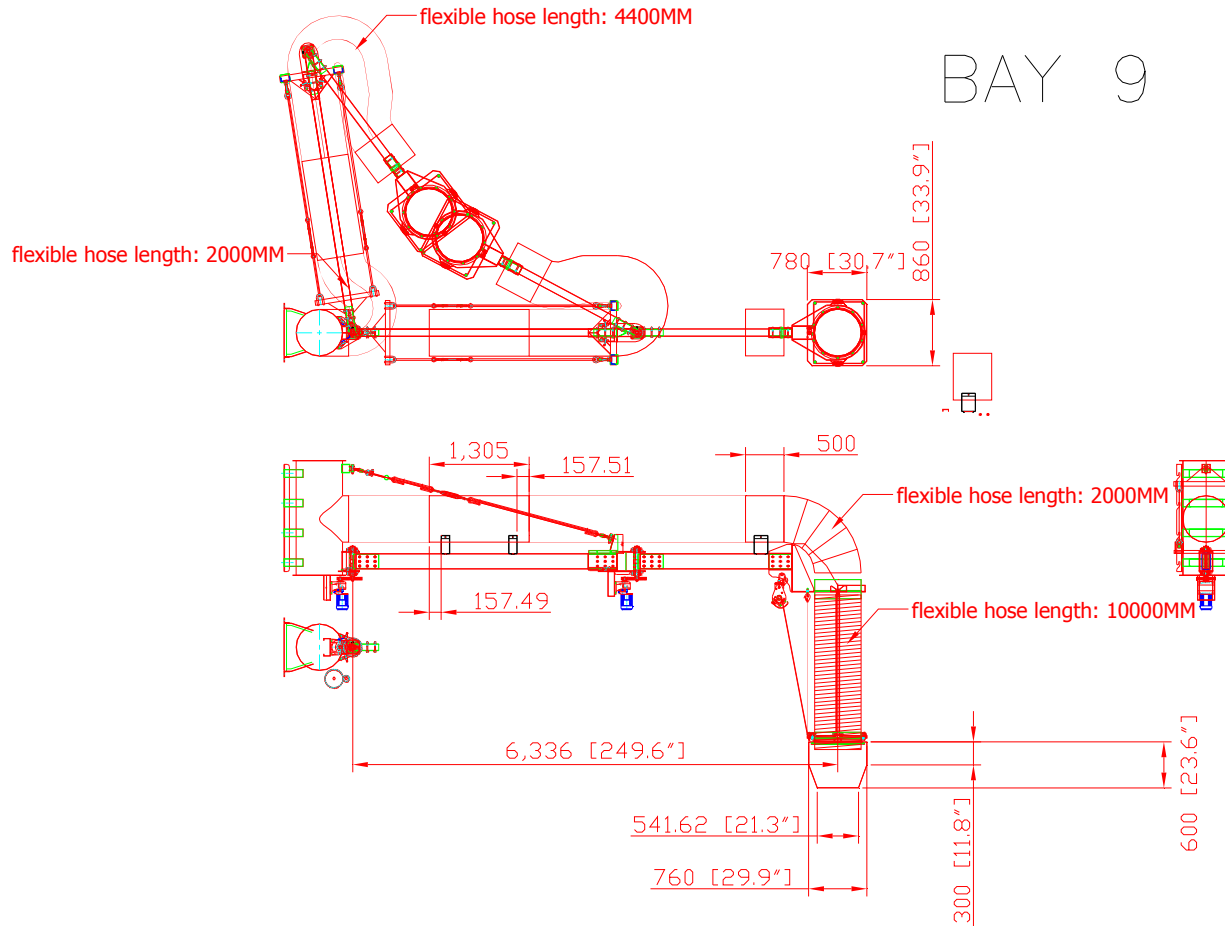
IF IN DOUBT ASK



Revisions

Rev	Description	Date	Approved
-----	-------------	------	----------

BAY 9



OSKAR -
 AVANI ENVIRONMENTAL, INC.
 95 Cypress Drive
 Youngsville, NC 27596

Sales Department
 (919) 570-2862
 sales@oskarsales.com

	Date	Name	Part Name:	Title:
Drawn by:	2010-11-11	***	Bay 9	Boom w Hose Drops for Rock Trucks
Checked by:				
This drawing is confidential and is the exclusive property of Oskar - Avani Environmental. No unauthorized use/copy or disclosure is to be made and it is returned whenever required.				Drawing Number:

Size	Scale	Drawing Number:
A	1 = 50	boom

DO NOT SCALE

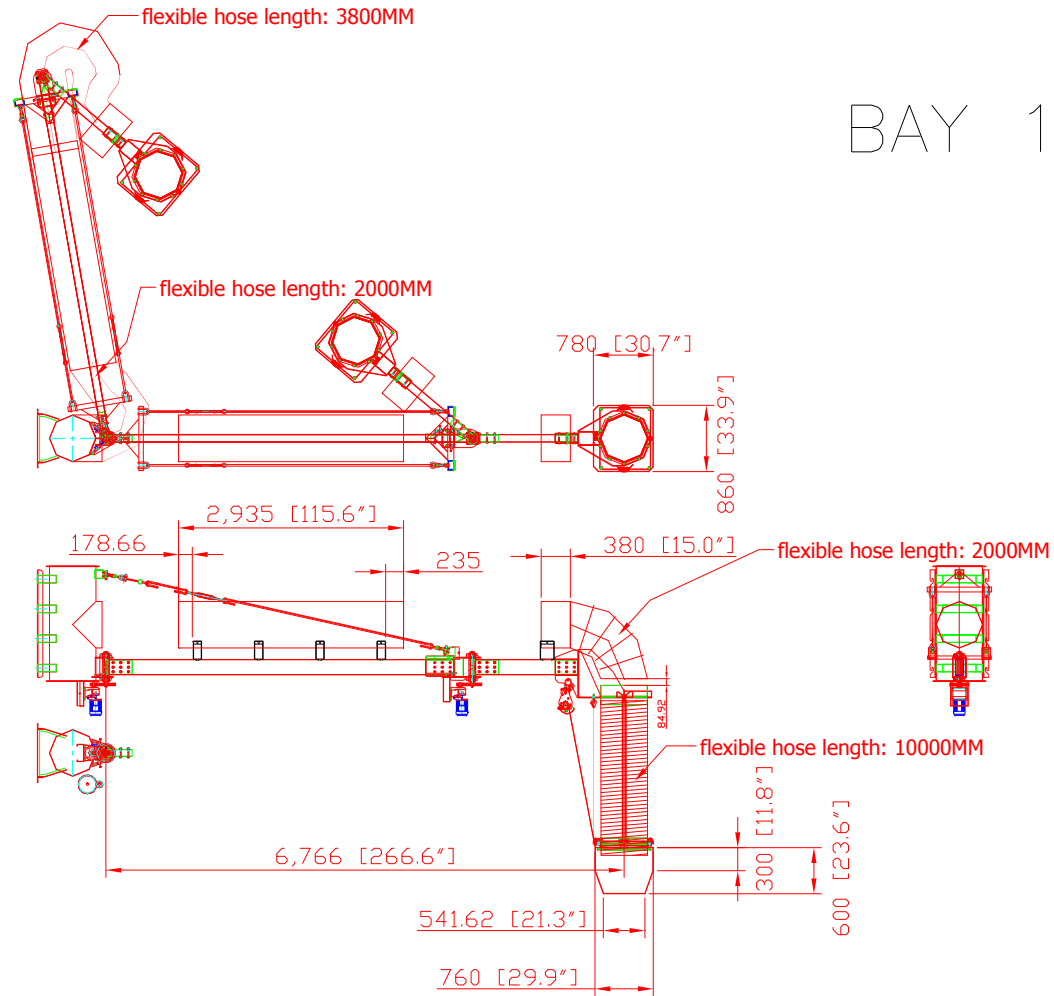
IF IN DOUBT ASK



Revisions

Rev	Description	Date	Approved
-----	-------------	------	----------

BAY 10



OSKAR -
 AVANI ENVIRONMENTAL, INC.
 95 Cypress Drive
 Youngsville, NC 27596

Sales Department
 (919) 570-2862
 sales@oskarsales.com

	Date	Name	Part Name:
Drawn by:	2010-11-11	***	Bay 10
Checked by:			

This drawing is confidential and is the exclusive property of Oskar - Avani Environmental. No unauthorized use/copy or disclosure is to be made and it is returned whenever required.

Title: **Boom w Hose Drops
for Rock Trucks**

Size A	Scale 1 = 50	Drawing Number: boom
------------------	-----------------	-------------------------