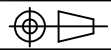


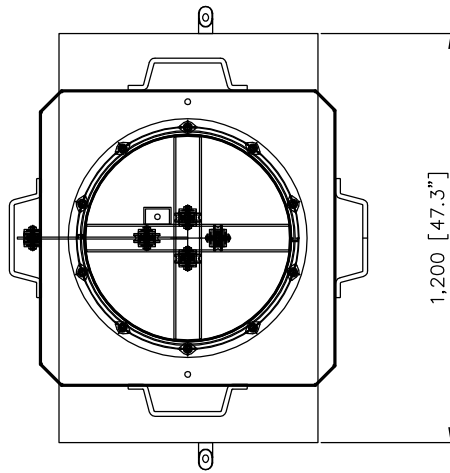
DO NOT SCALE

IF IN DOUBT ASK

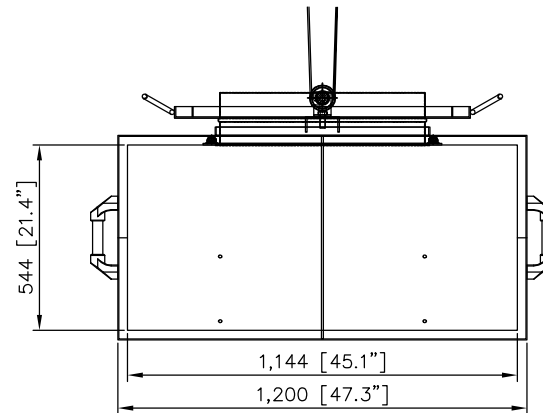
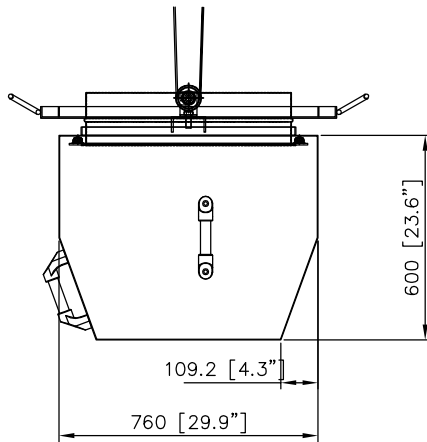


Revisions

Rev	Description	Date	Approved
-----	-------------	------	----------



# IOE Boom Hood



OSKAR -  
 AVANI ENVIRONMENTAL, INC.  
 95 Cypress Drive  
 Youngsville, NC 27596

Sales Department  
 (919) 570-2862  
 sales@oskarsales.com

	Date	Name	Part Name:	Title:
Drawn by:	2010-11-18	***	Bay 2, 9, 10	Boom w Hose Drops for Rock Trucks
Checked by:				
This drawing is confidential and is the exclusive property of Oskar - Avani Environmental. No unauthorized use/copy or disclosure is to be made and it is returned whenever required.				Drawing Number:

Size <b>A</b>	Scale 1 = 50	Drawing Number: boom
------------------	-----------------	-------------------------