



**Date:** January 21, 2011

**Project:** Bay Boom

**To:** IOC, Canada

**Attn:** Mr. Mark Burt

**Recommended Equipment:**

Bay 2, Bay 9, and Bay 10

---

**Avani Environmental Intl. Inc.**

95 Cypress Drive

Youngsville, NC 27596

[www.avanienvironmental.com](http://www.avanienvironmental.com)

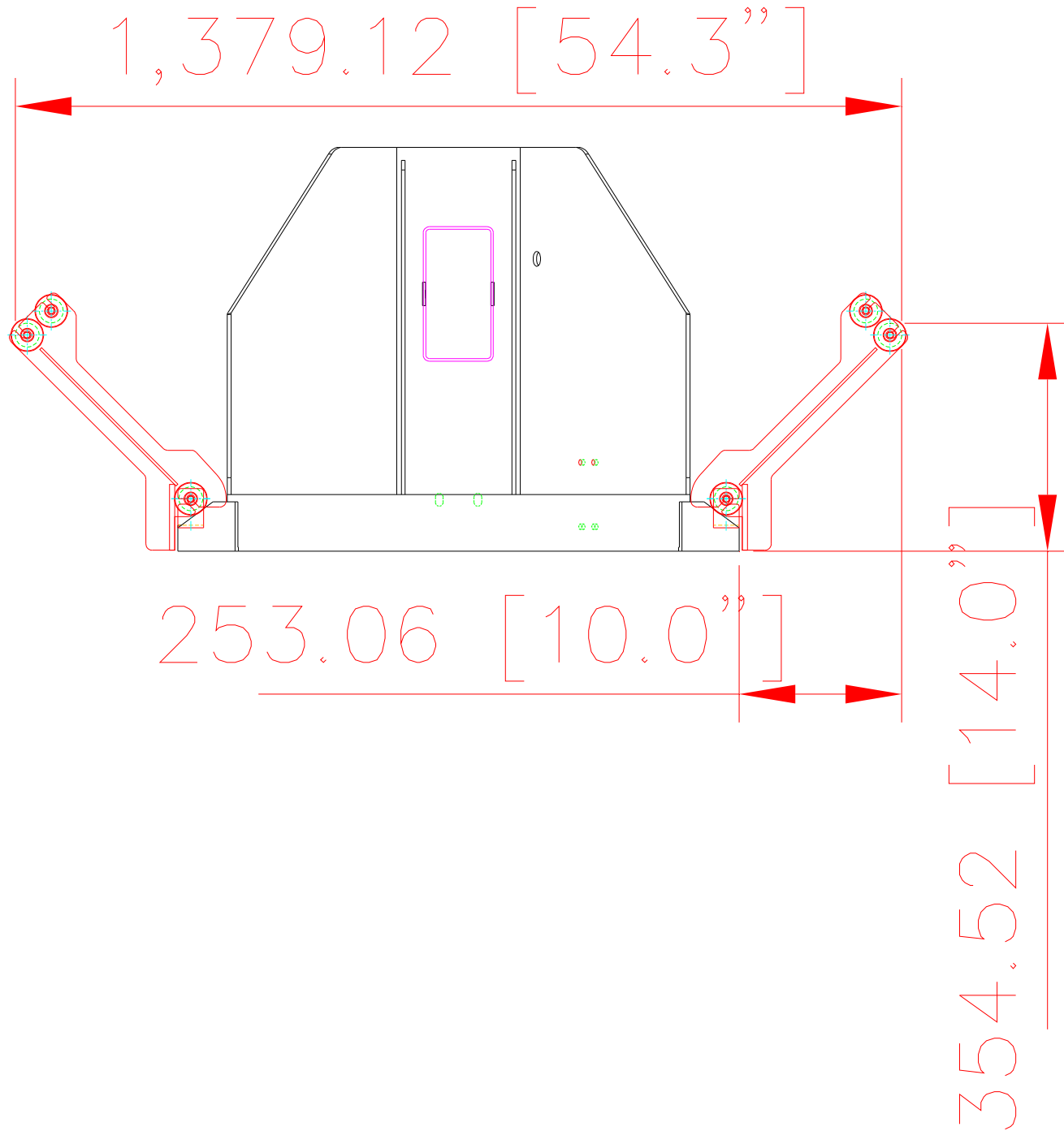
Phone: (919) 570-2862

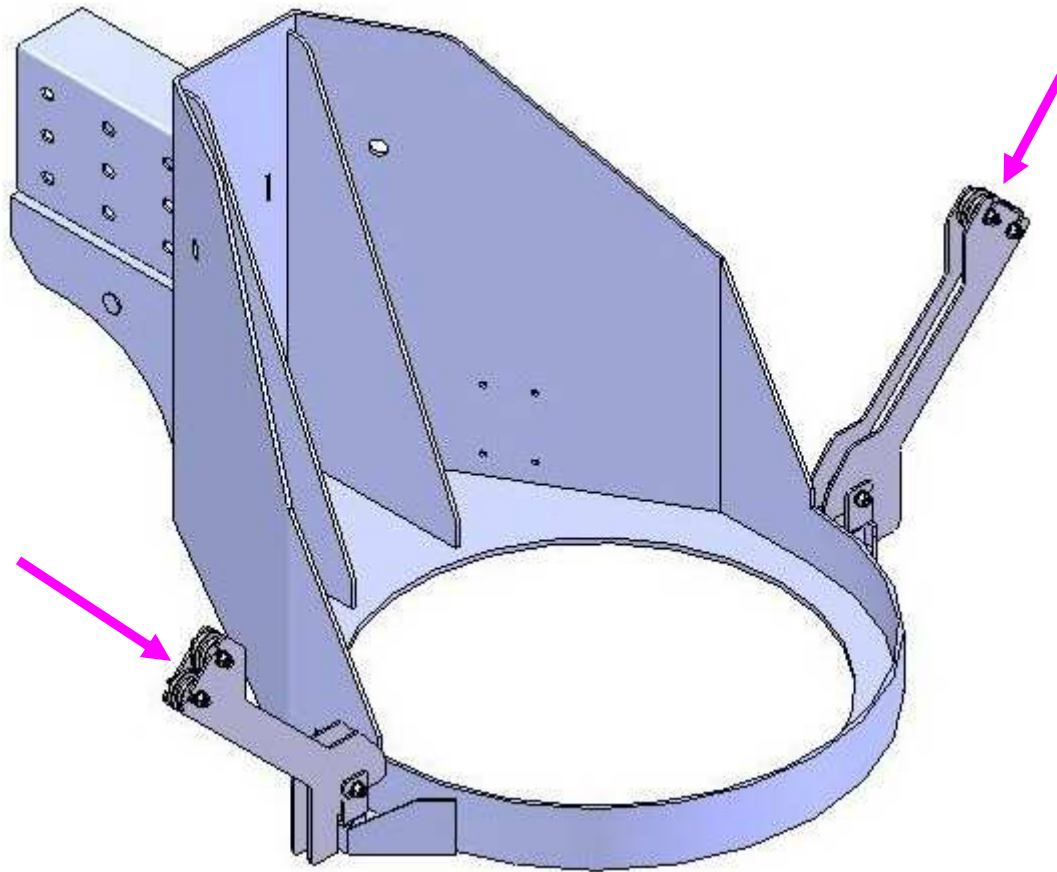
Fax: (919) 570-2863

Email: [info@avanienvironmental.com](mailto:info@avanienvironmental.com)

[www.weldingbooths.com](http://www.weldingbooths.com)

The drawings, AutoCAD, 3-D Models, and specifications are the property of Avani Environmental Intl. Inc. (AE) and may not be reproduced, distributed, modified, or otherwise used, except provided herein, without the express written permission of AE.





(2) additions that allow 10" space to prevent the guard (part# 162) from hitting the hood when hood travels upward and downward

