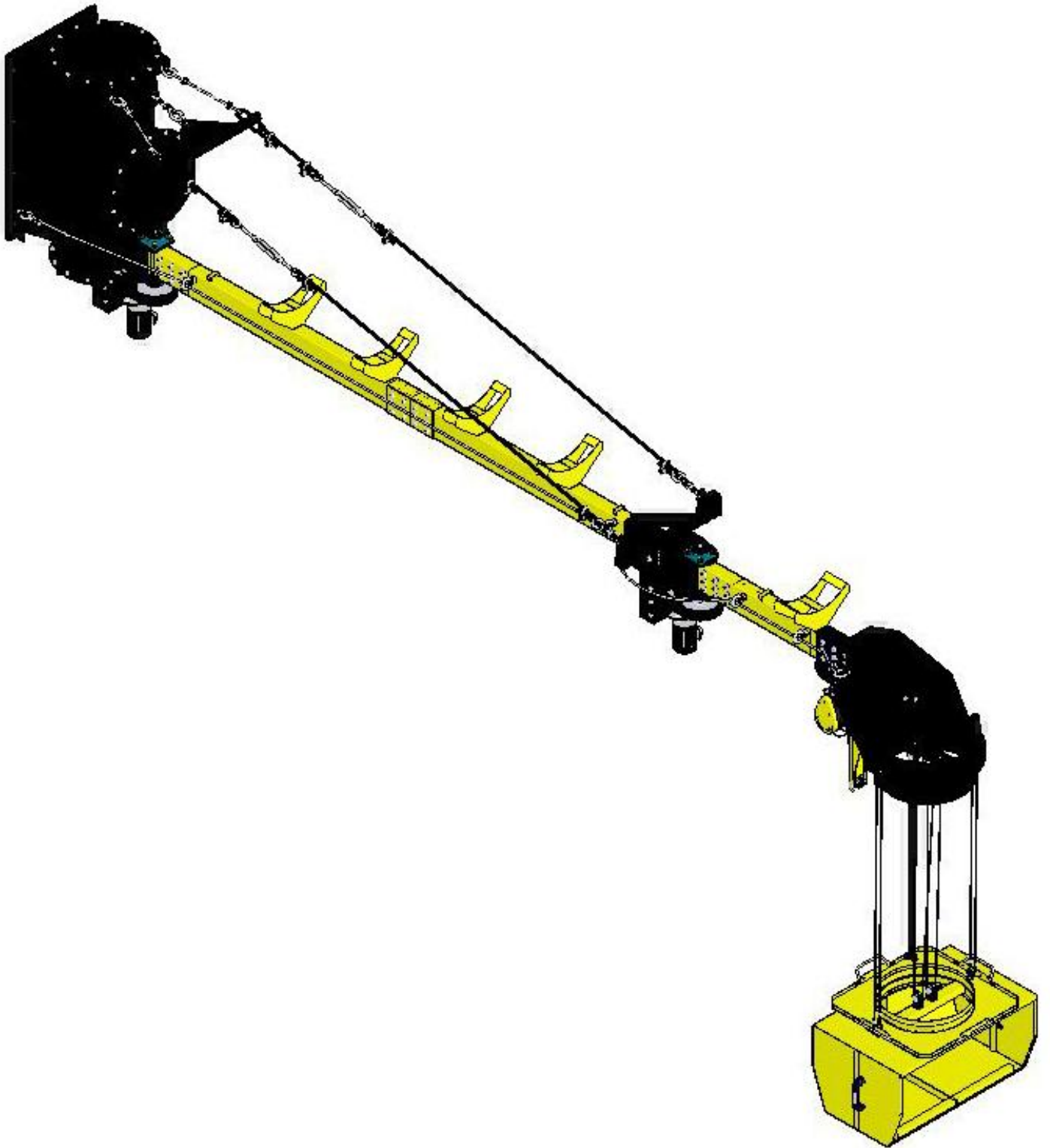
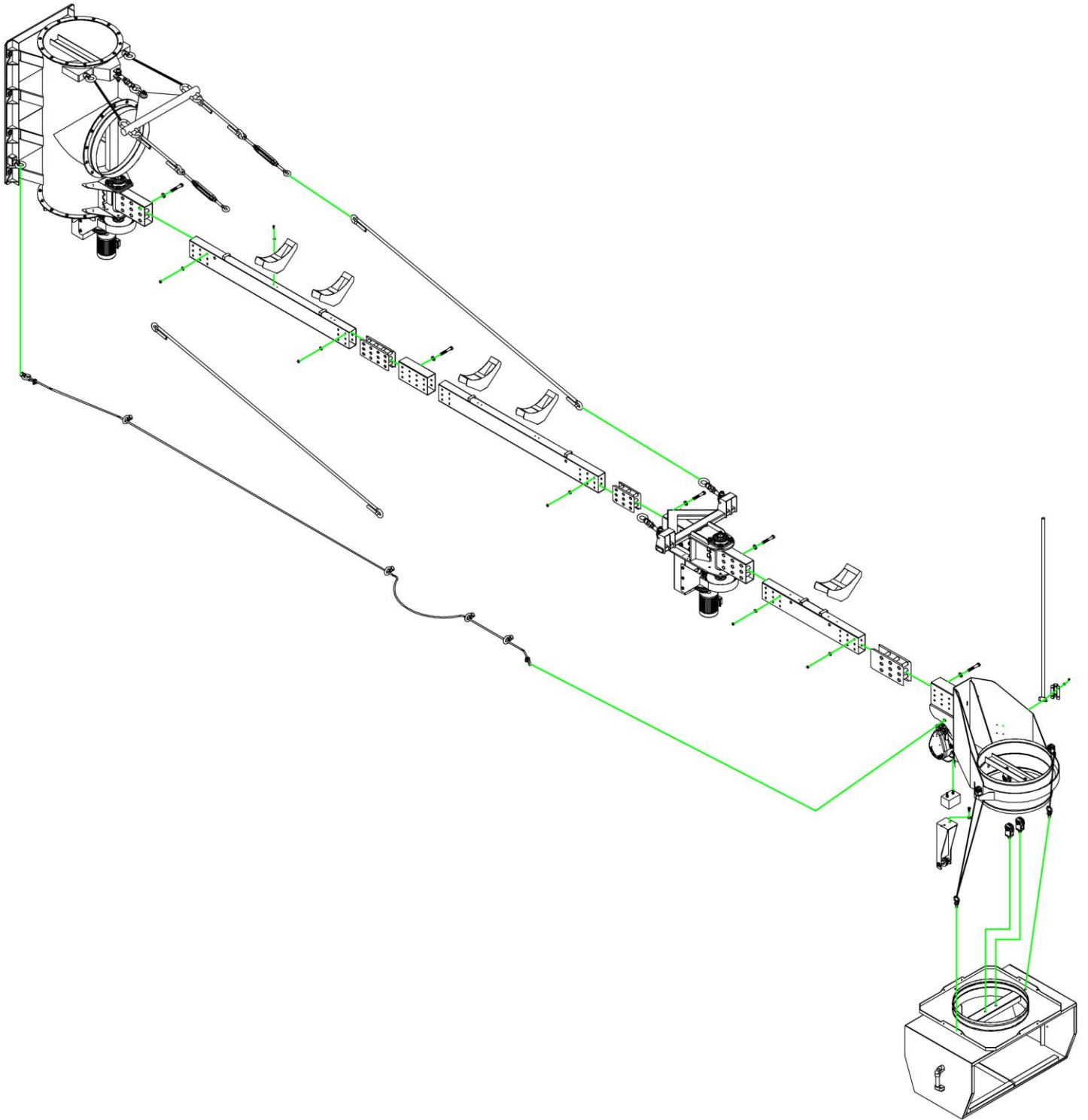


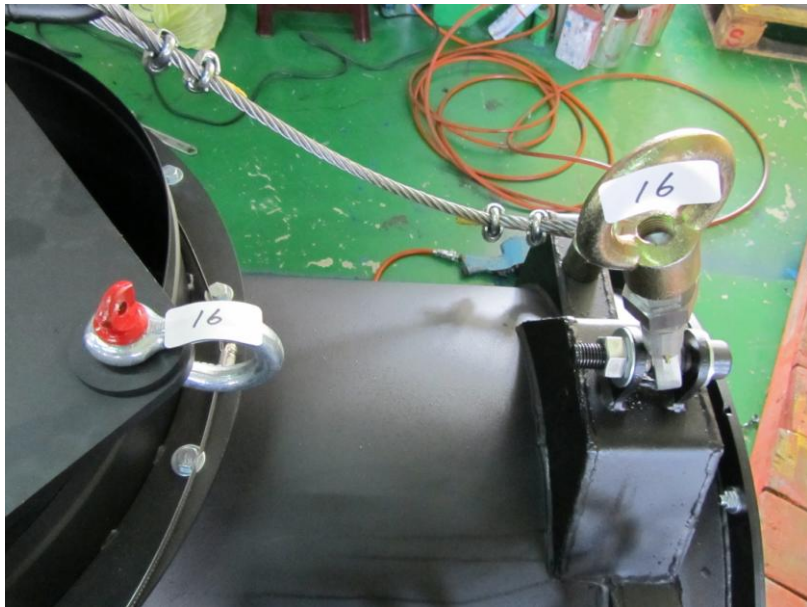
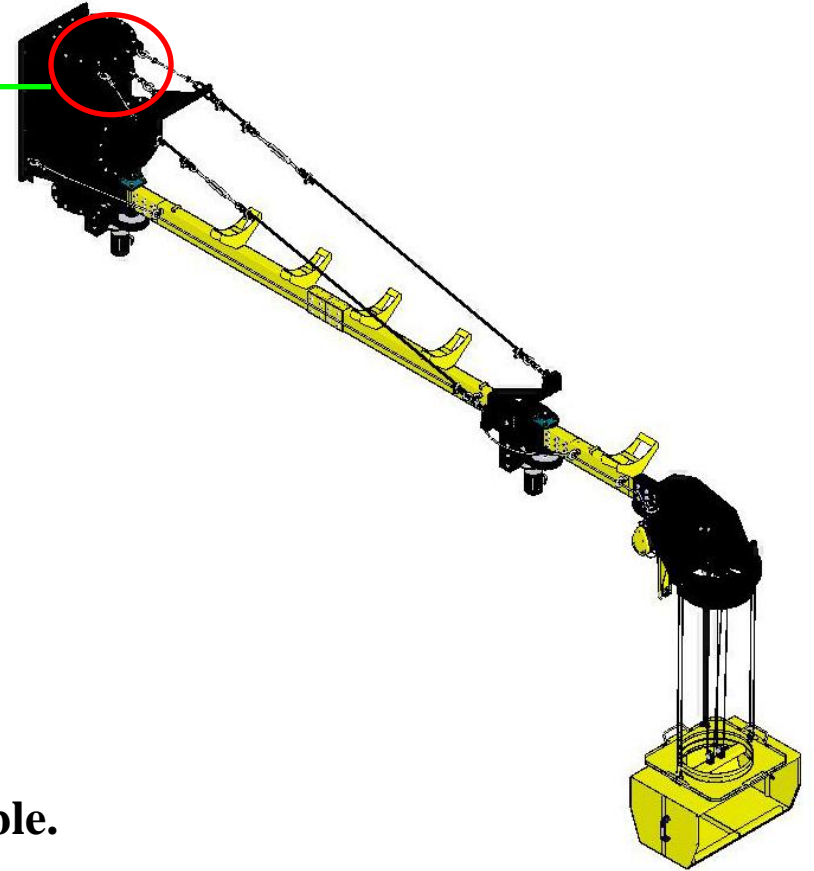
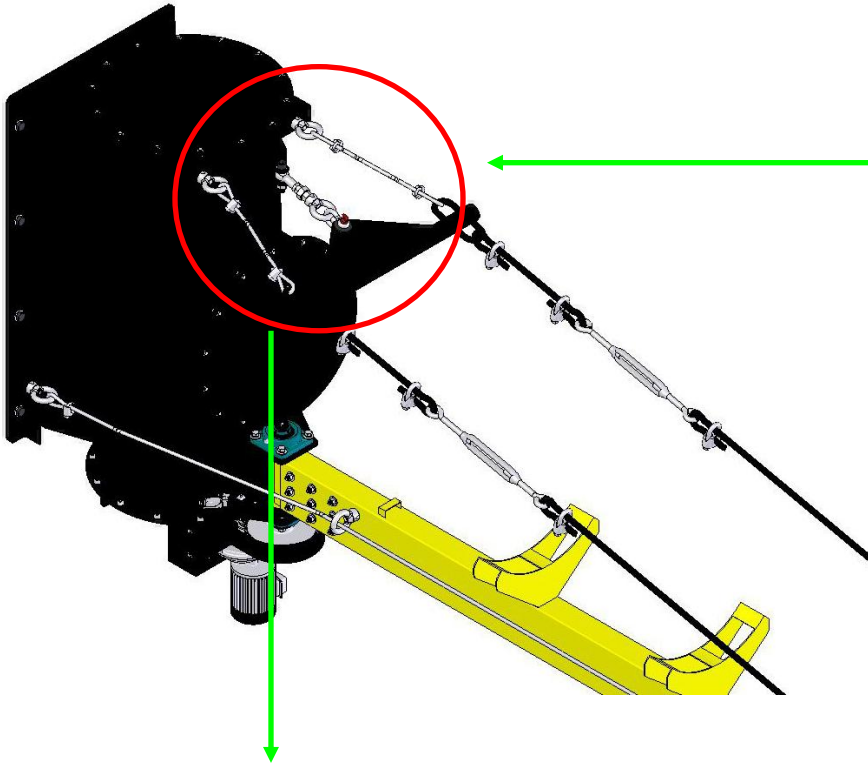
# BAY-2



# BAY-2



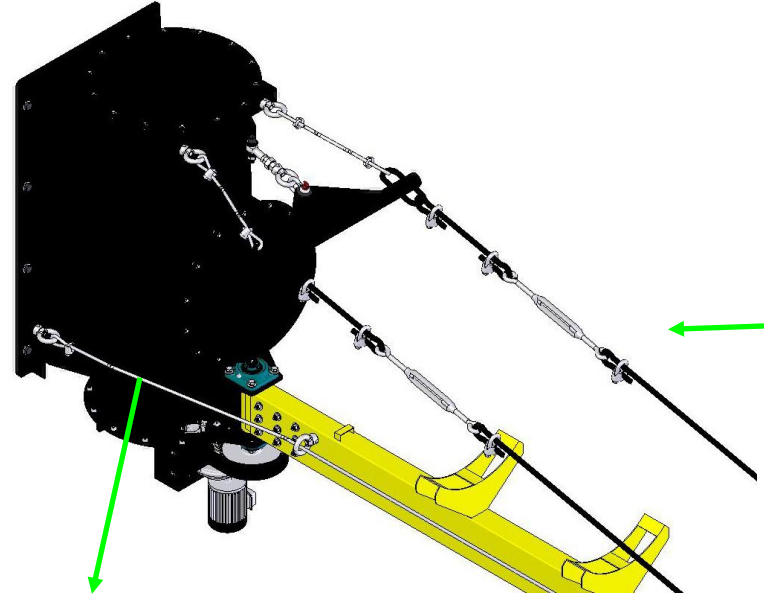
# BAY-2



➤ **Safety Steel Cable.**

**Specification : 1/2" x 1M.**

# BAY-2

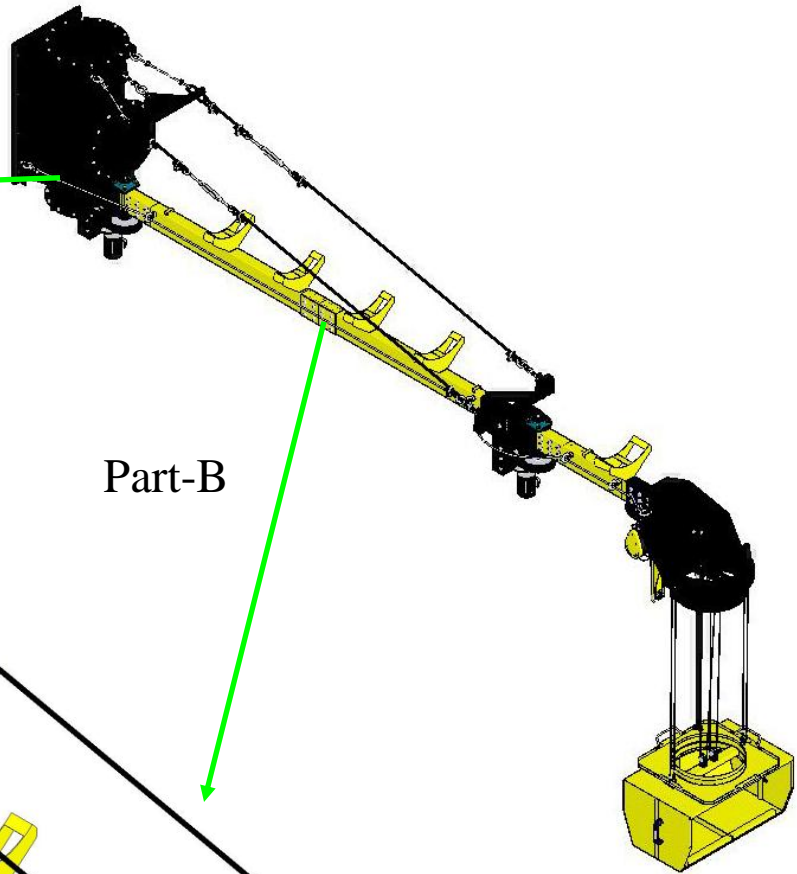


Part-A

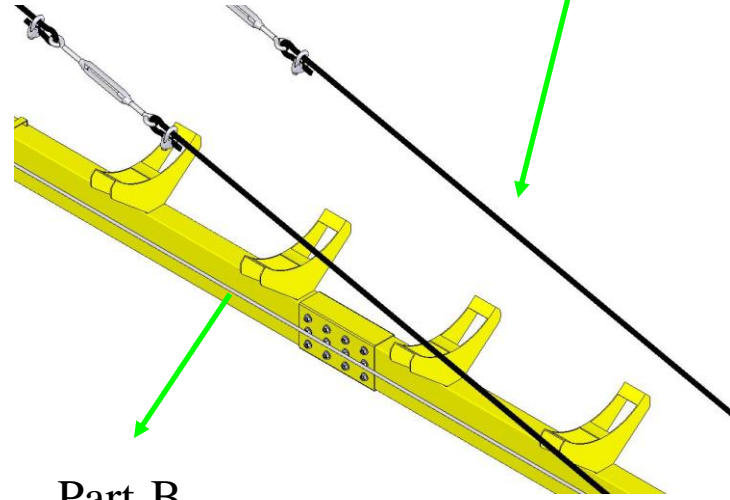
➤ **Safety Steel Cable.**  
Specification : 1/2" x 10M.



Part-A

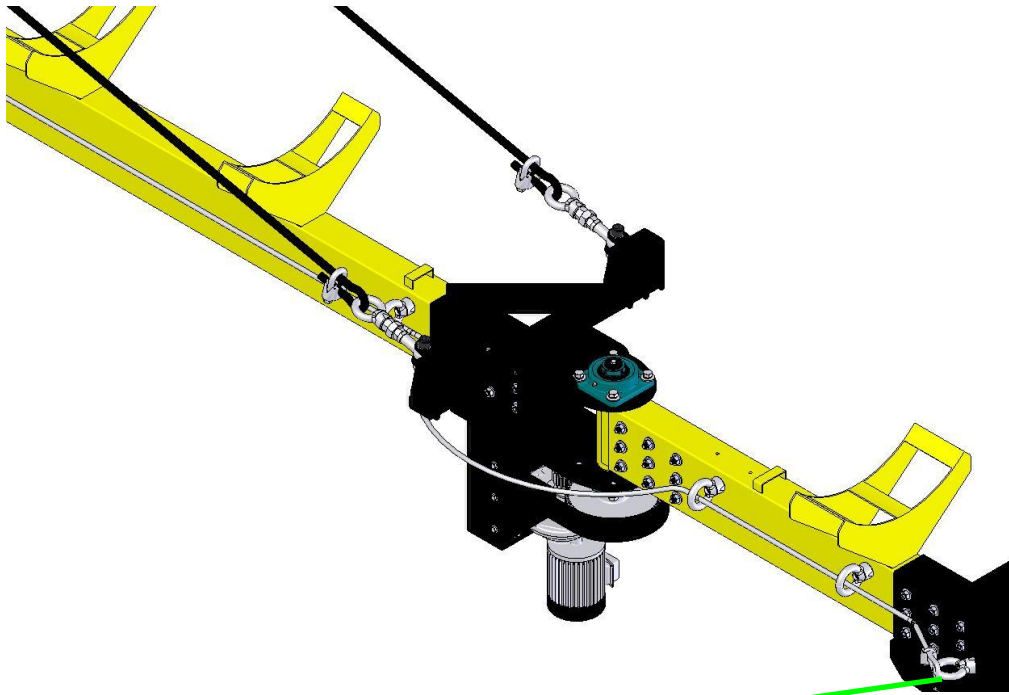


Part-B

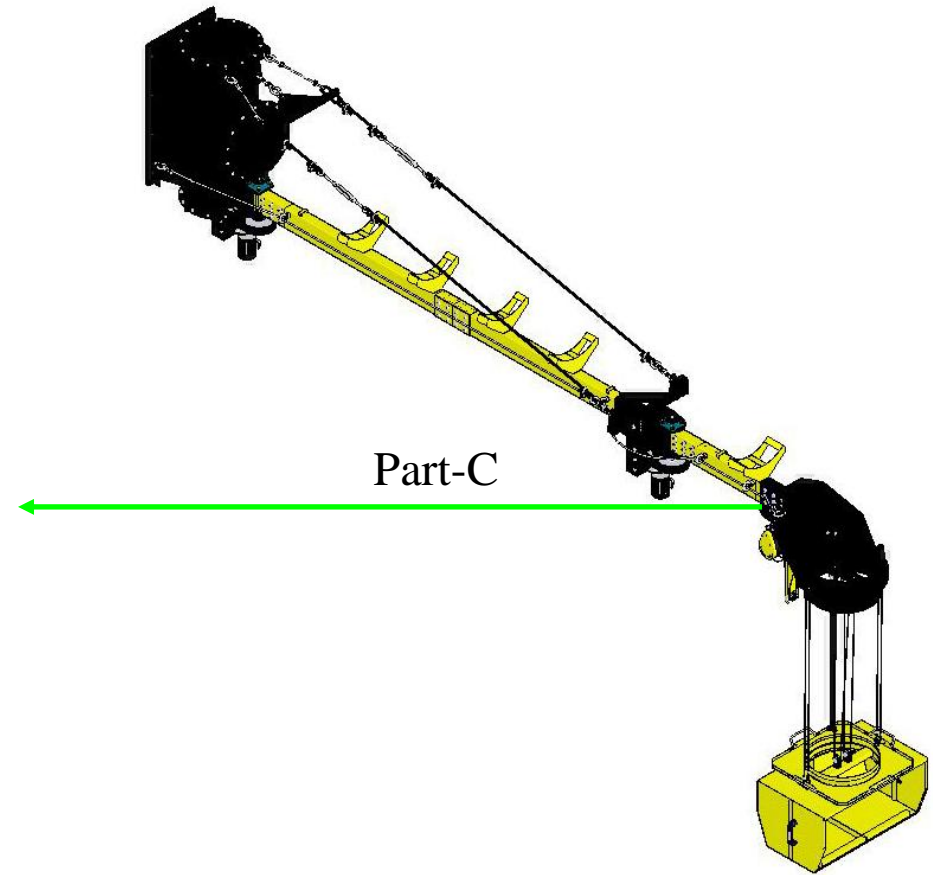


Part-B

# BAY-2



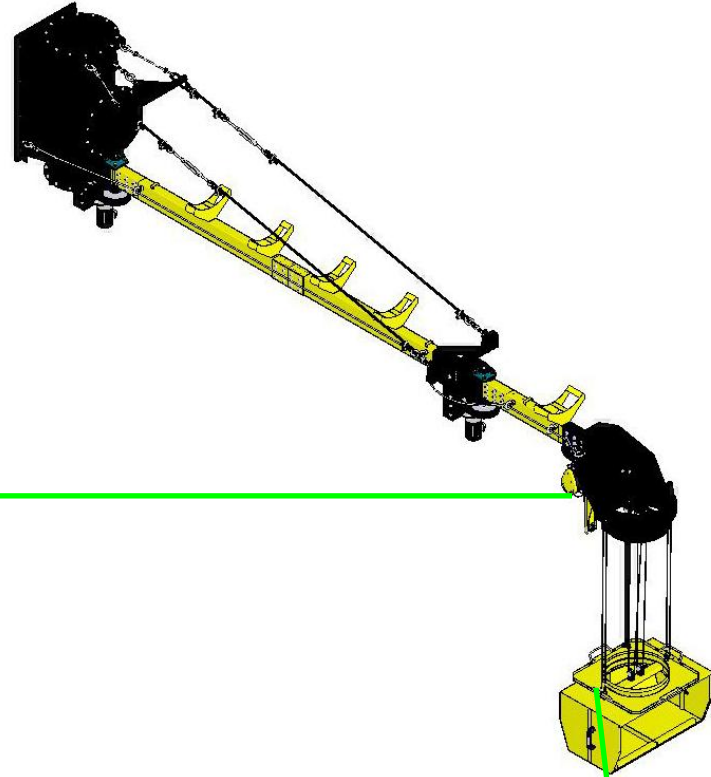
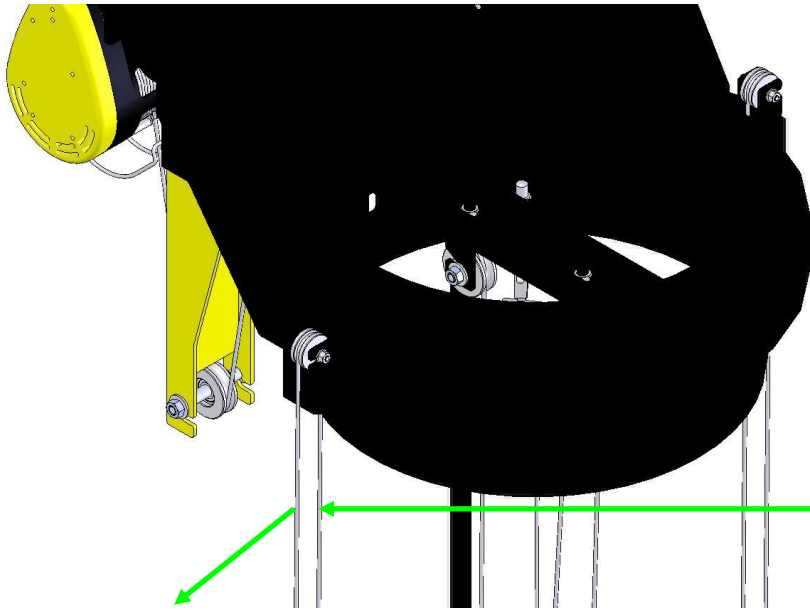
Part-C



Part-C

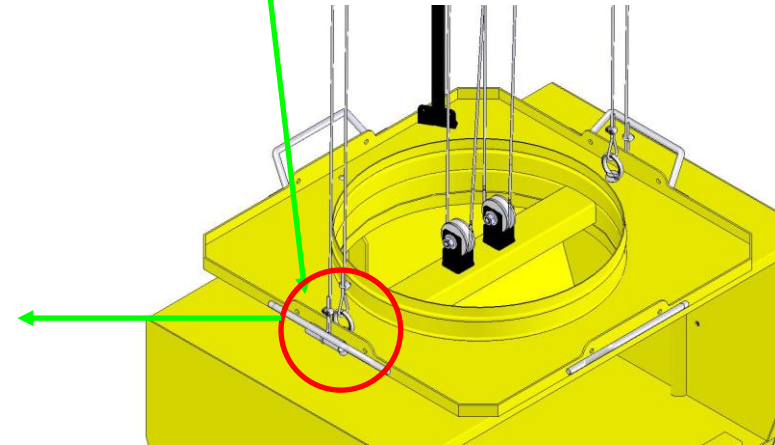


# BAY-2



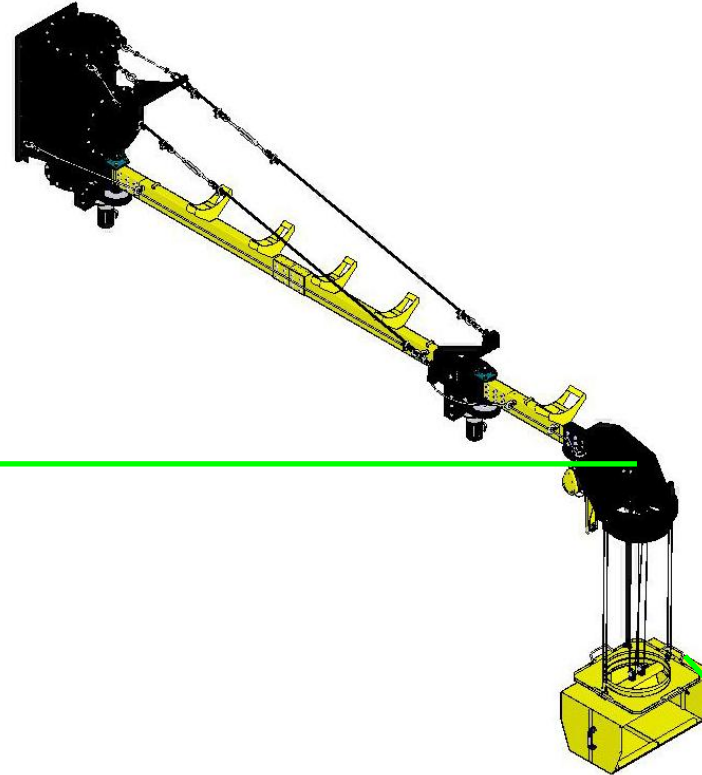
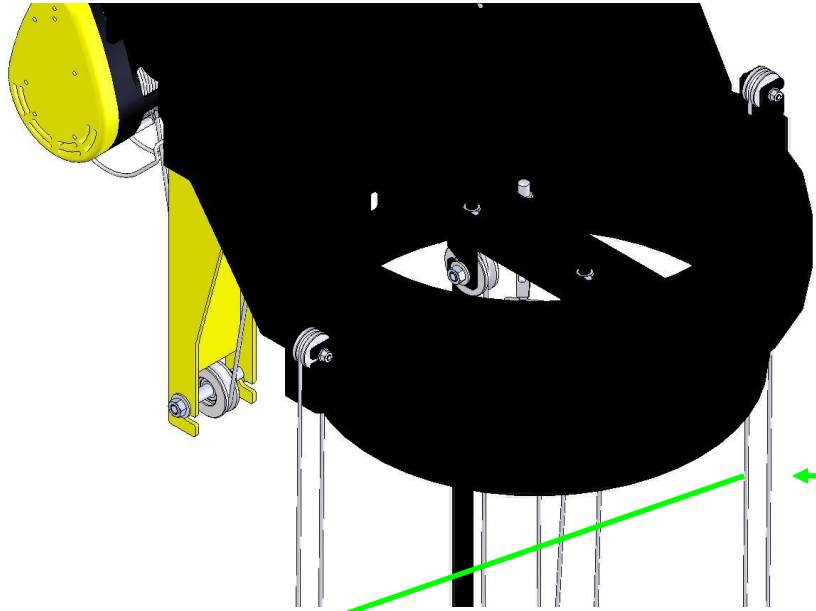
## ➤ Safety Steel Cable.

Specification : 5mm x 8M.



Connect.

# ◆ BA

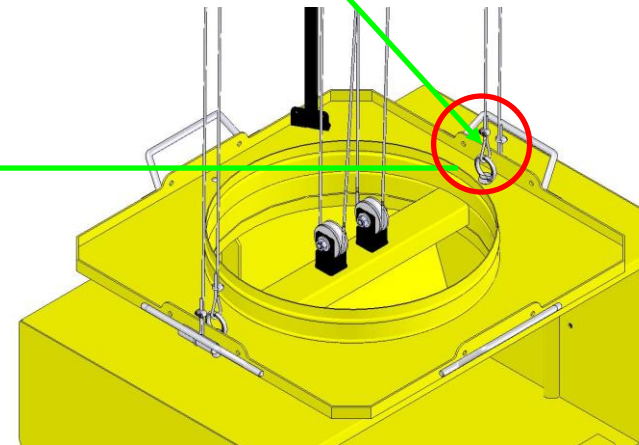


➤ **Safety Steel Cable.**

◆ **Specification : 5mmBig &**



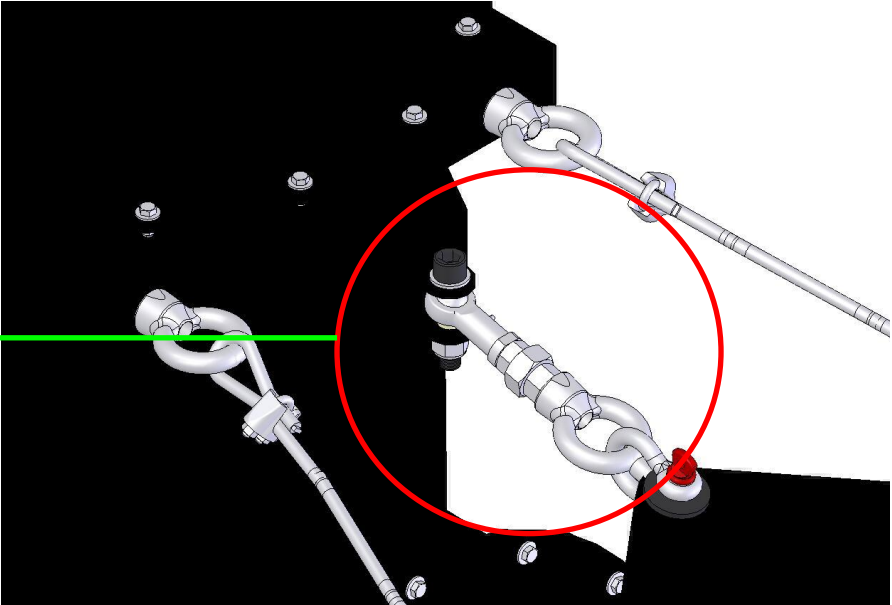
Connect.



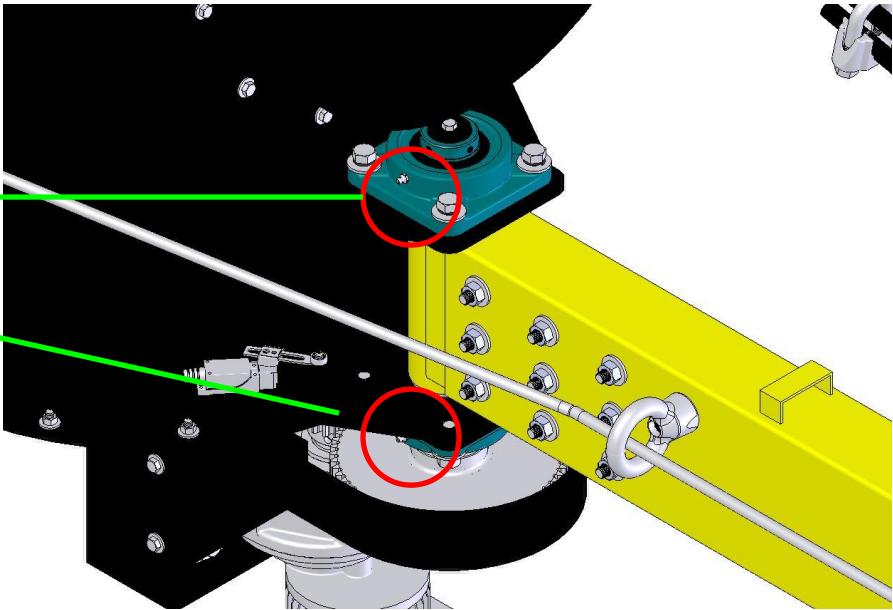
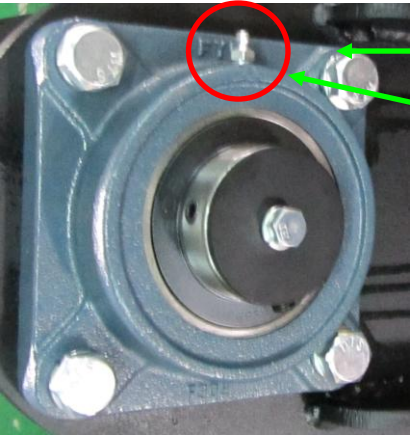
# BAY-2

➤ Maintenance:

➤ Bearing: lubricant/grease monthly.



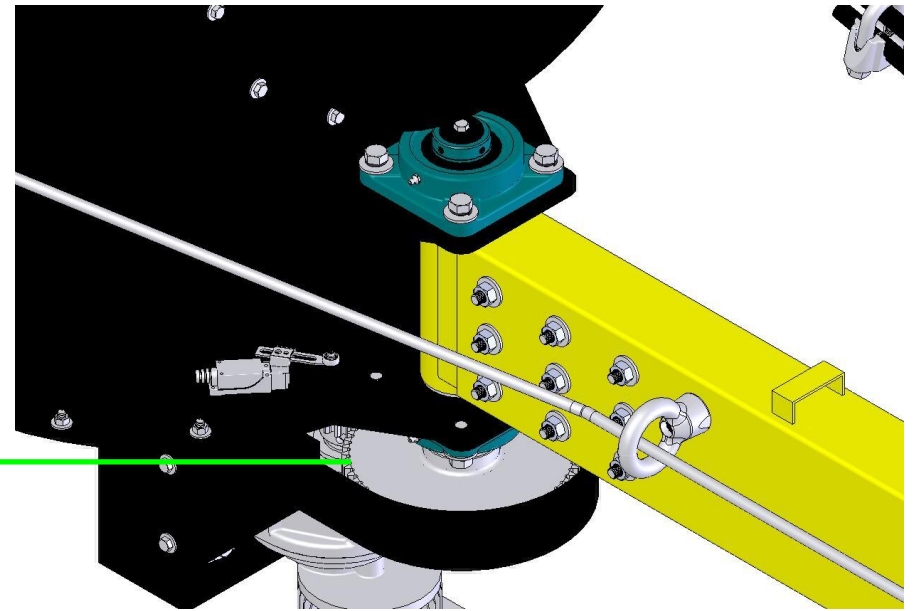
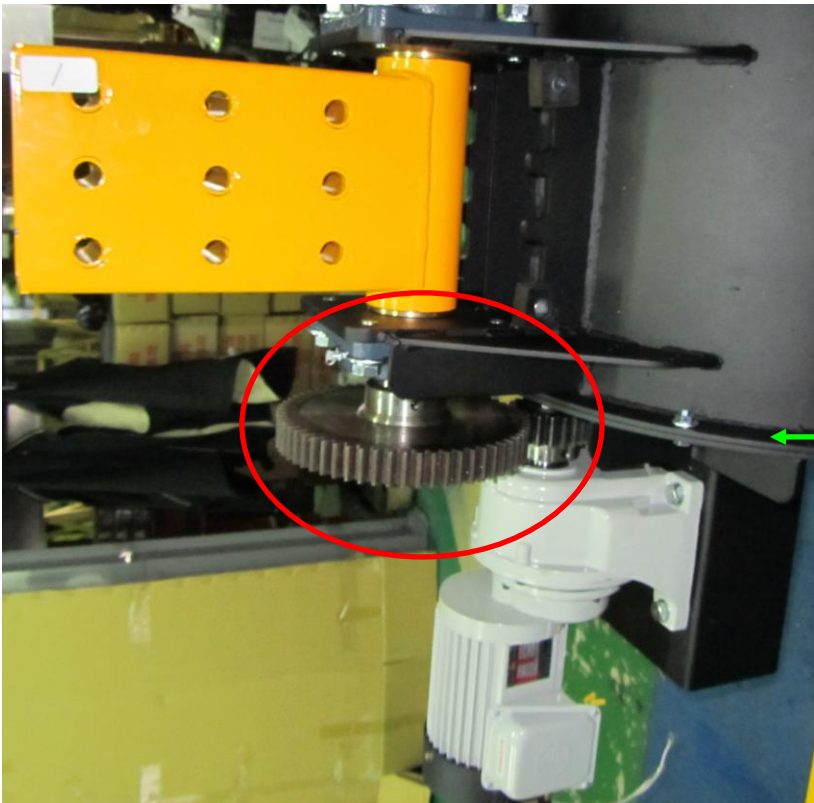
➤ Lubrication once monthly.





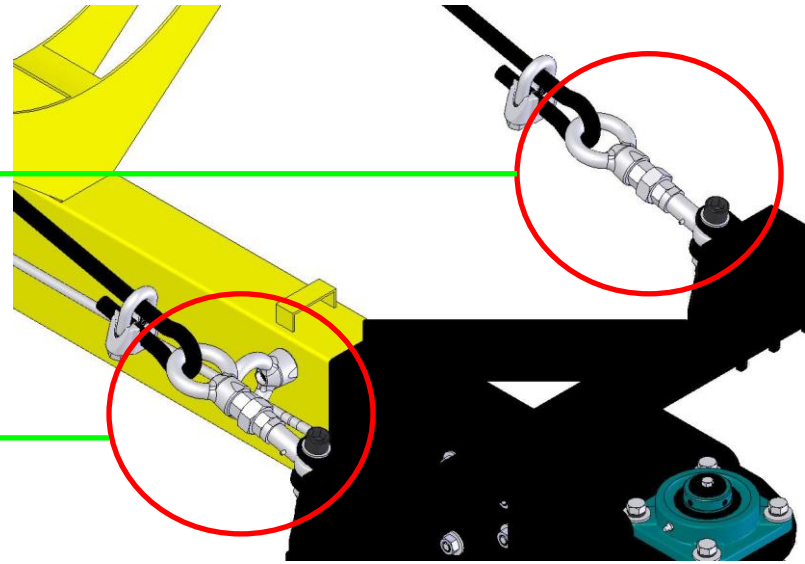
# BAY-2

- Big & Small Gear: lubrication once monthly.

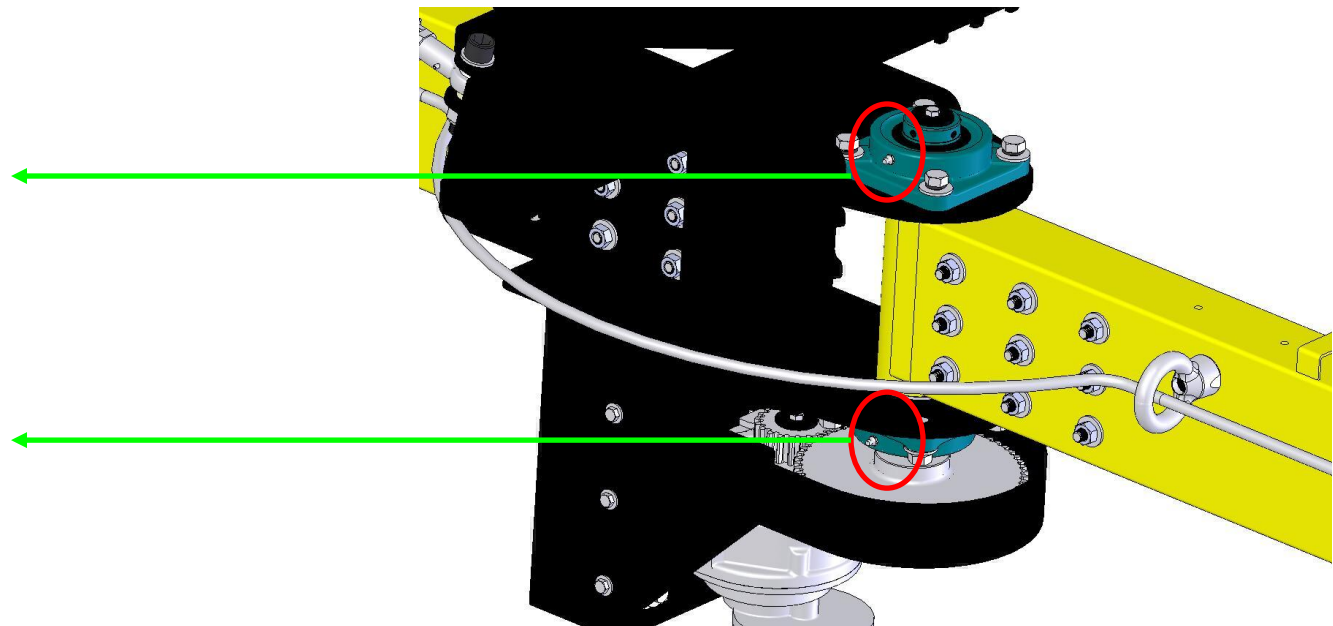


# BAY-2

➤ Bearing: lubricant/grease monthly.

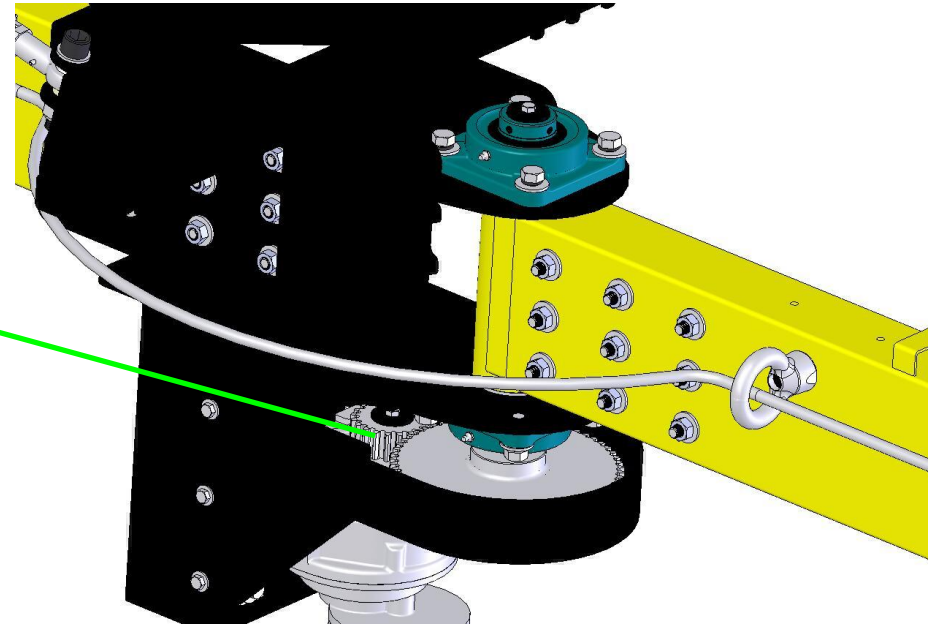


➤ Lubrication once monthly.

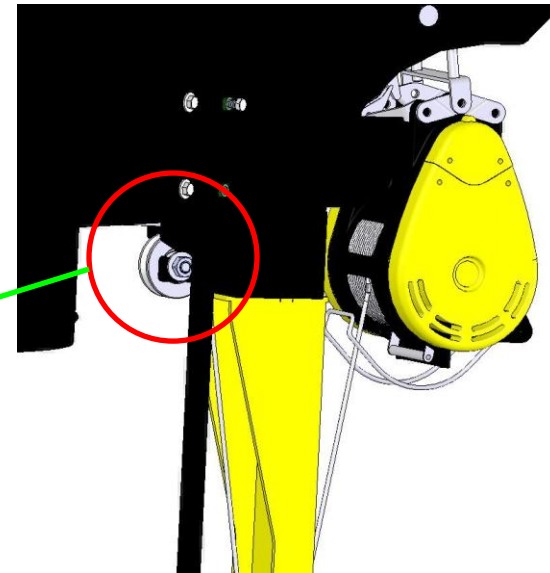
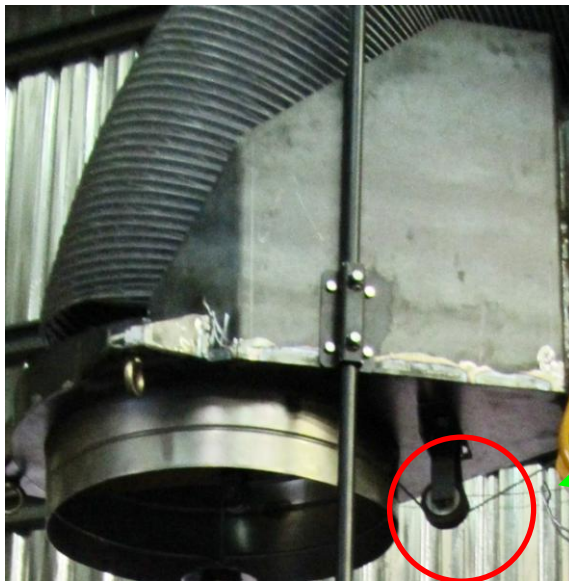


# BAY-2

- Big & Small Gear: lubrication once monthly.

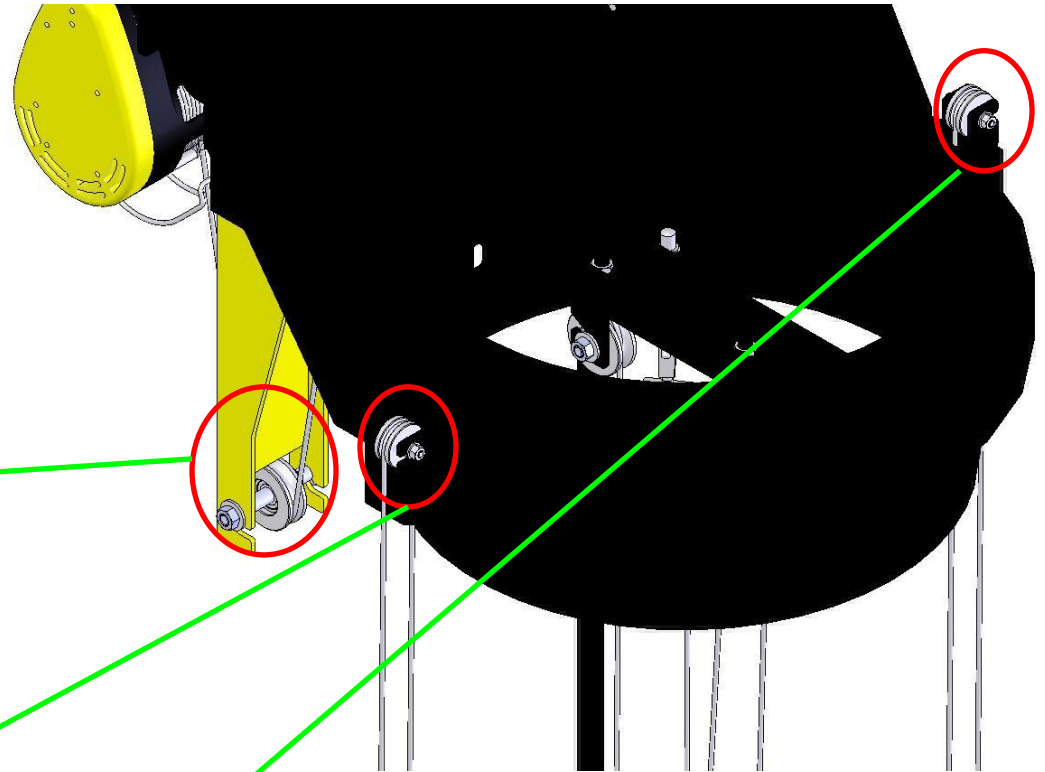


- Casters: lubrication once monthly.

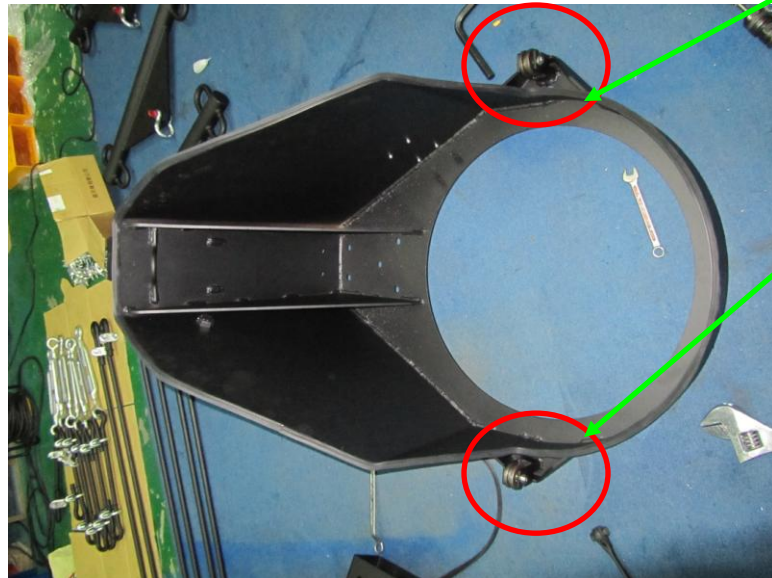


# BAY-2

- Casters: lubrication once monthly.

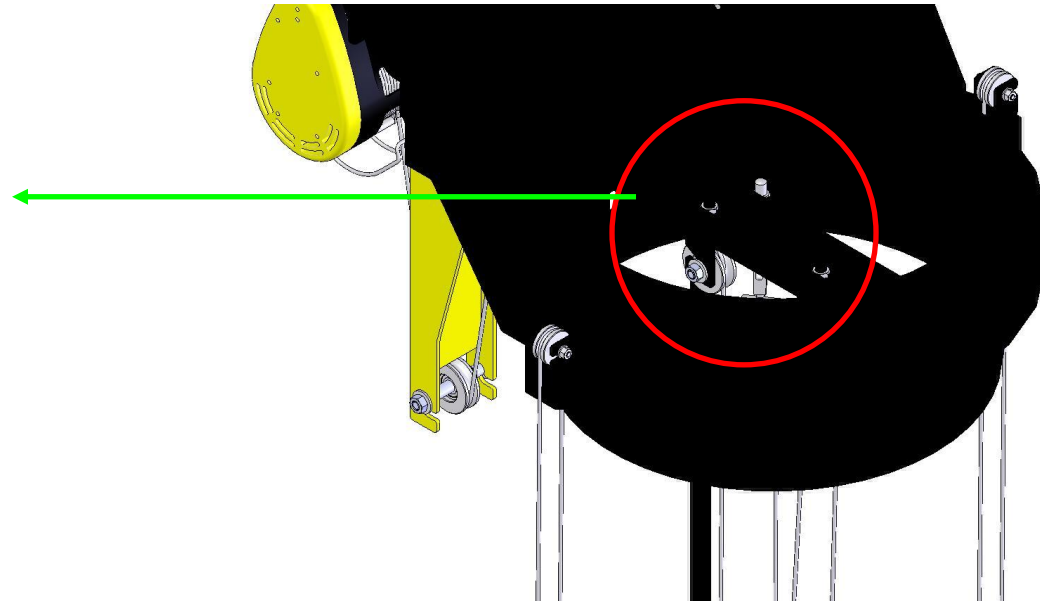
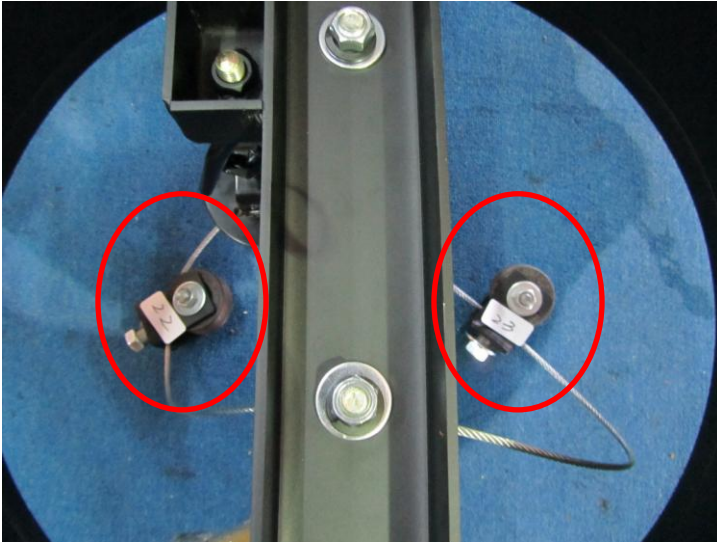


- Casters: lubrication once monthly.

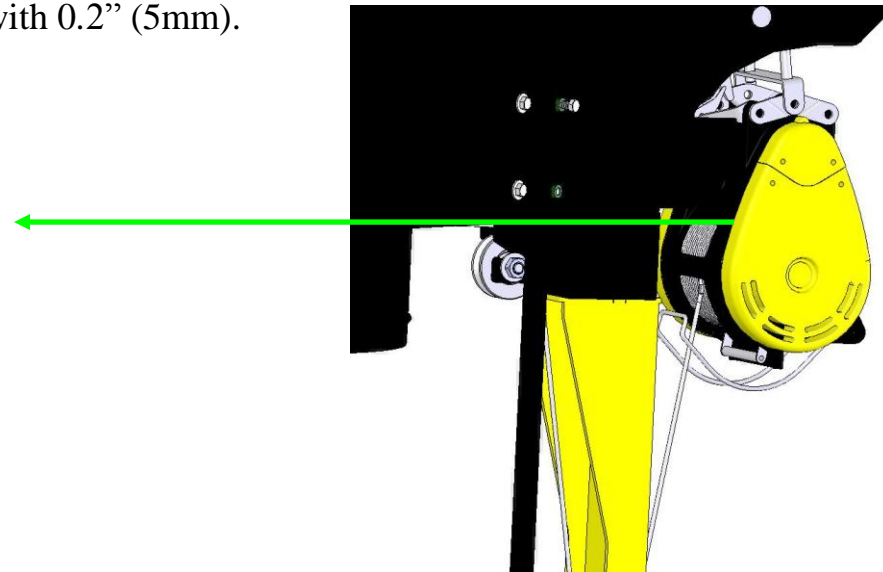


# BAY-2

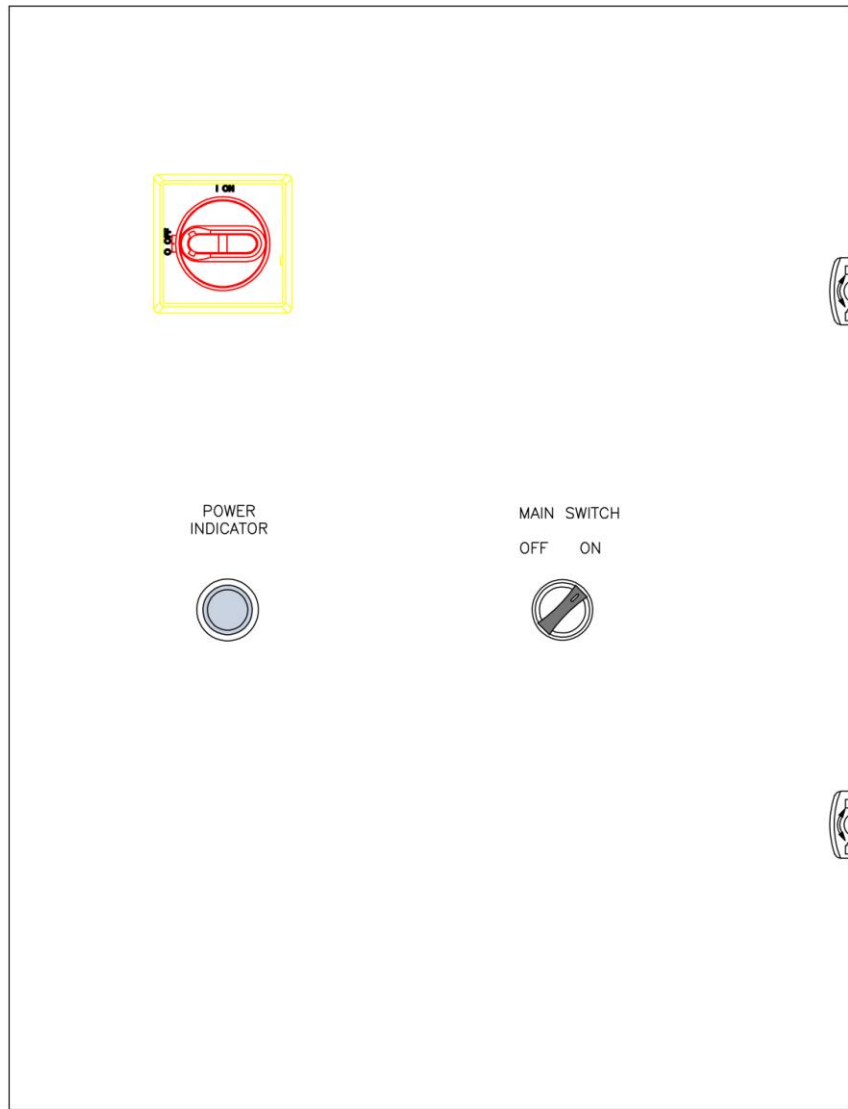
- Casters: lubrication once monthly.



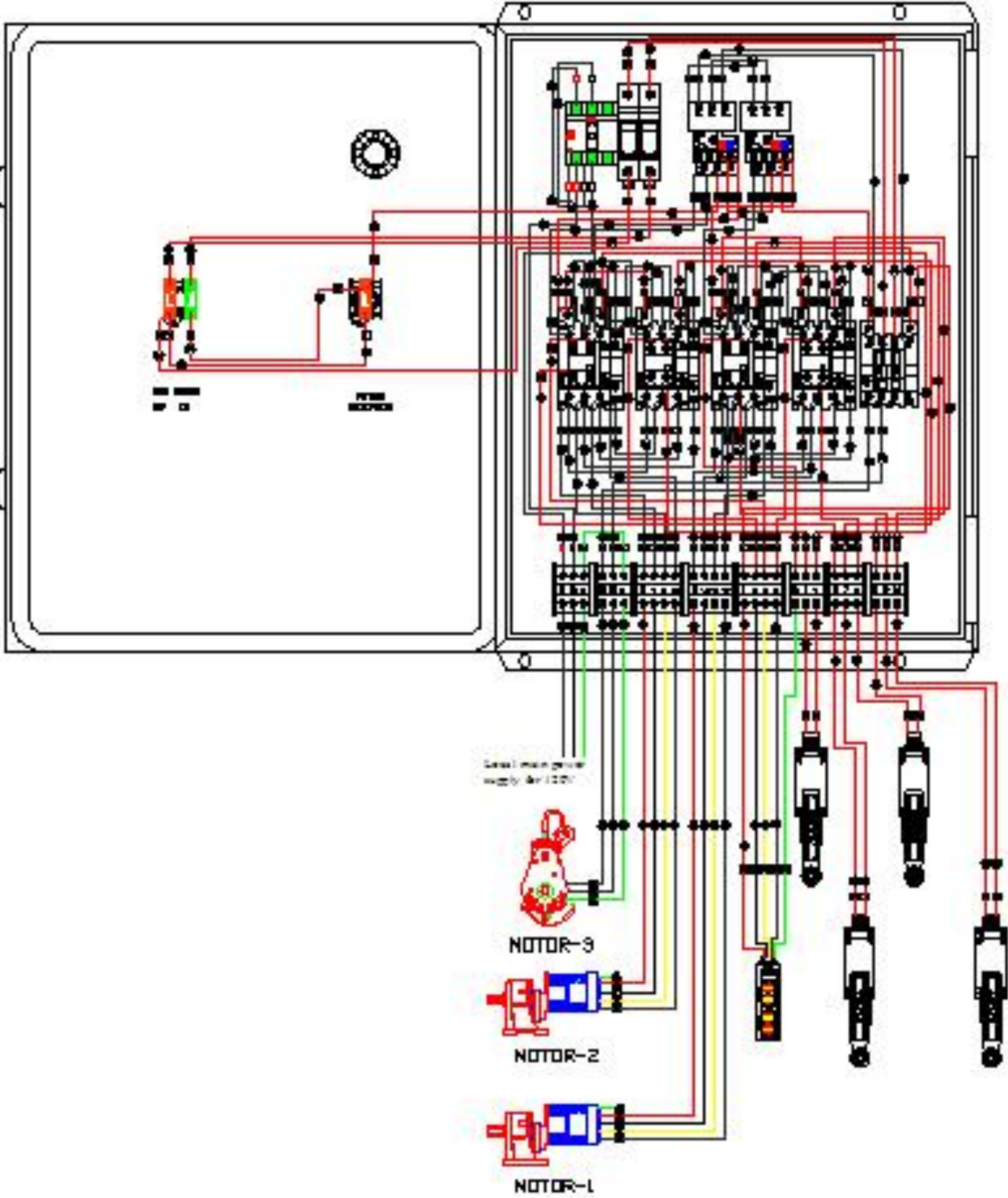
- Check the carbon brush lifespan and length for motor 3 every 6 months. Replace carbon brushes when the brush length is left with 0.2" (5mm).



# Main Electrical Box Components for BAY-2

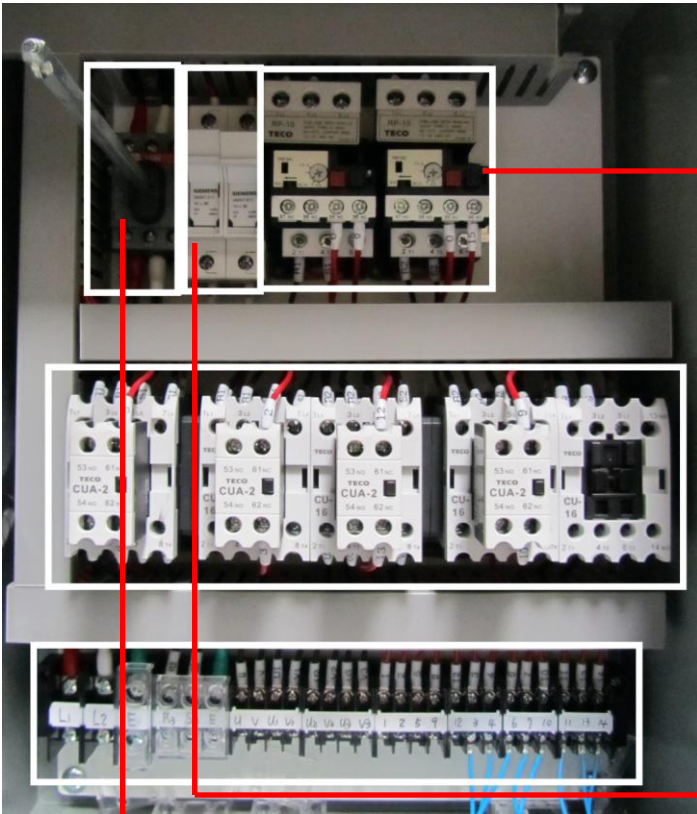


# Main Electrical Box Wiring for BAY-2



# Main Electrical Box Components

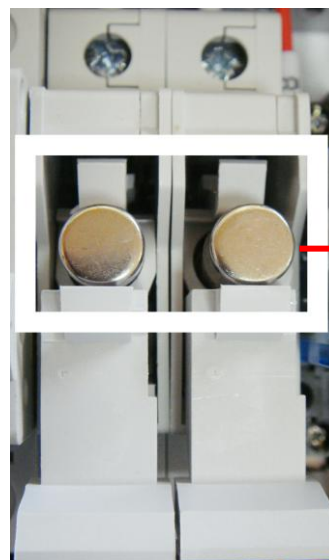
➤ Thermal Relay.



➤ Panel disconnect switch.



➤ Fuse bus.





# Main Electrical Box Components

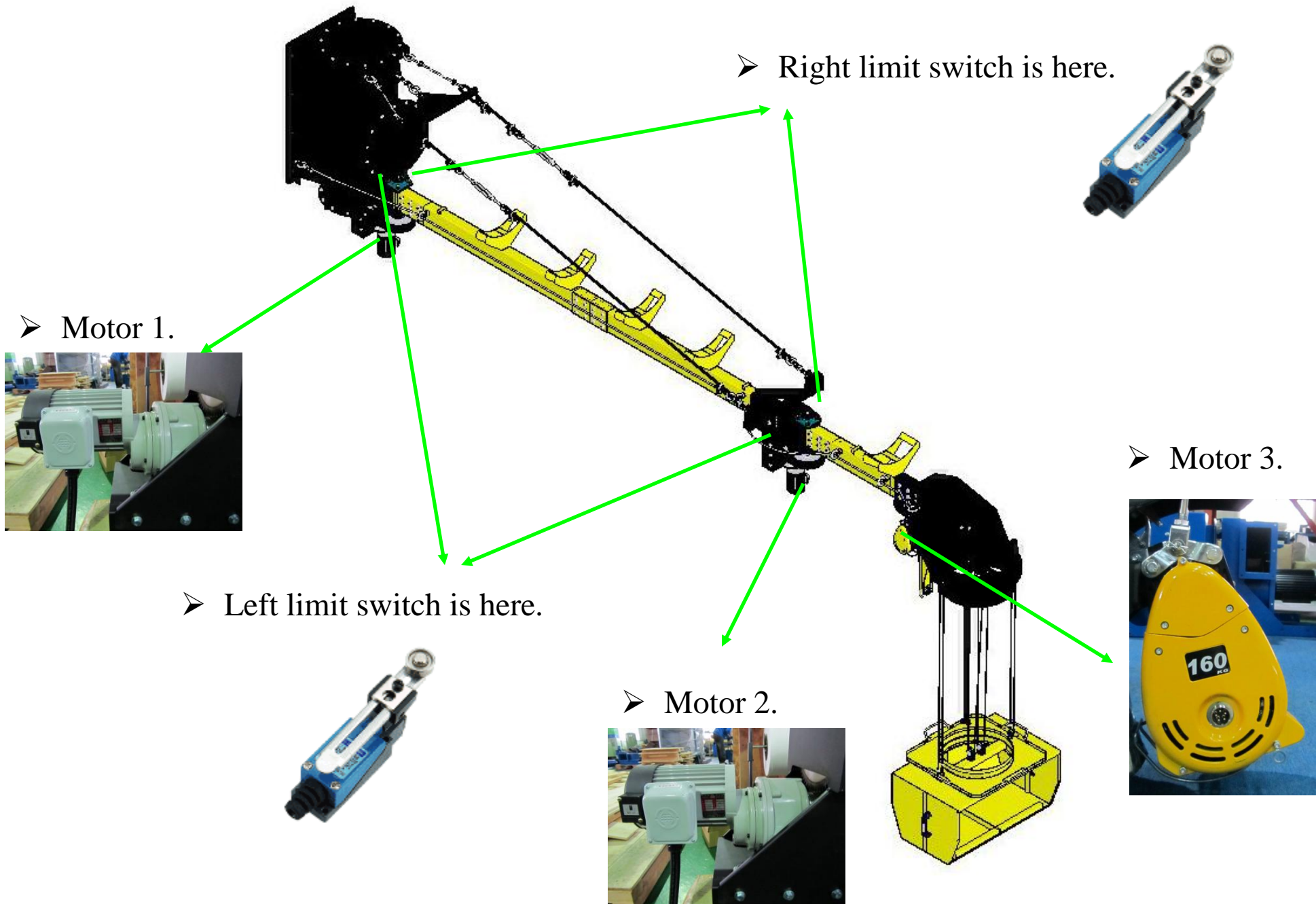


➤ **Auxiliary Contact Blocks.**

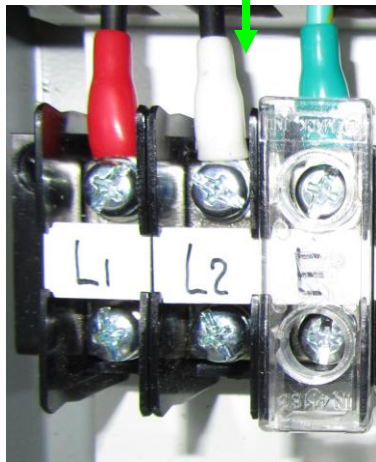
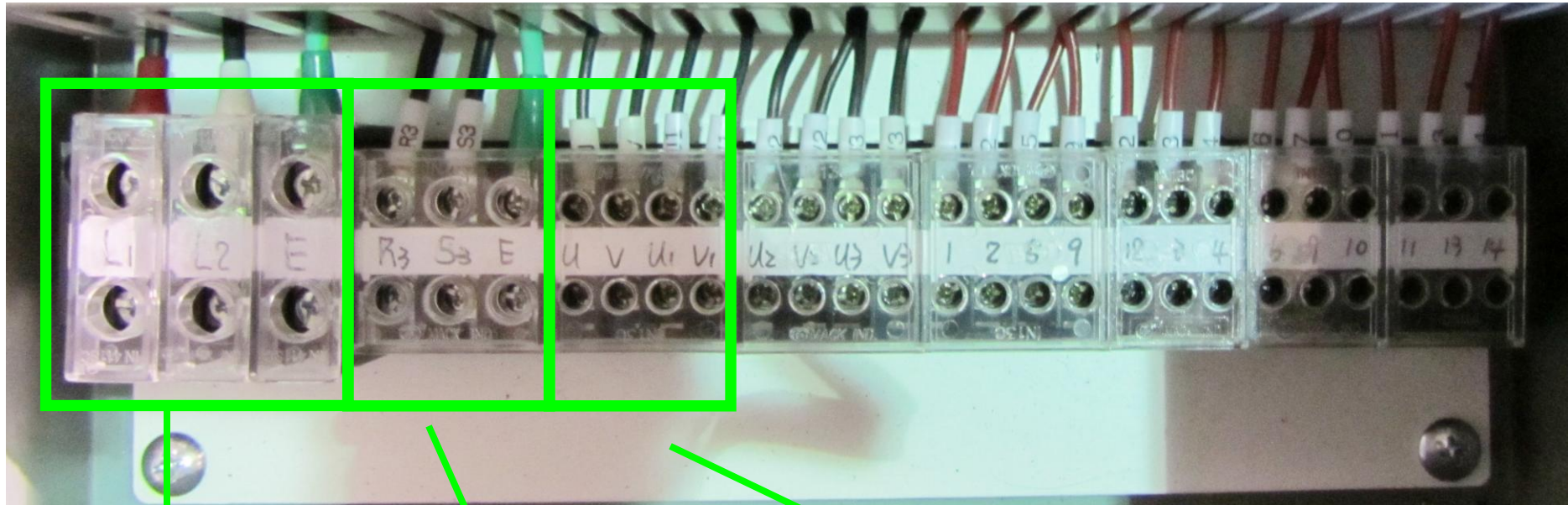
➤ **Magnetic contactor.**



# Main Electrical Box Components



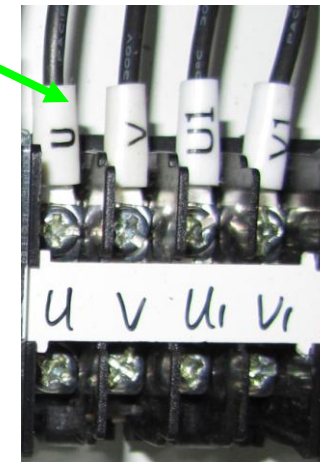
## Main Electrical Box Components



- Connect to main power supply for BAY-2. (120V)

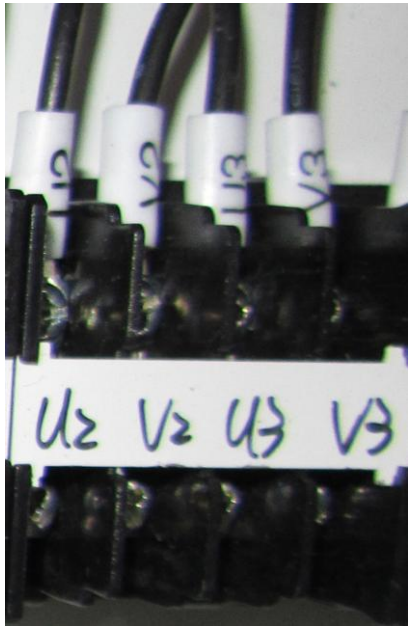
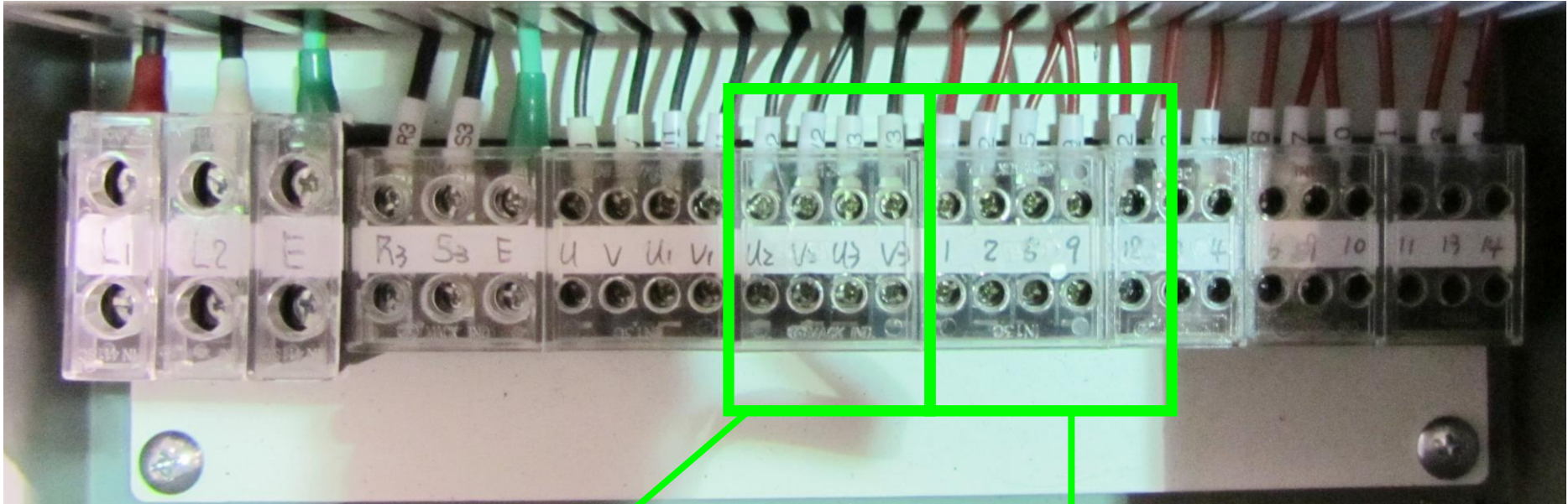


- Connect to motor 3 power supply for BAY-2.

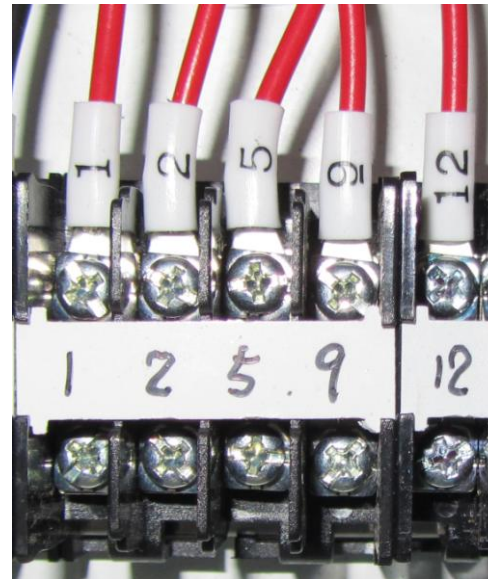


- Connect to motor 2 power supply for BAY-2.

# Main Electrical Box Components

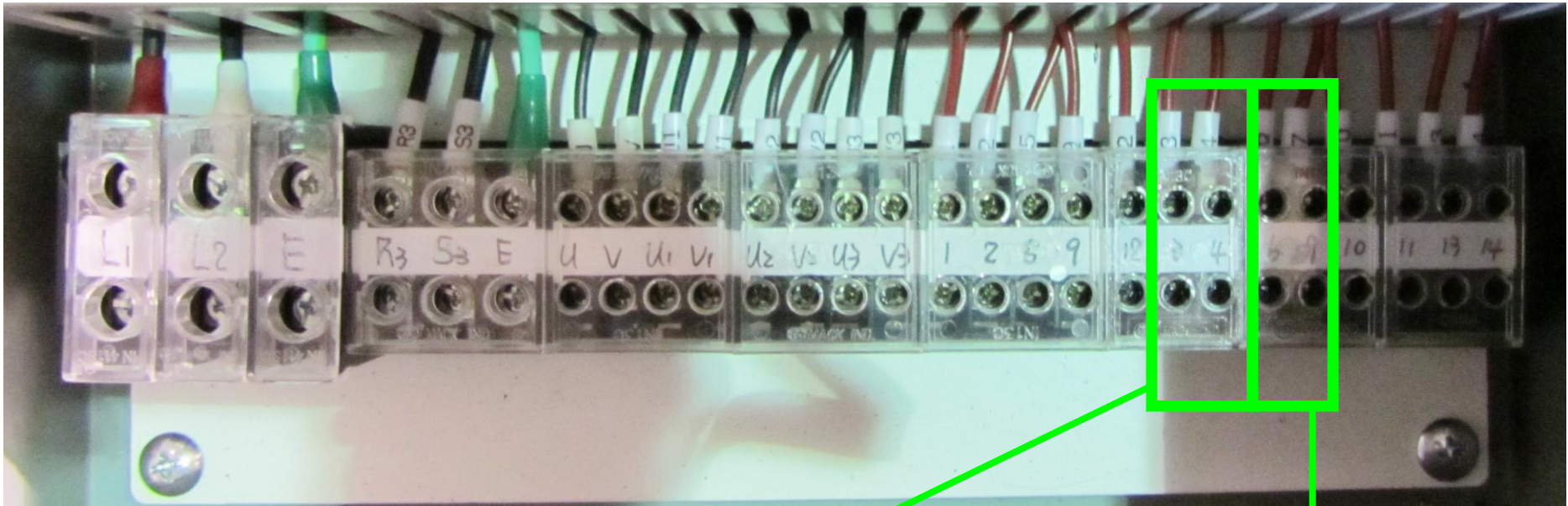


➤ Connect to motor 1 power supply for BAY-2.



➤ Connect to the complete pendant push button controls for BAY-2.

# Main Electrical Box Components

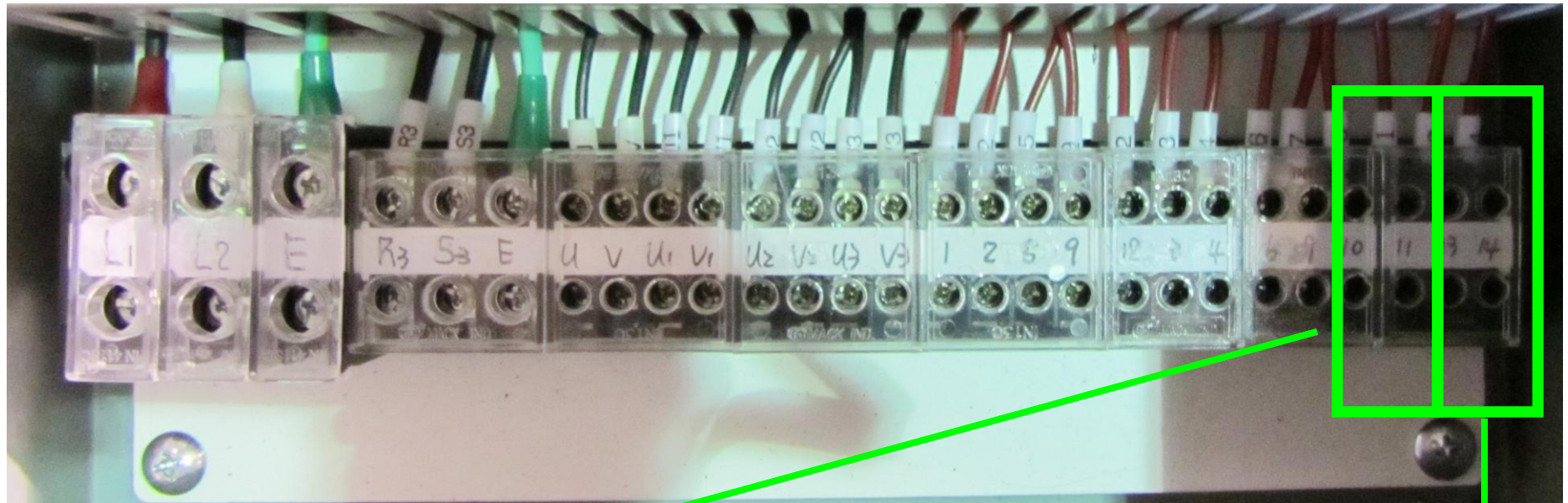


- Connect to the left limit switch of the motor 2 for BAY-2.

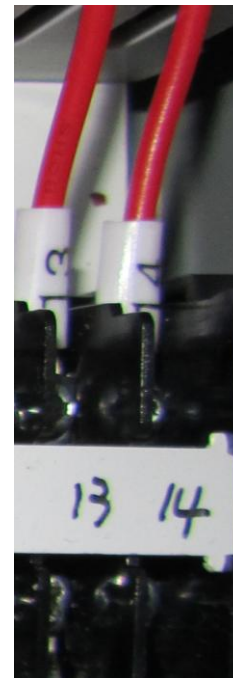


- Connect to the right limit switch of the motor 2 for BAY-2.

## Main Electrical Box Components



- Connect to the left limit switch of the motor 1 for BAY-2



- Connect to the right limit switch of the motor 1 for BAY-2.