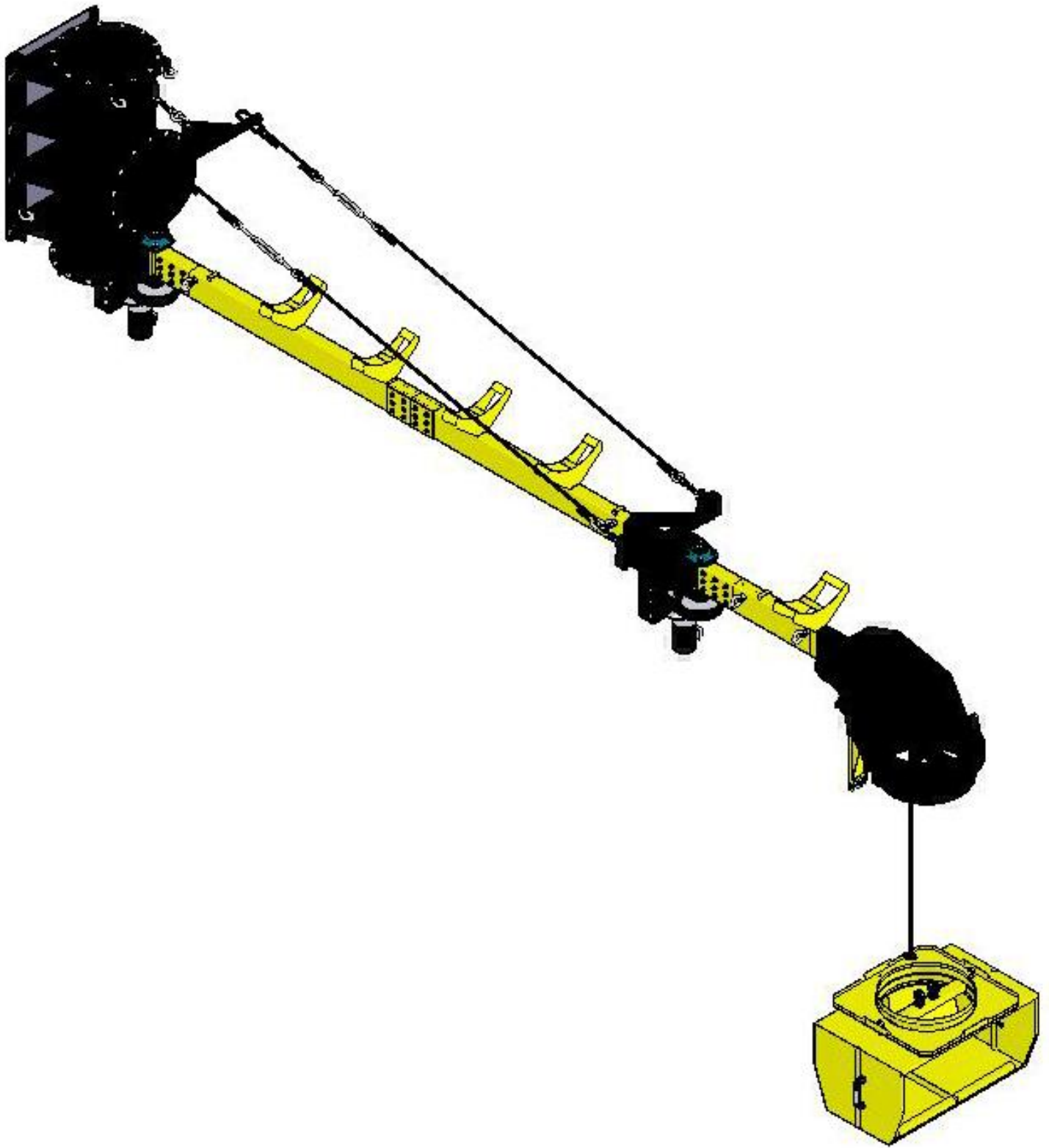
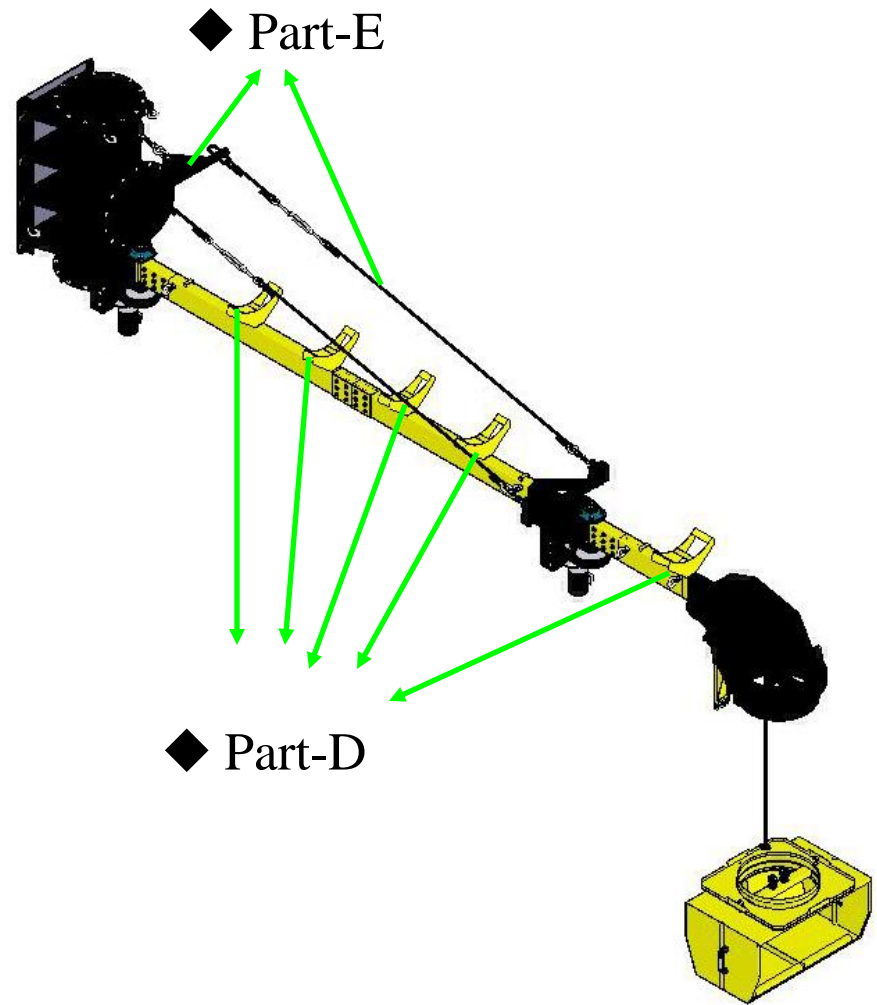
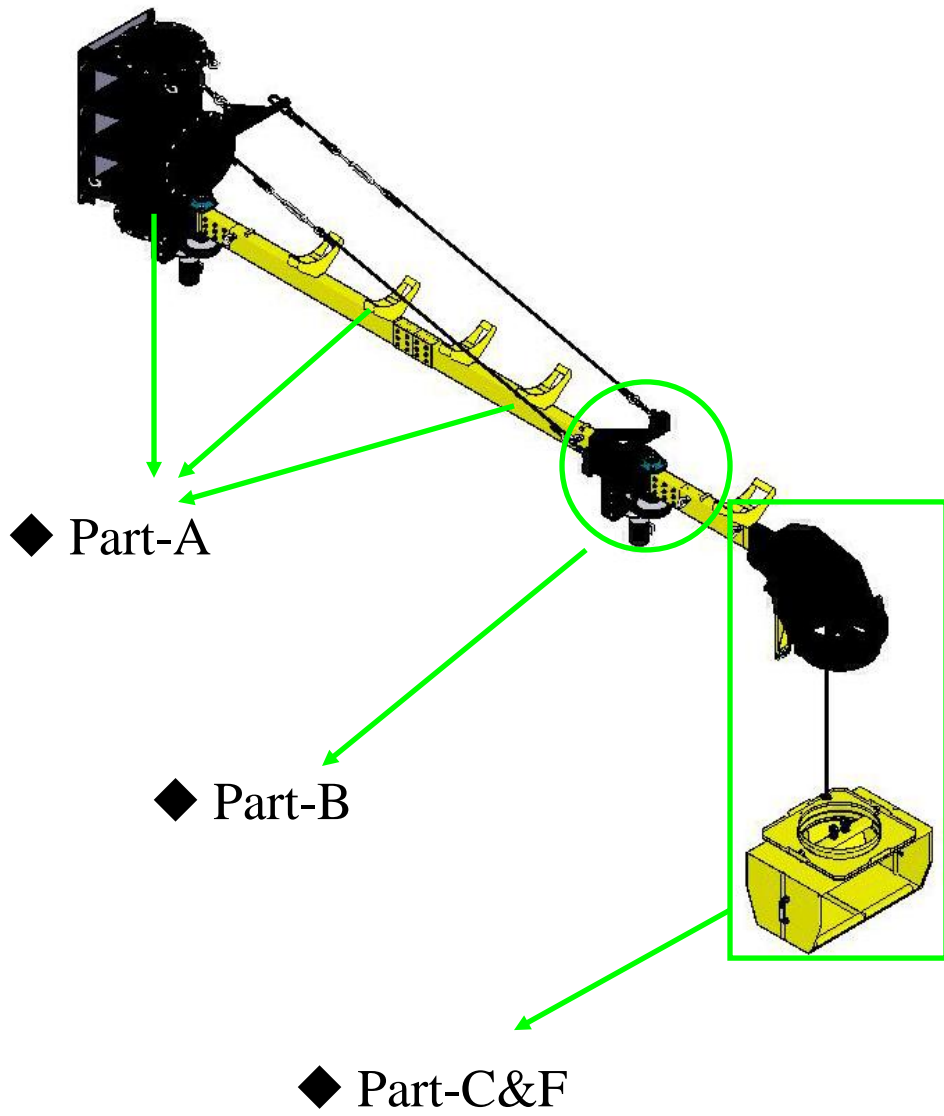


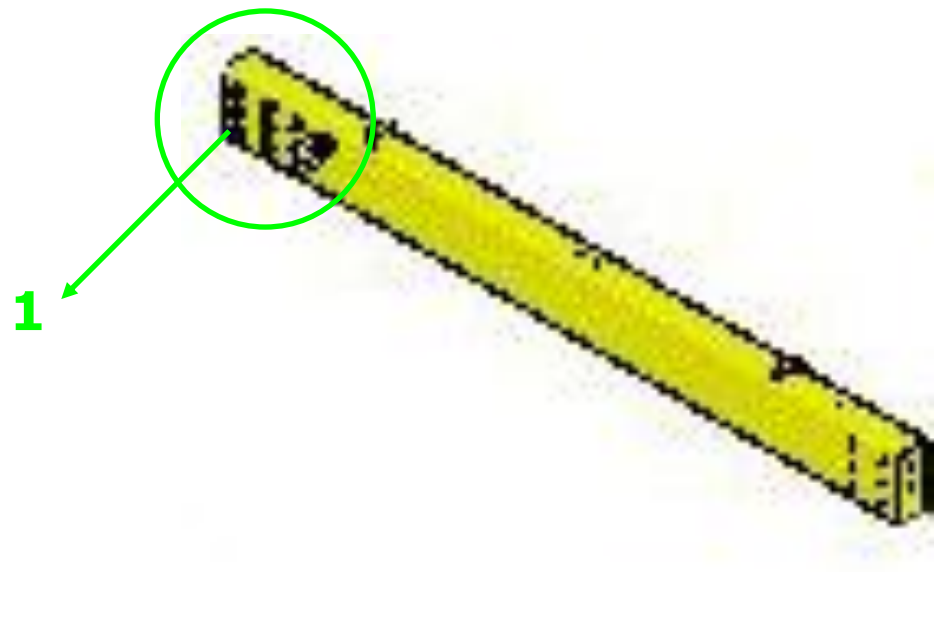
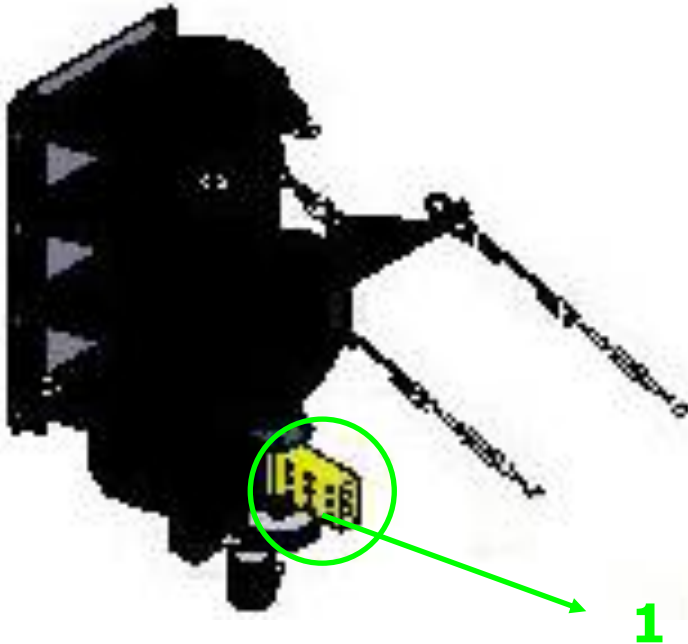
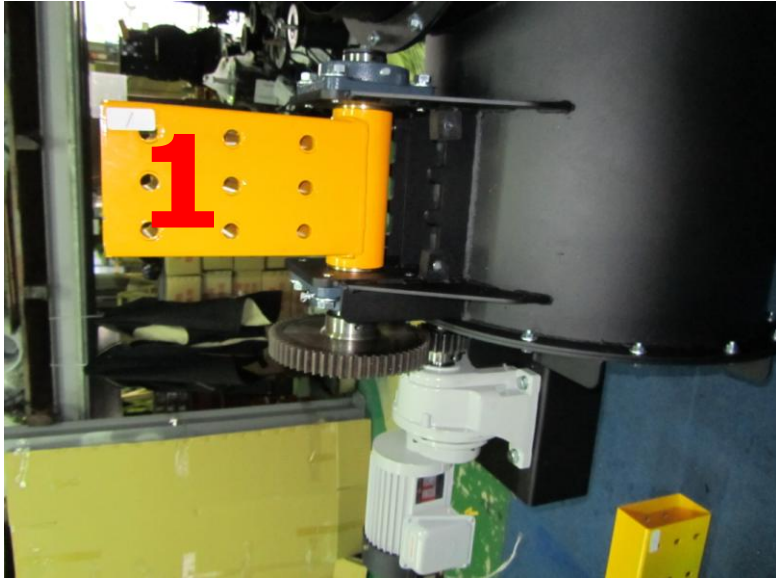
BAY-2



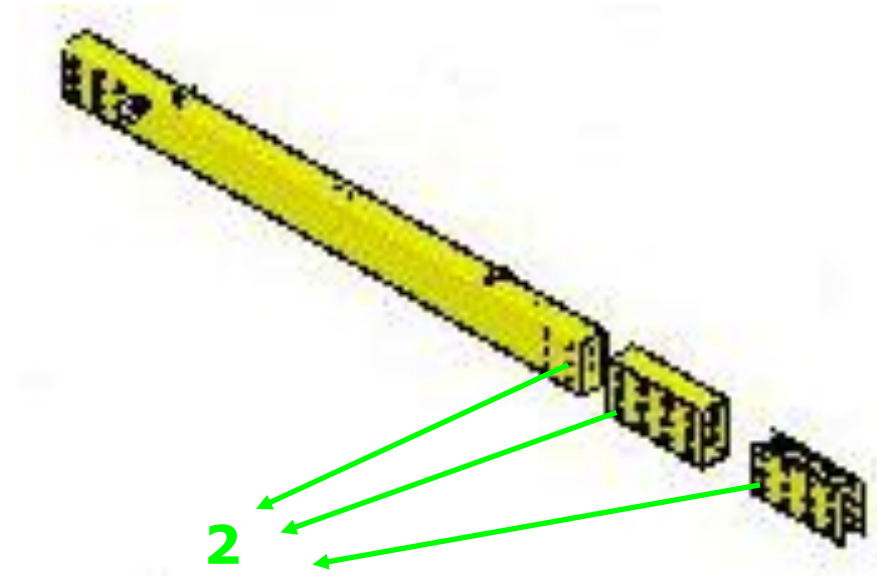


◆Part-A

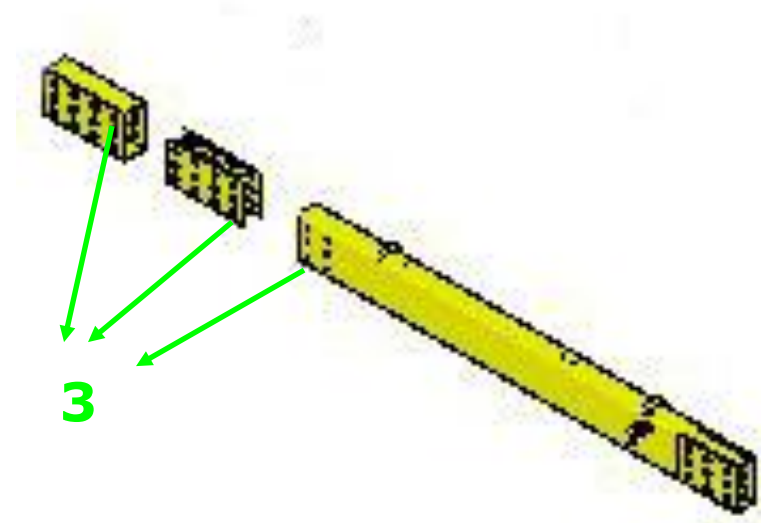
- Connect the number 1 with Half-threaded Screw: 1/2”*5”, Flat Washer: 1/2”*OD34*3T and Hex Nut: 1/2”



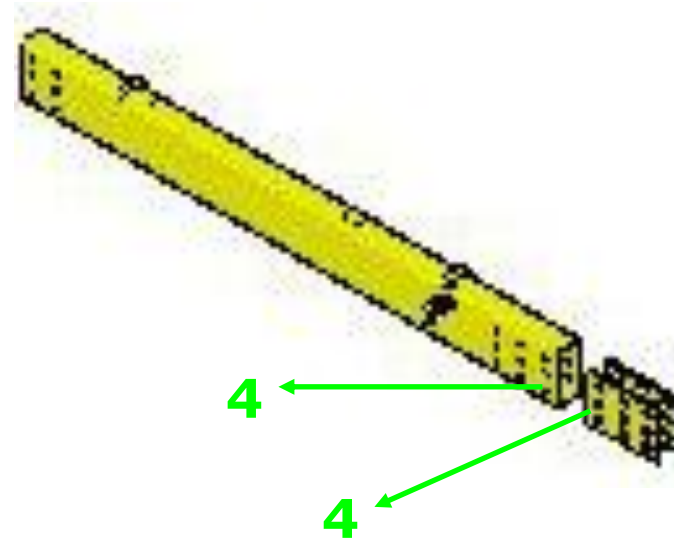
- Connect the number 2 with Half-threaded Screw: 1/2''*5'', Flat Washer: 1/2''*OD34*3T and Hex Nut: 1/2''



- Connect the number 3 with Half-threaded Screw: 1/2''*5'', Flat Washer: 1/2''*OD34*3T and Hex Nut: 1/2''

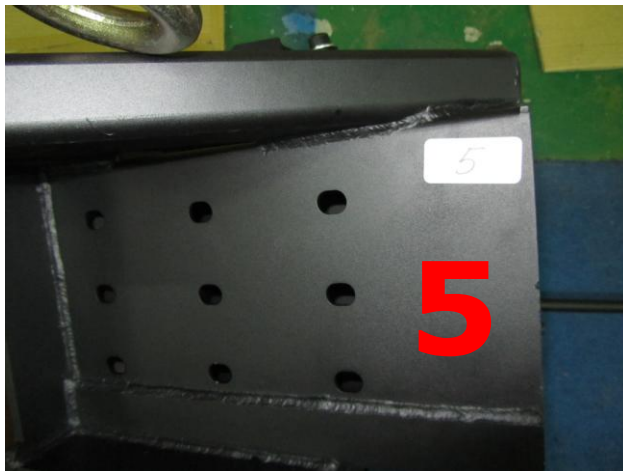


- Connect the number 4 with Half-threaded Screw: 1/2"×5", Flat Washer: 1/2"×OD34×3T and Hex Nut: 1/2"

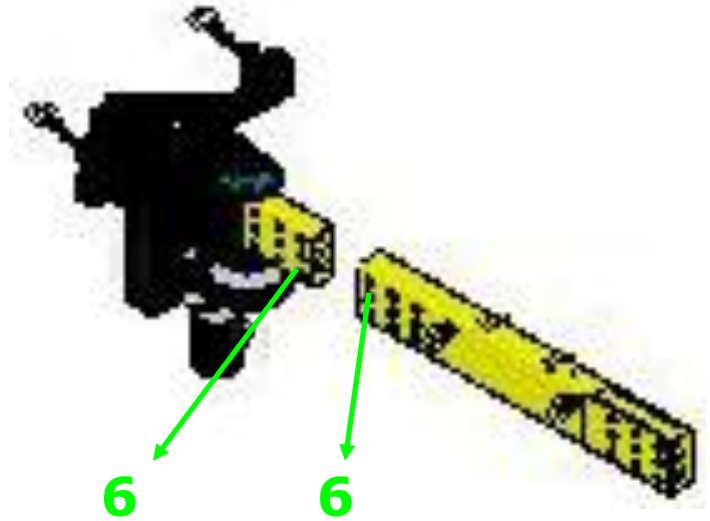


◆Part-B

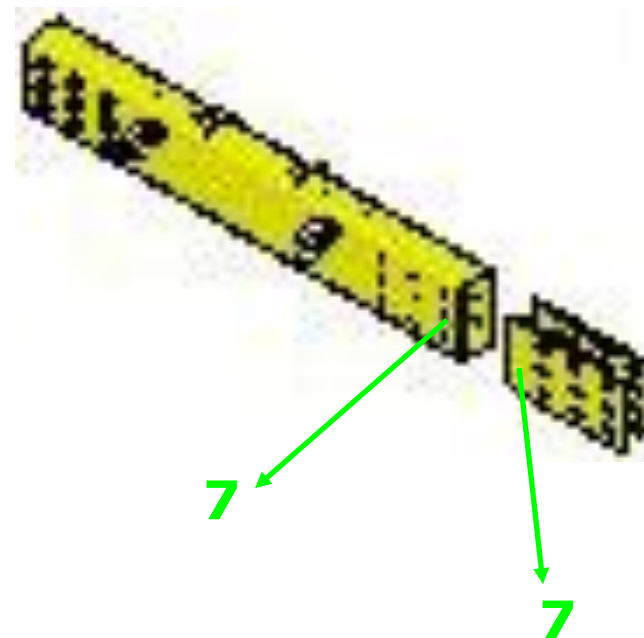
- Connect the number 5 with Half-threaded Screw: 1/2"×5", Flat Washer: 1/2"×OD34×3T and Hex Nut: 1/2"



- Connect the number 6 with Half-threaded Screw: 1/2"×5", Flat Washer: 1/2"×OD34×3T and Hex Nut: 1/2"

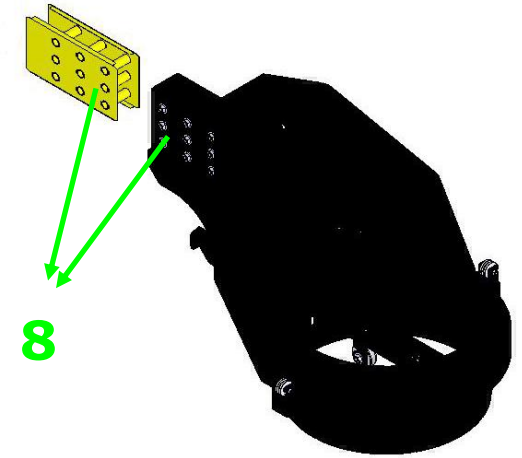


- Connect the number 7 with Half-threaded Screw: 1/2"×5", Flat Washer: 1/2"×OD34×3T and Hex Nut: 1/2"



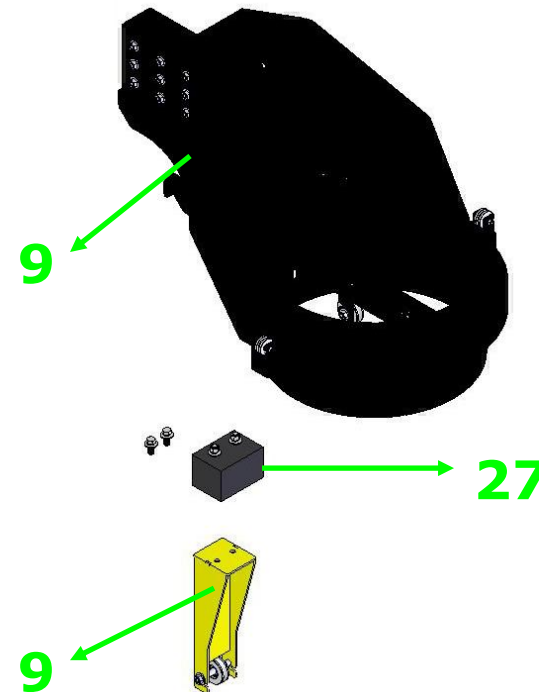
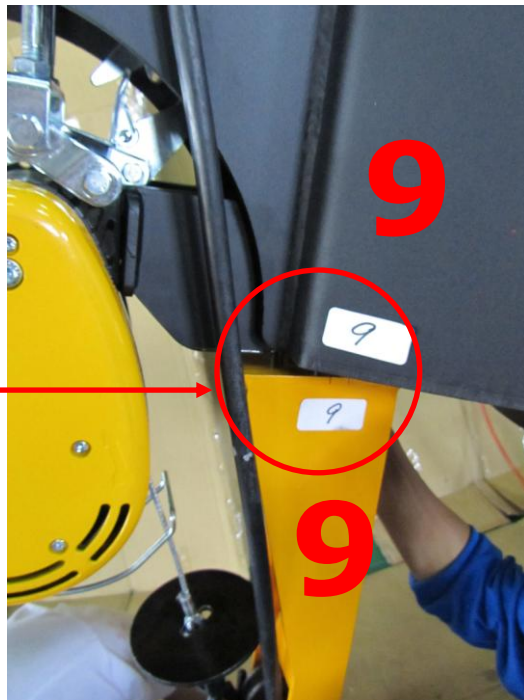
◆Part-C

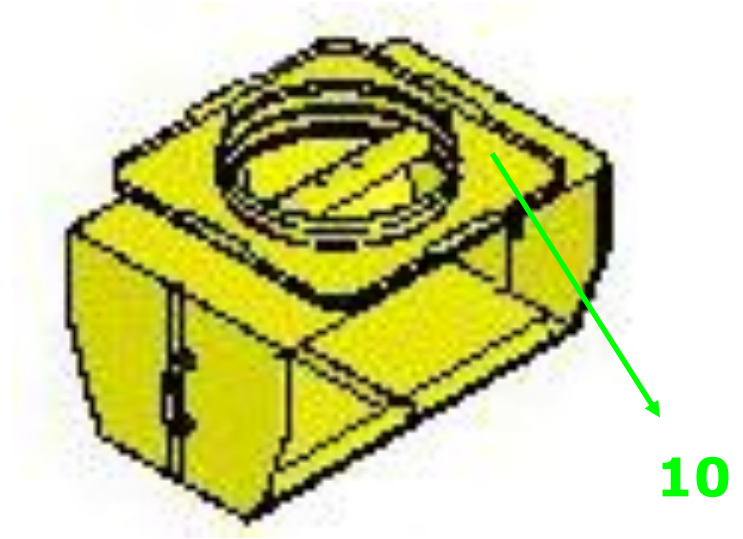
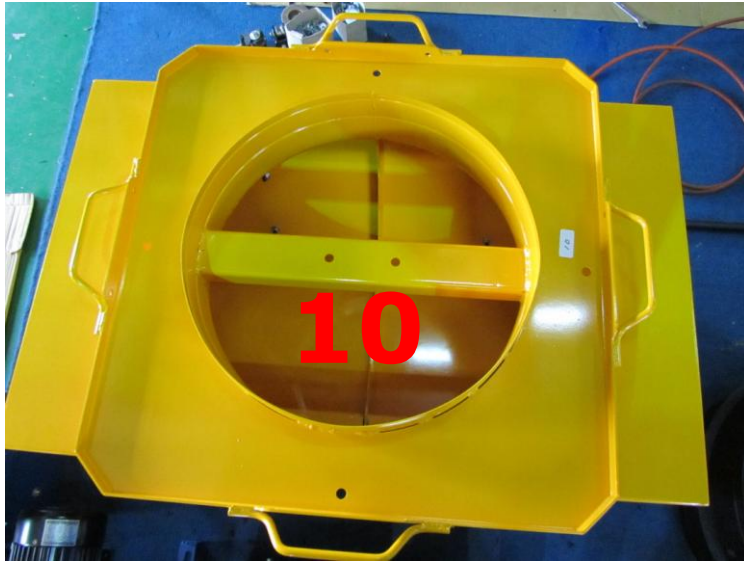
- Connect the number 8 with Half-threaded Screw: 1/2''*5'', Flat Washer: 1/2''*OD34*3T and Hex Nut: 1/2''



- Connect the number 9 with Hex Screw: 5/8''*1-1/2'', Flat Washer: 5/8''*OD40*3T and Lock Washer: 5/8''

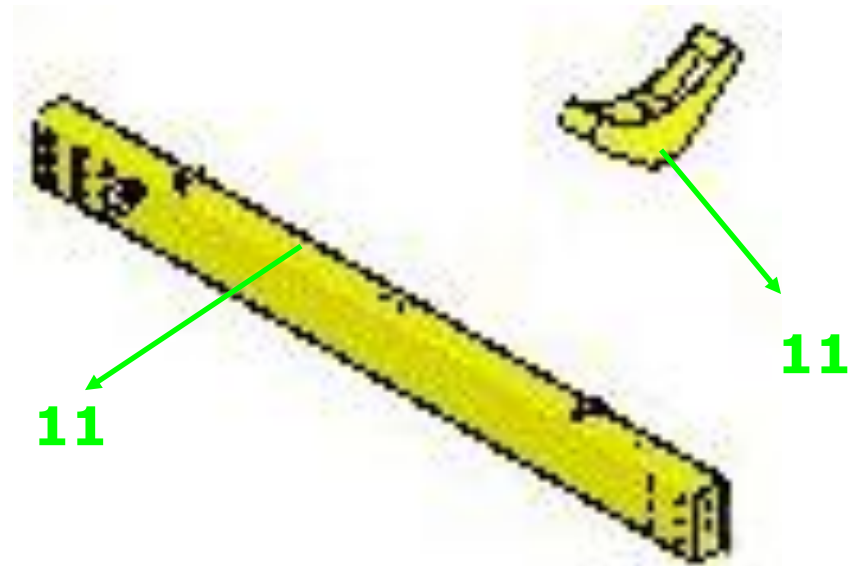
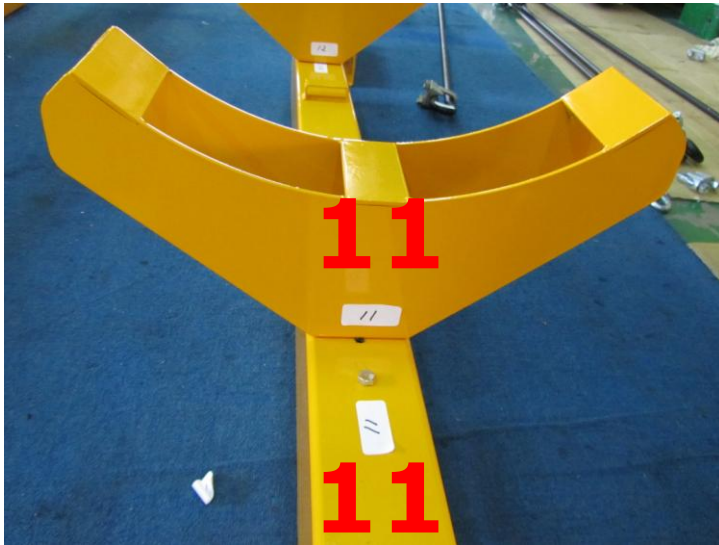
- Insert the number 27 in-between 9.



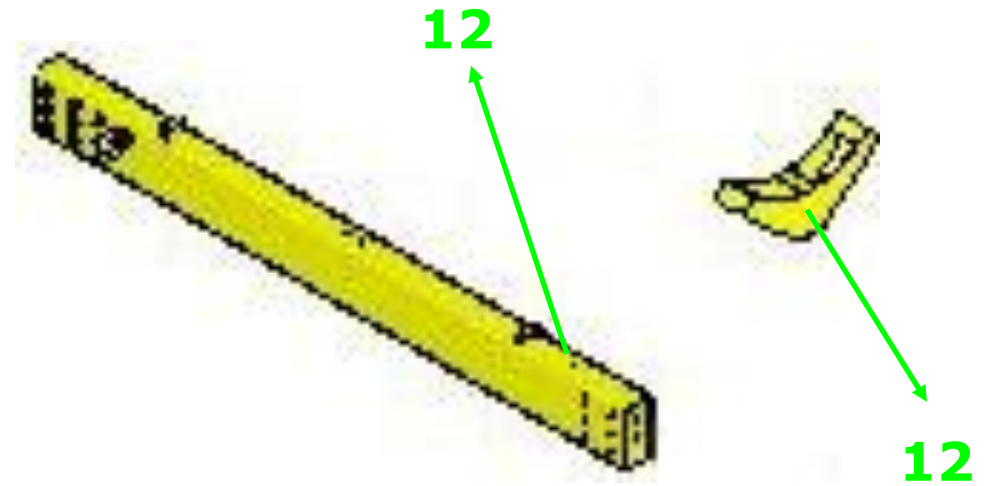


◆Part-D

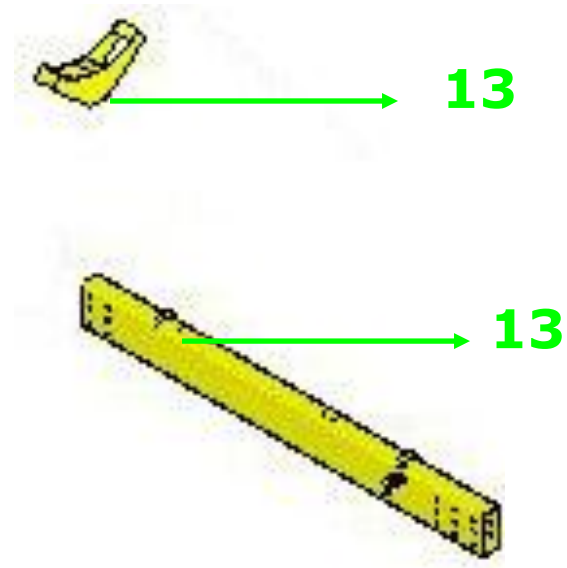
- Connect the number 11 with Hex Screw: 3/8"×3/4" and Flat Washer: 3/8"×OD23×2T.



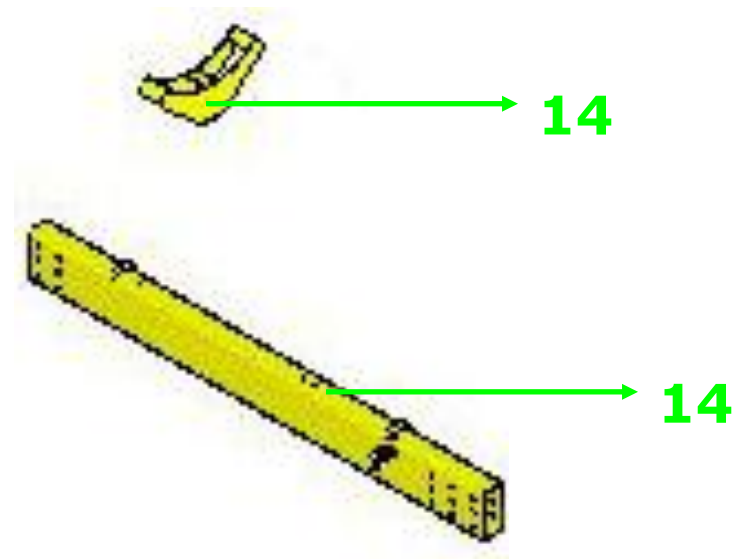
- Connect the number 12 with Hex Screw: 3/8"×3/4" and Flat Washer: 3/8"×OD23×2T.



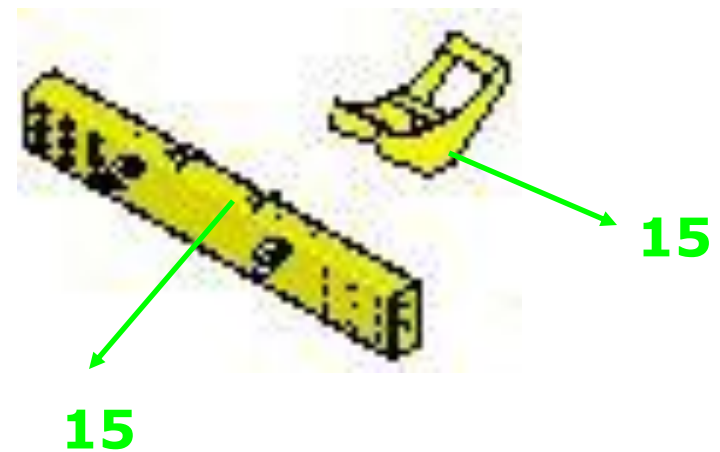
- Connect the number 13 with Hex Screw: 3/8"×3/4" and Flat Washer: 3/8"×OD23×2T.



➤ Connect the number 14 with Hex Screw: 3/8"×3/4" and Flat Washer: 3/8"×OD23×2T.

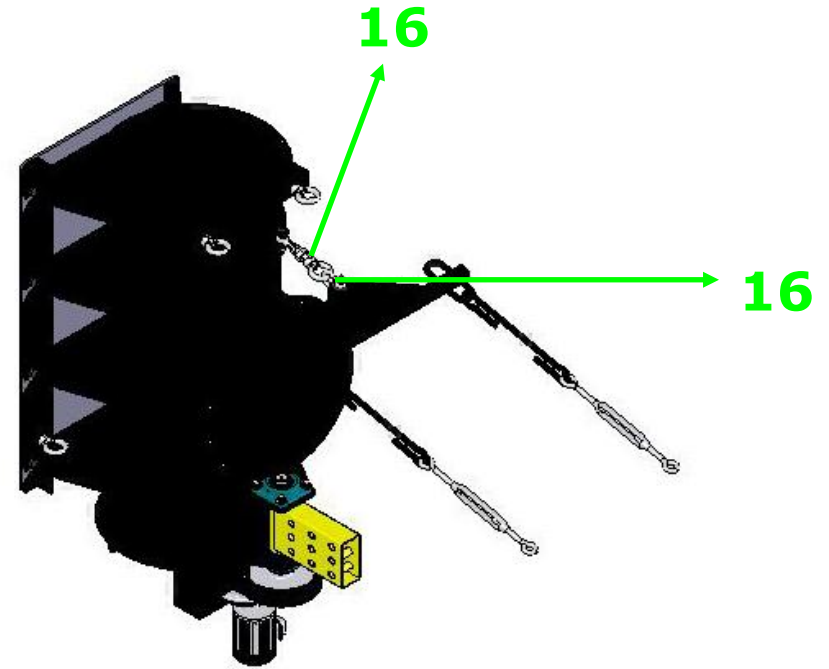
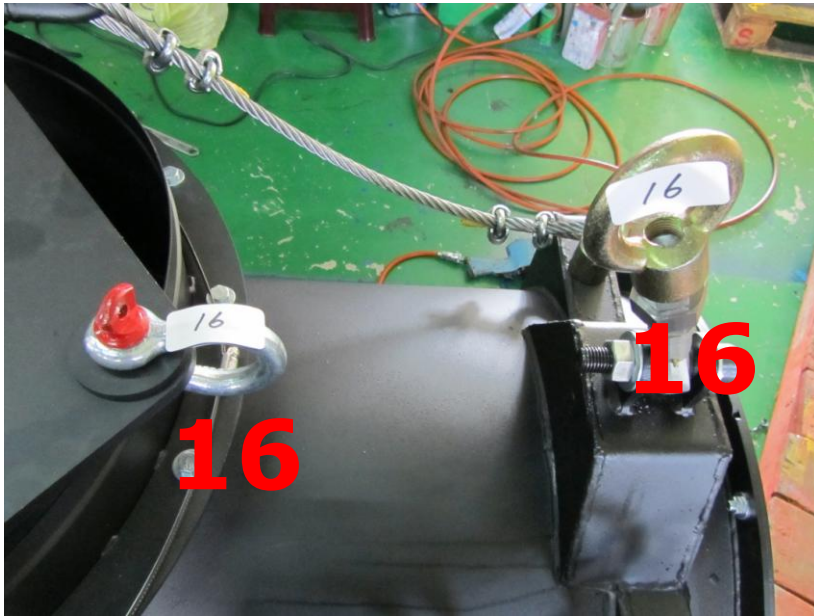


➤ Connect the number 15 with Hex Screw: 3/8"×3/4" and Flat Washer: 3/8"×OD23×2T.

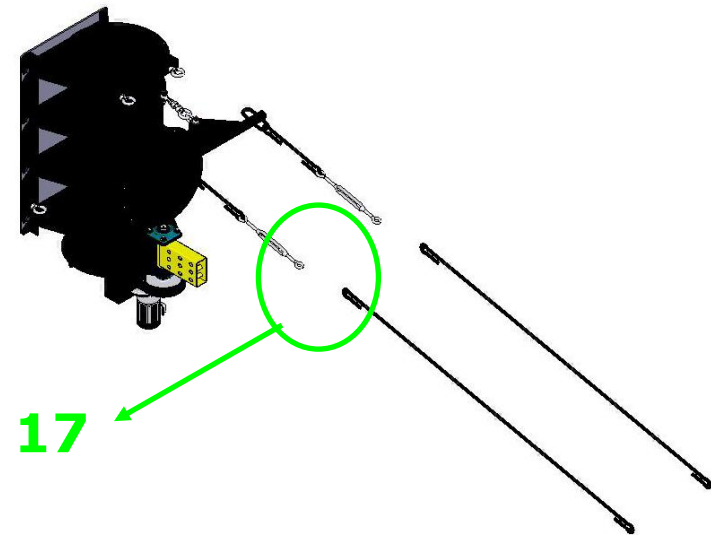
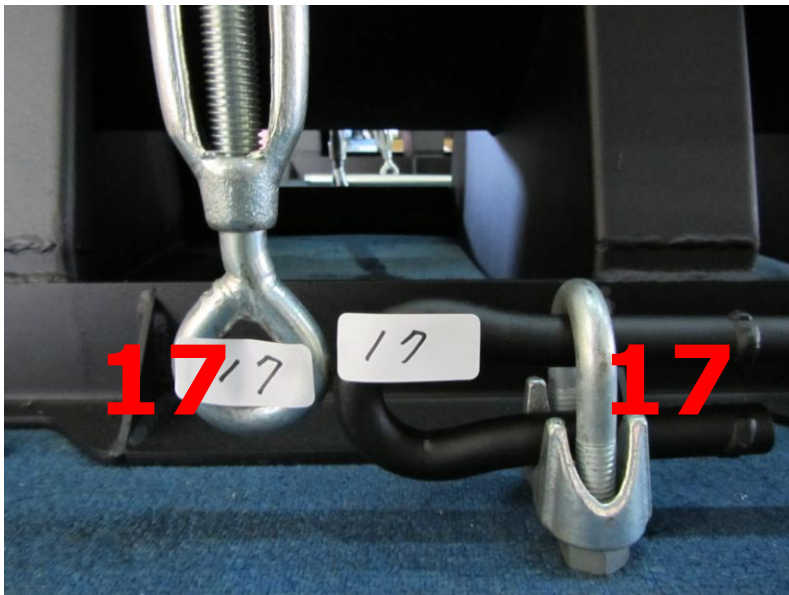


◆ Part-E

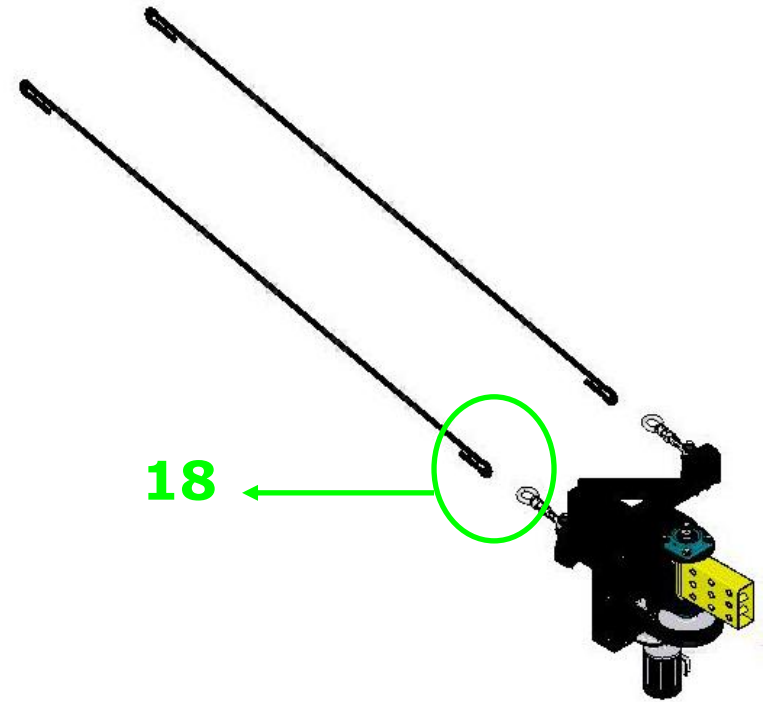
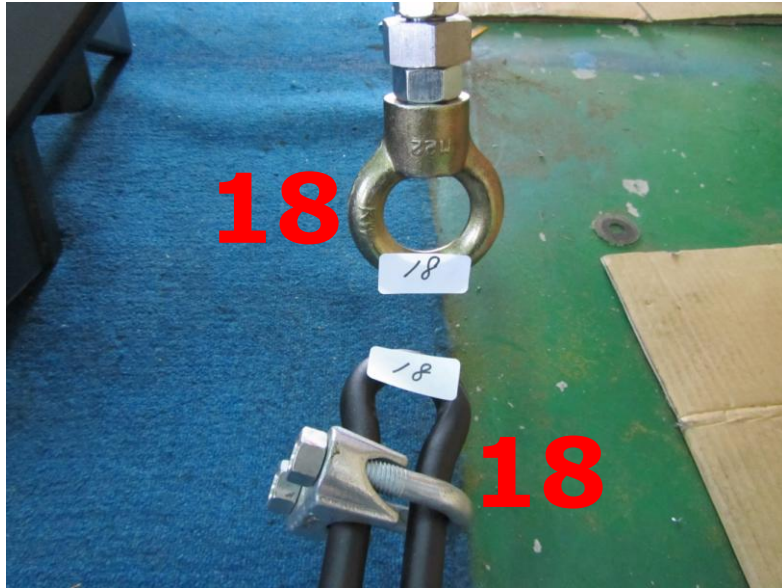
➤ Connect the number 16.



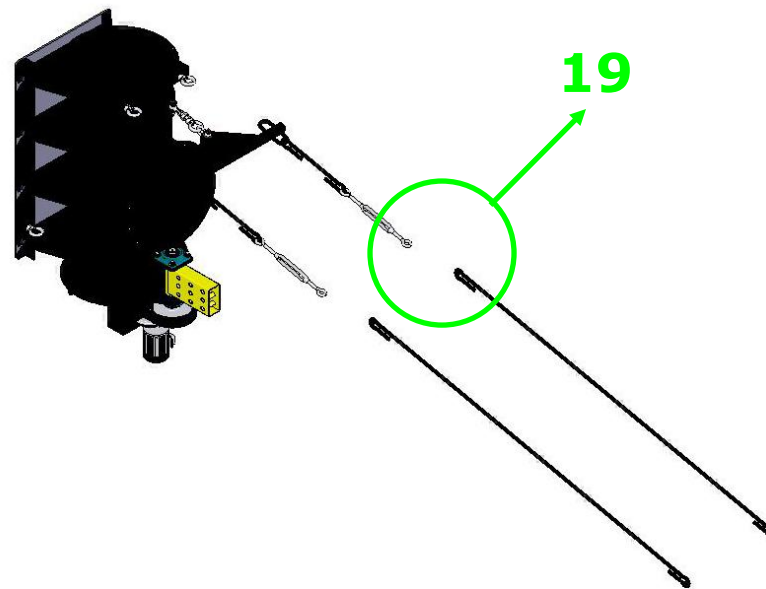
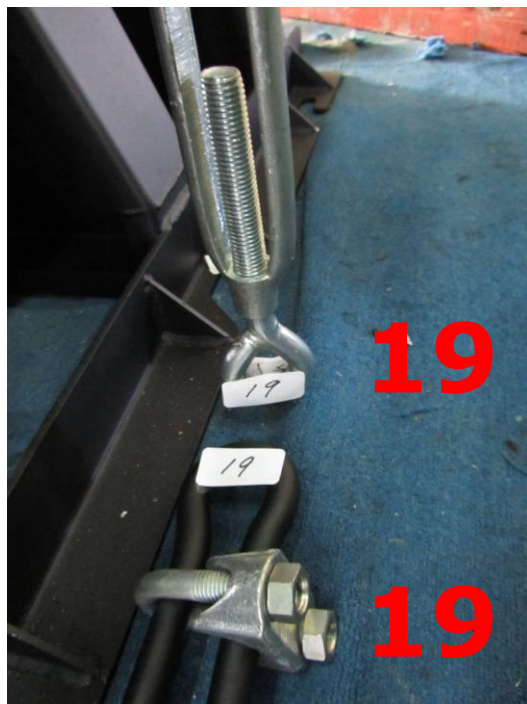
➤ Connect the number 17.



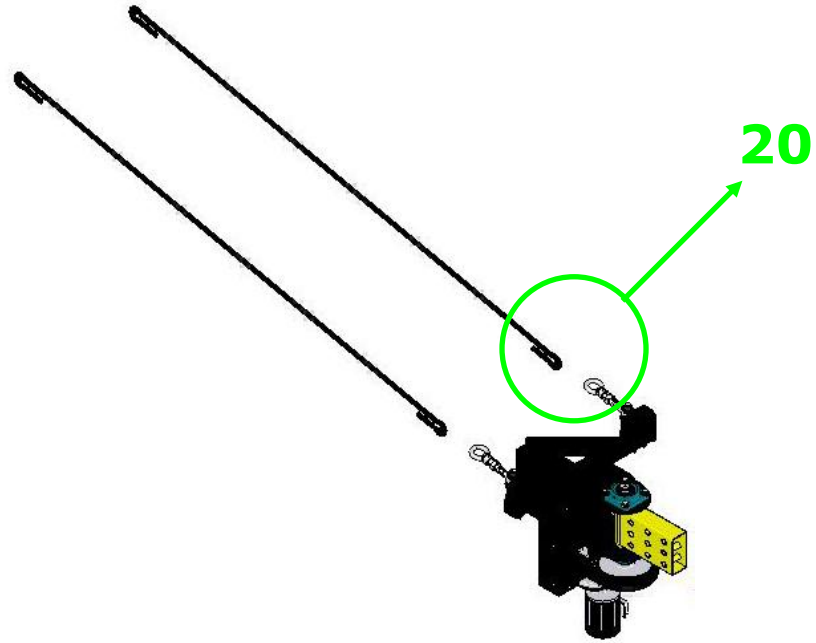
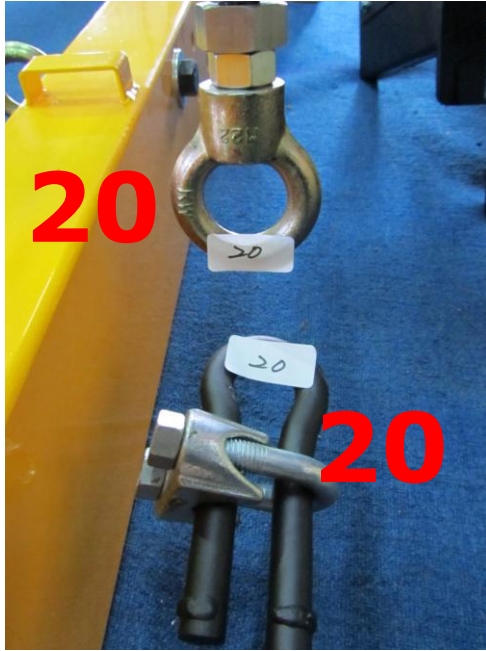
➤ Connect the number 18.



➤ Connect the number 19.

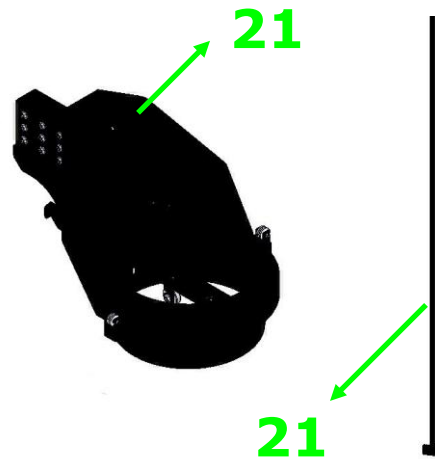


➤ Connect the number 20.



◆ Part-F

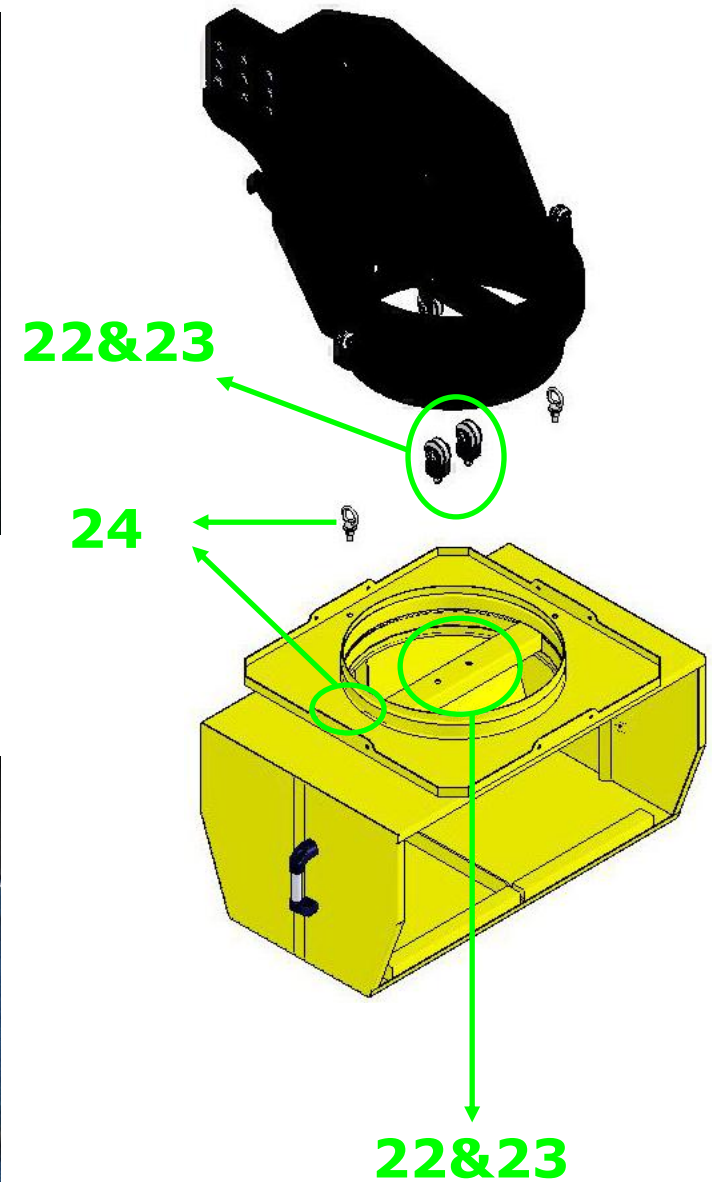
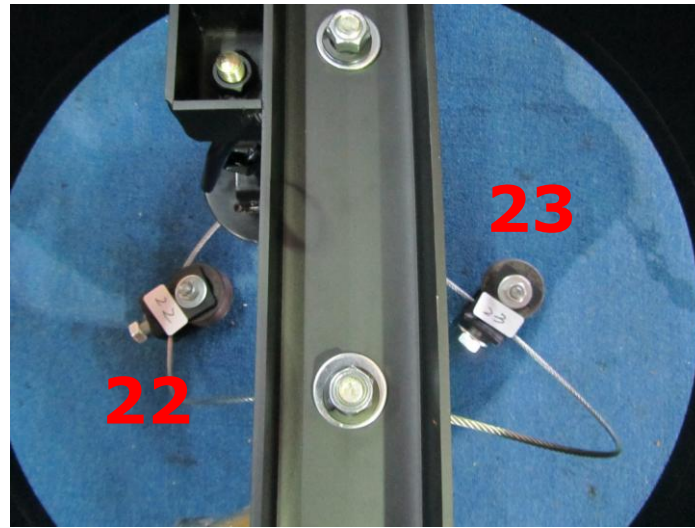
➤ Connect the number 21 with the Hex Screw: 3/8"×3/4" and Flat Washer: 3/8"×OD23×2T.



➤ Connect the limit switch on the iron plate.



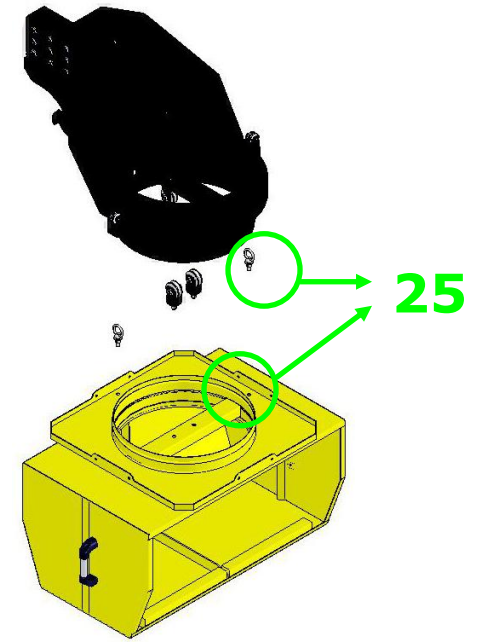
- Connect the number 22 and 23 with the Flat Washer: 5/8"×OD40×3T, Lock Washer: 5/8" and Hex Nut: 5/8".



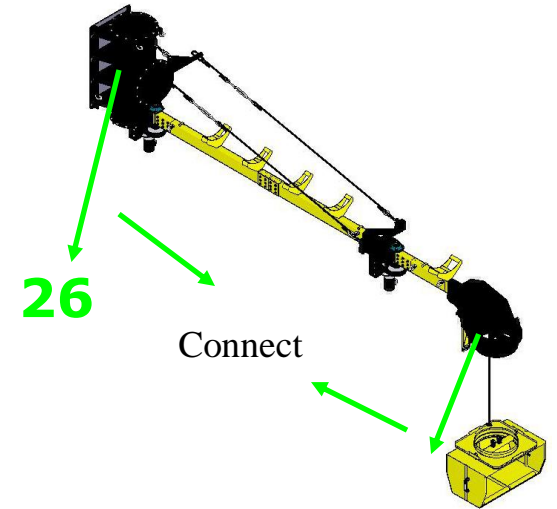
- Connect the number 24 with the Flat Washer: 5/8"×OD40×3T, Lock Washer: 5/8" and Hex Nut: 5/8".



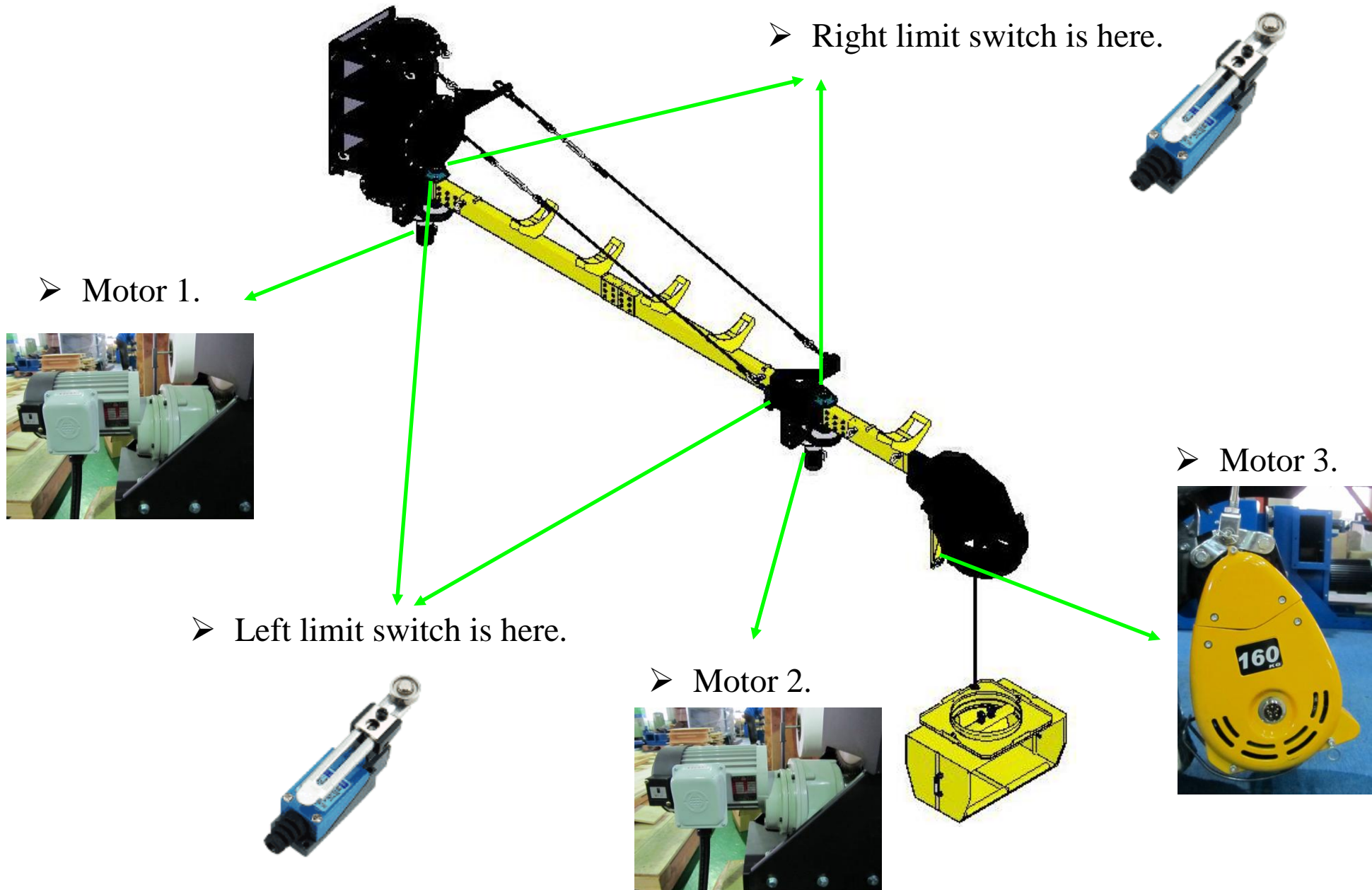
- Connect the number 25 with the Flat Washer: 5/8"*OD40*3T, Lock Washer: 5/8" and Hex Nut: 5/8"



- Connect the number 26.

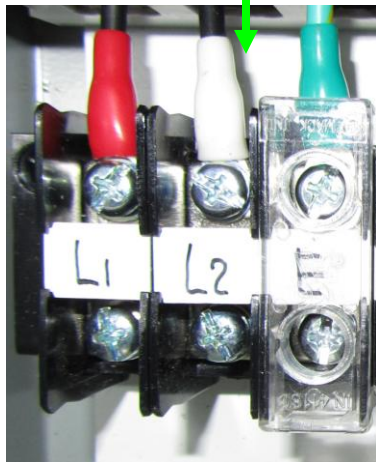
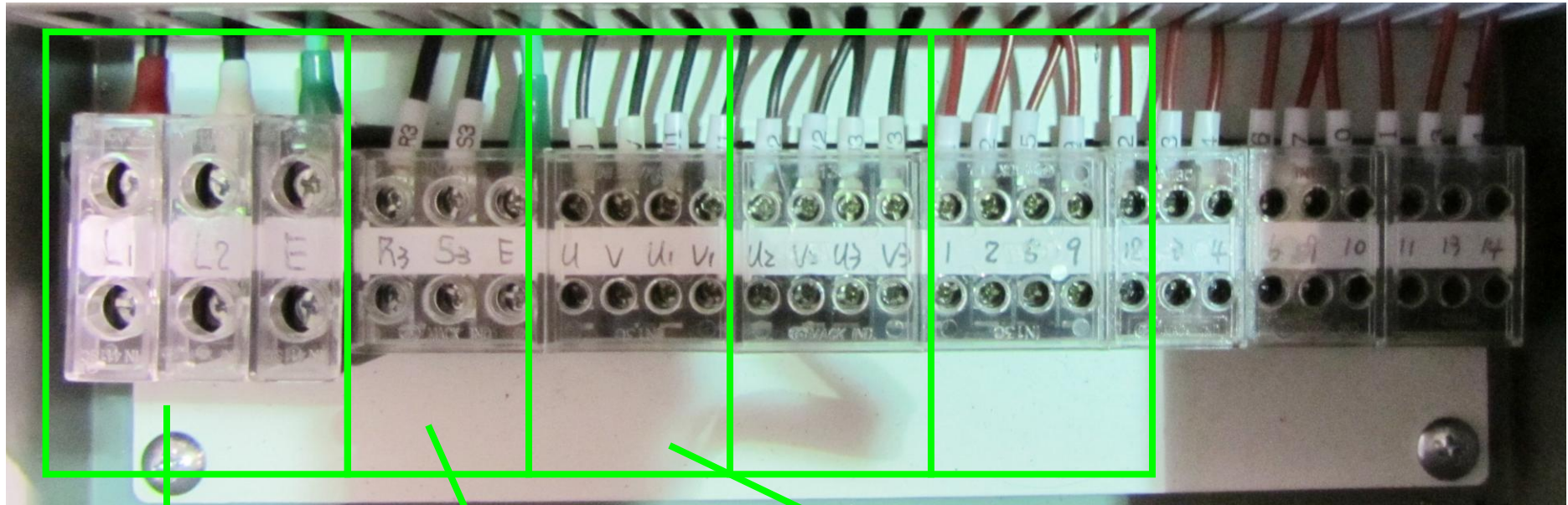


Control Box for BAY-2



◆ Part-G

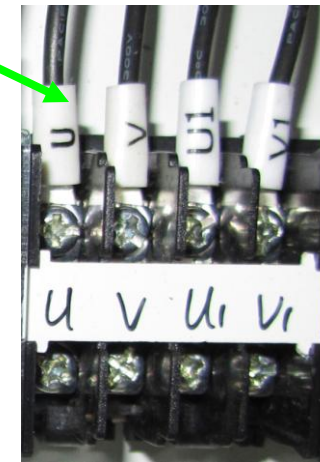
Control Box for BAY-2



➤ Connect to main power supply for BAY-2. (120V)

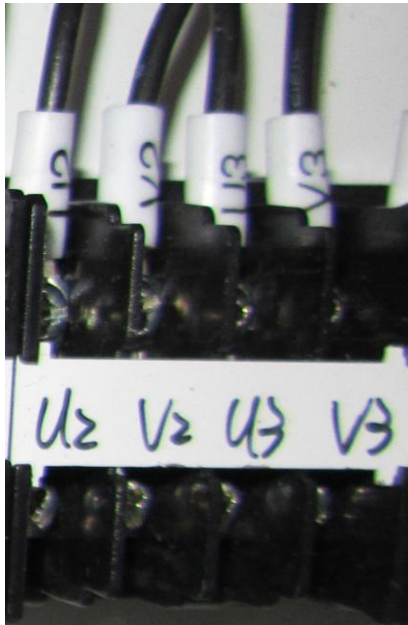
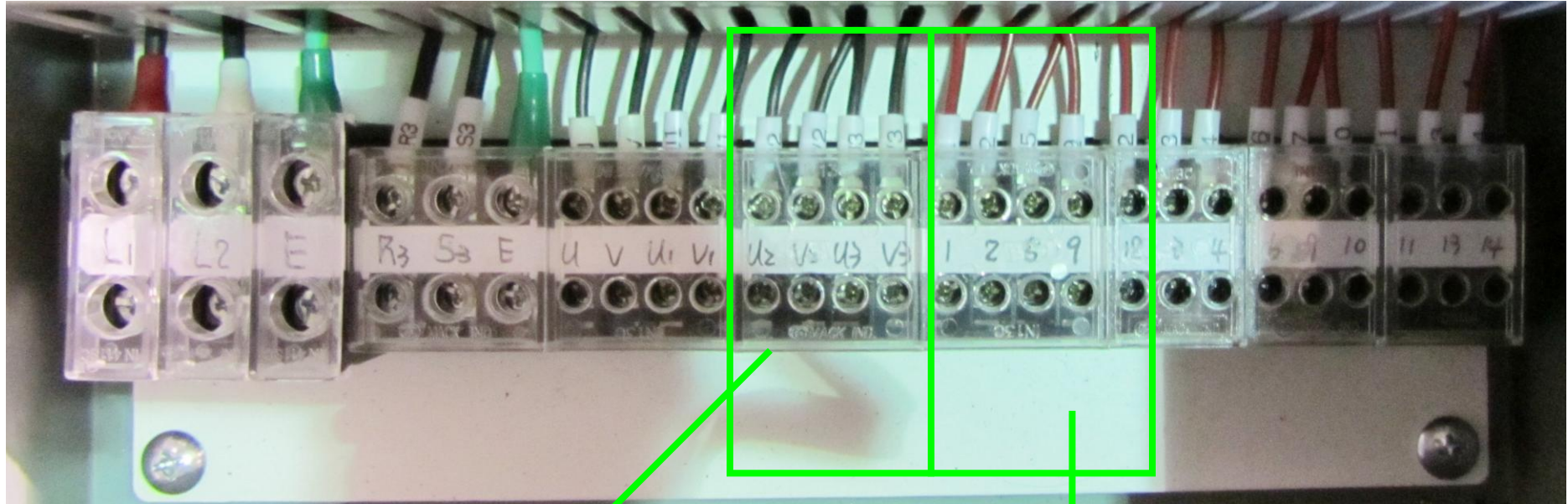


➤ Connect to motor 3 power supply for BAY-2.

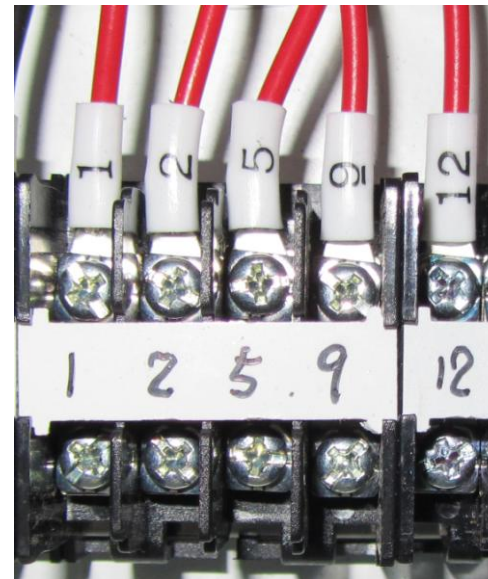


➤ Connect to motor 2 power supply for BAY-2.

Control Box for BAY-2

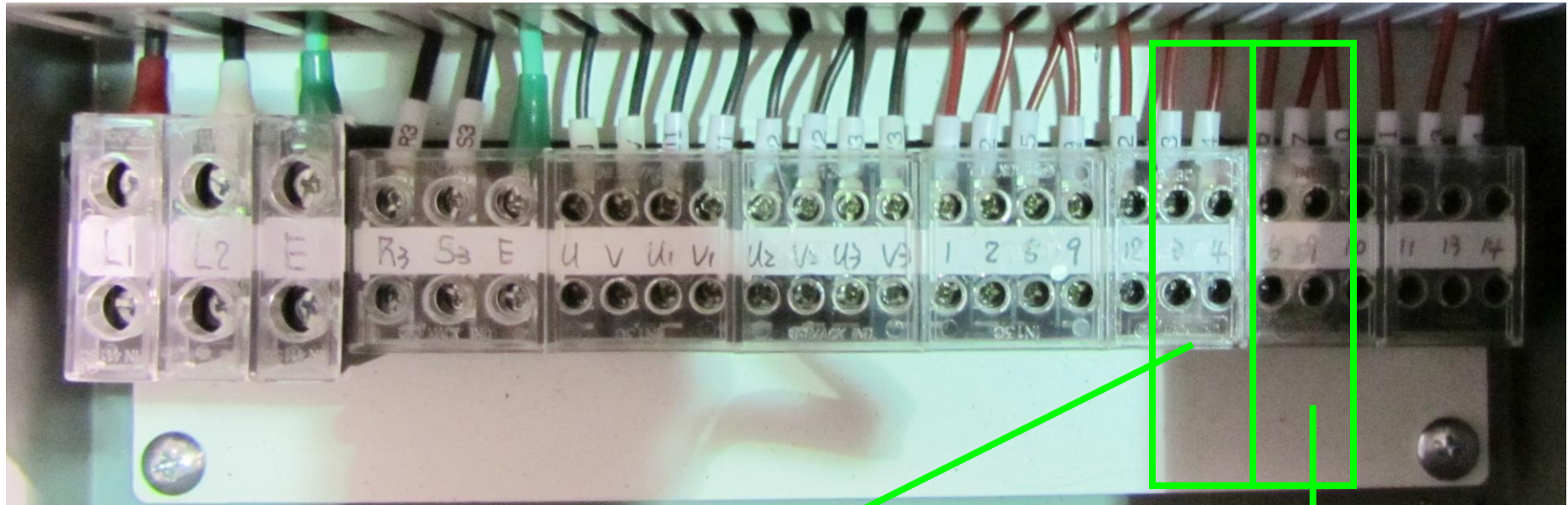


➤ Connect to motor 1 power supply for BAY-2.



➤ Connect to the complete pendant push button controls for BAY-2.

Control Box for BAY-2

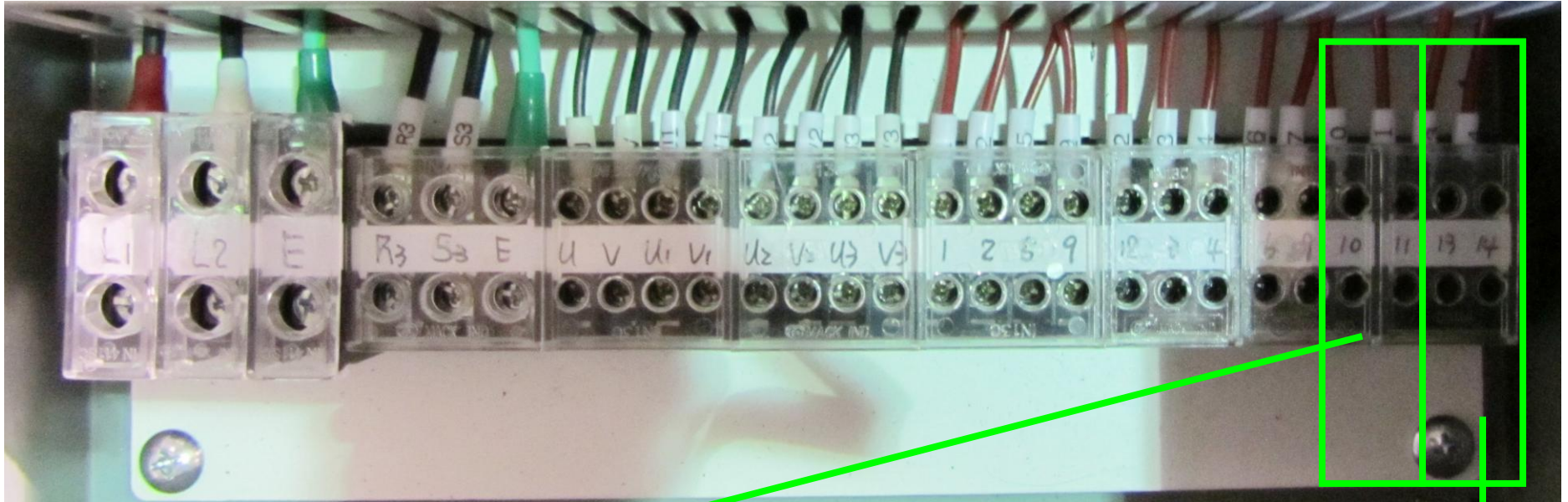


- Connect to the left limit switch of the motor 2 for BAY-2.

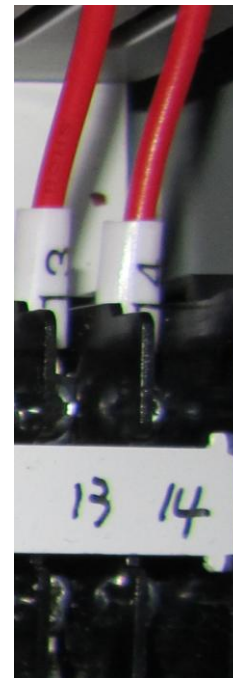


- Connect to the right limit switch of the motor 2 for BAY-2.

Control Box for BAY-2



- Connect to the left limit switch of the motor 1 for BAY-2.



- Connect to the right limit switch of the motor 1 for BAY-2.