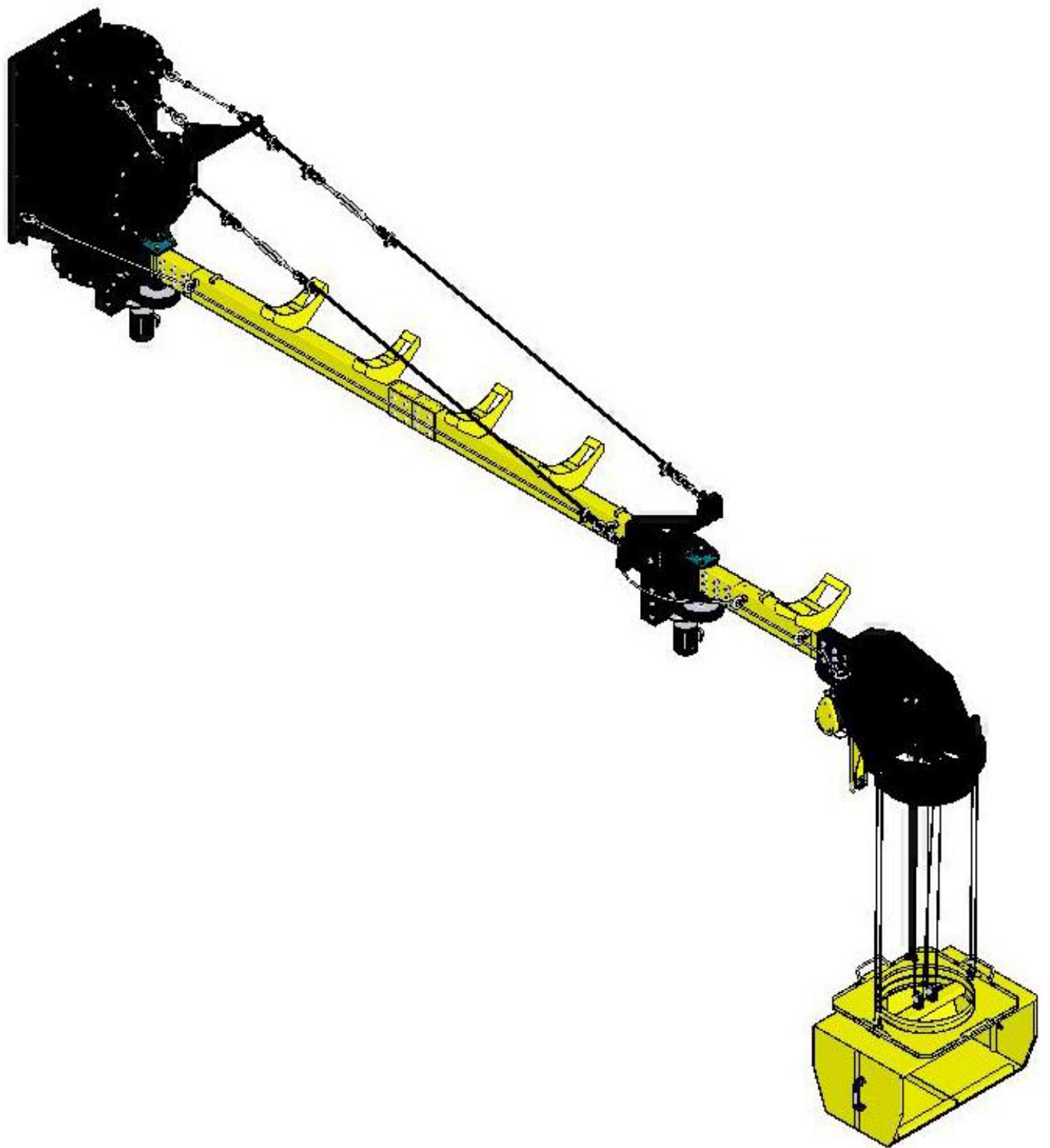
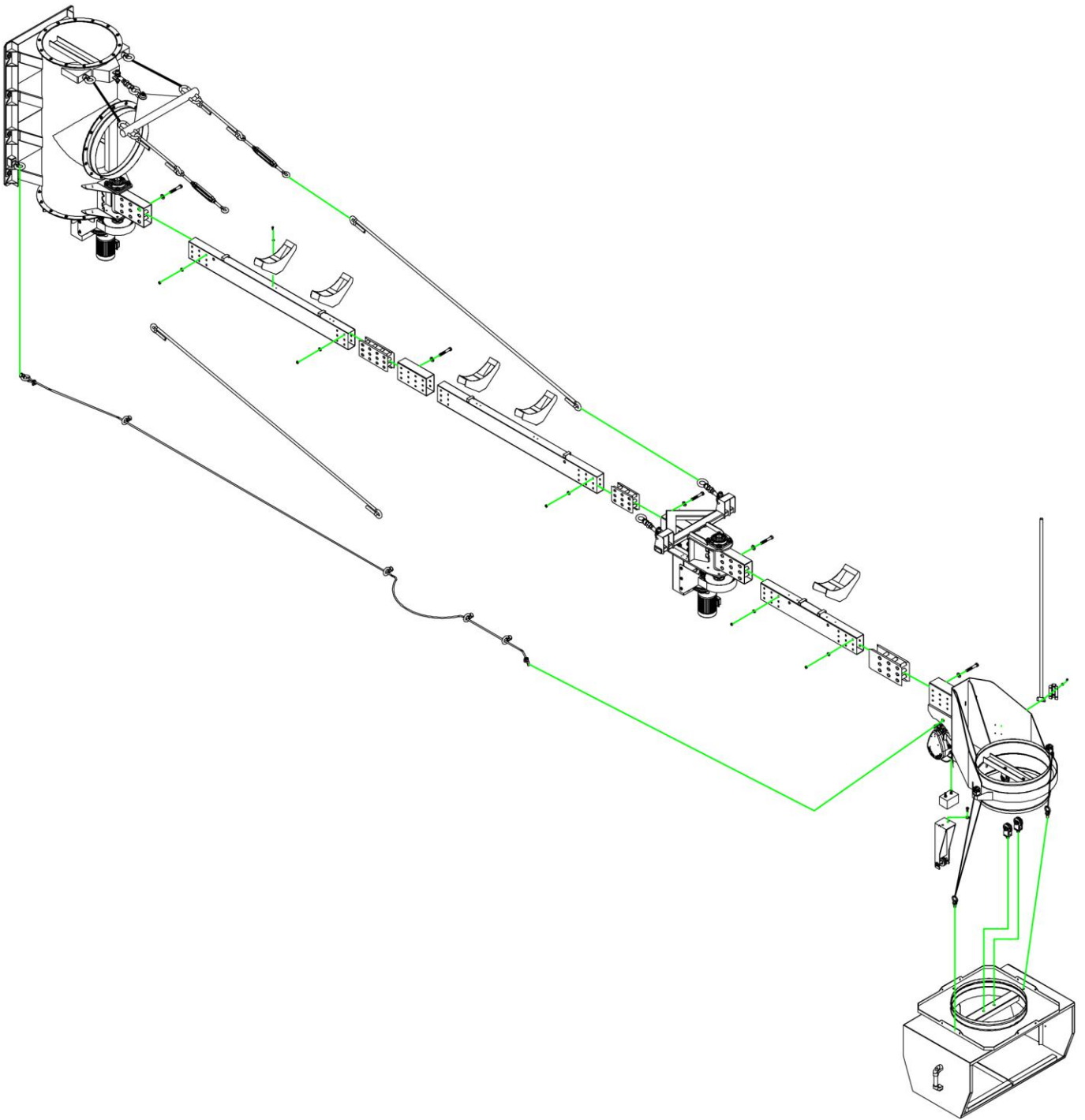


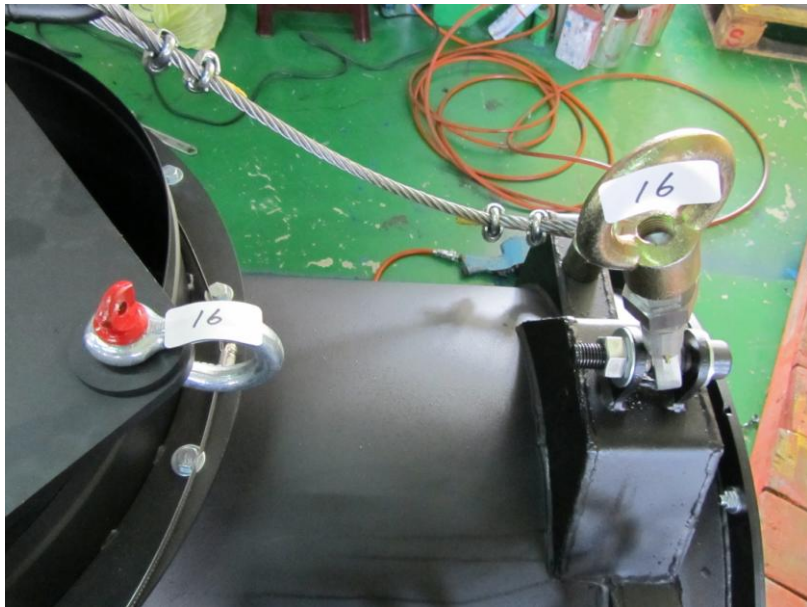
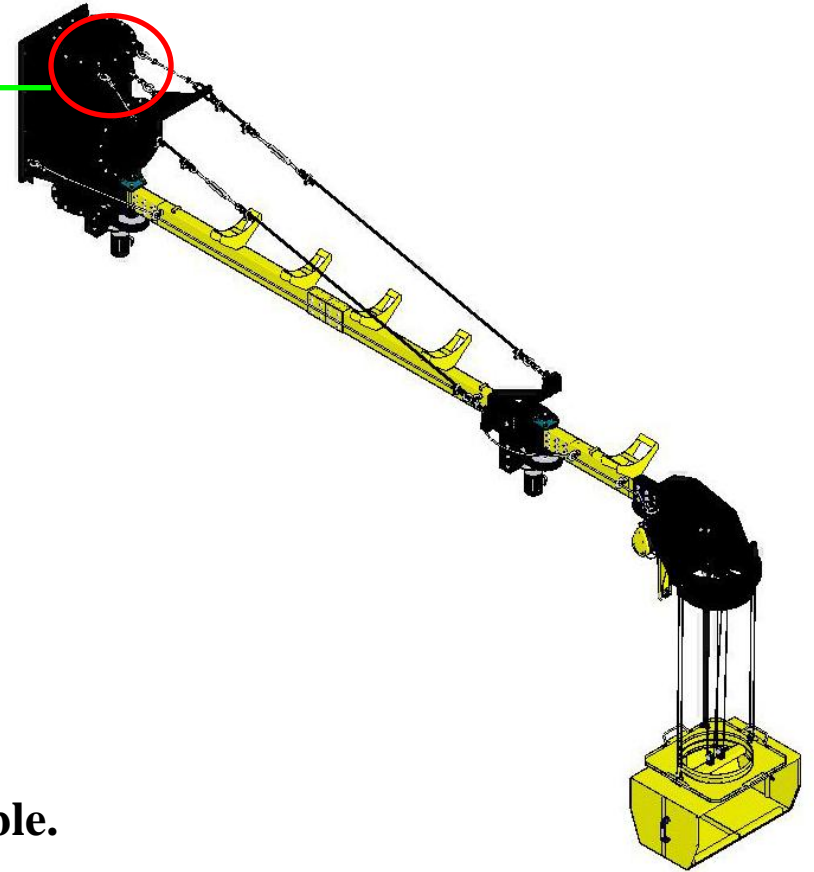
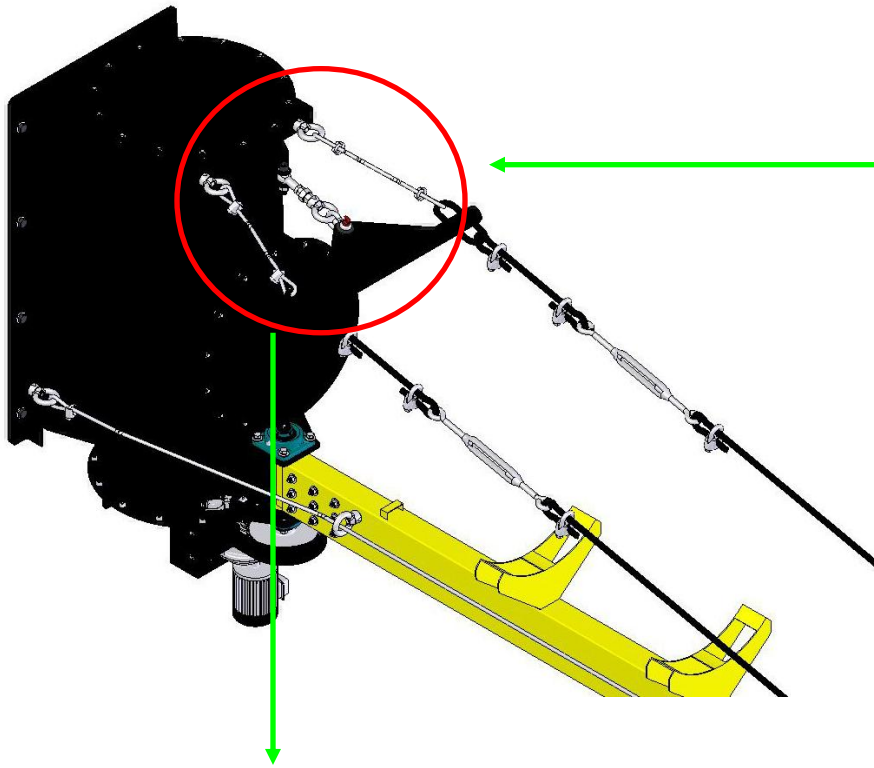
# BAY-10



# BAY-10



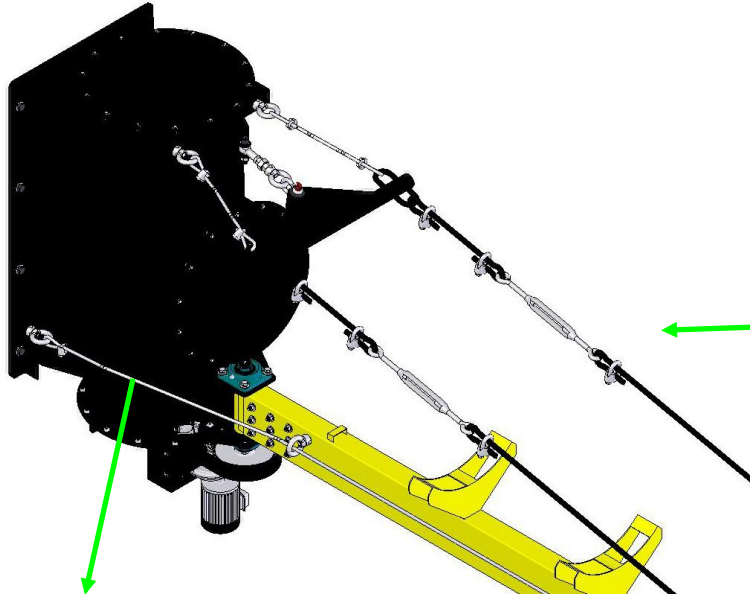
# BAY-10



➤ **Safety Steel Cable.**

**Specification : 1/2" x 1M.**

# BAY-10

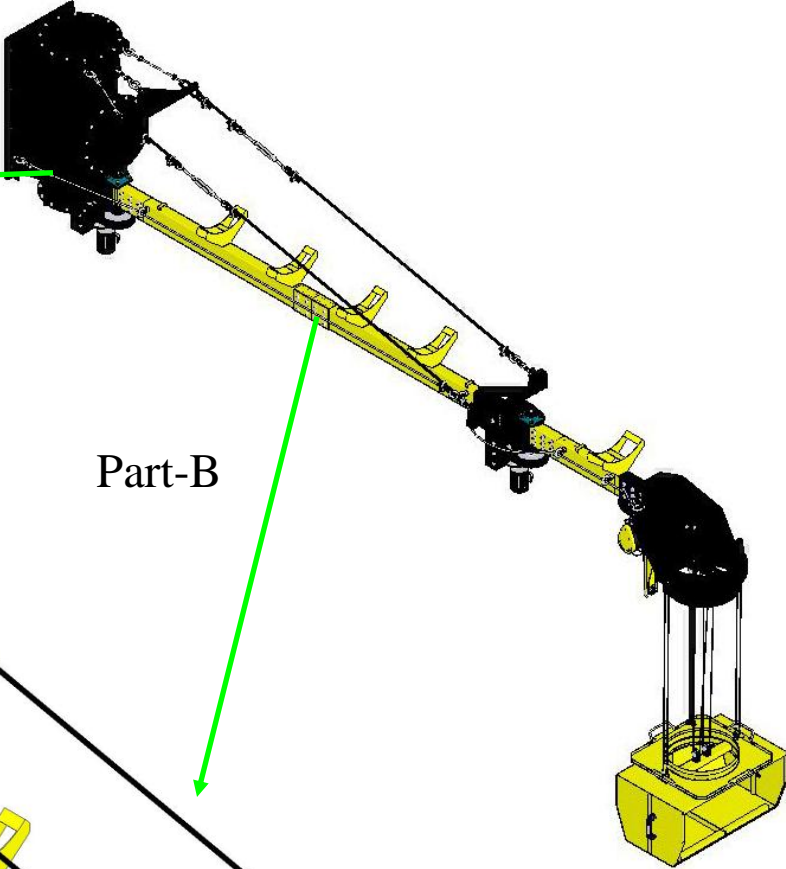


Part-A

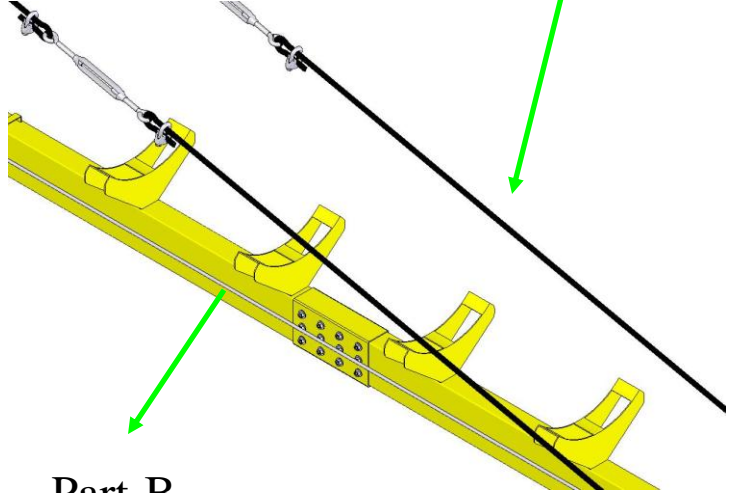
➤ **Safety Steel Cable.**  
Specification : 1/2" x 10M.



Part-A

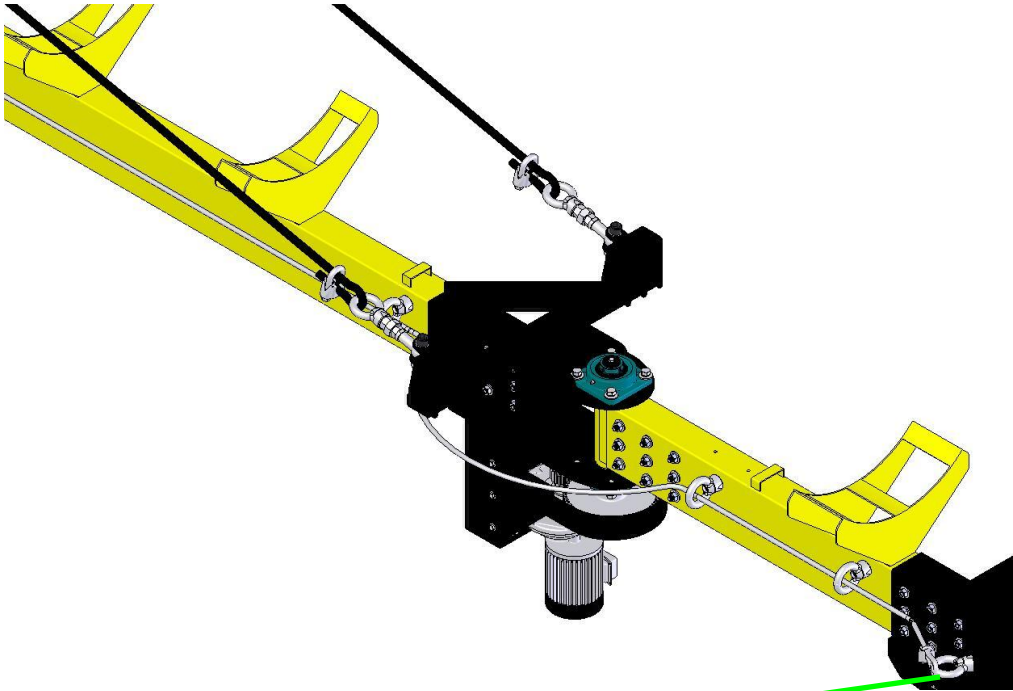


Part-B

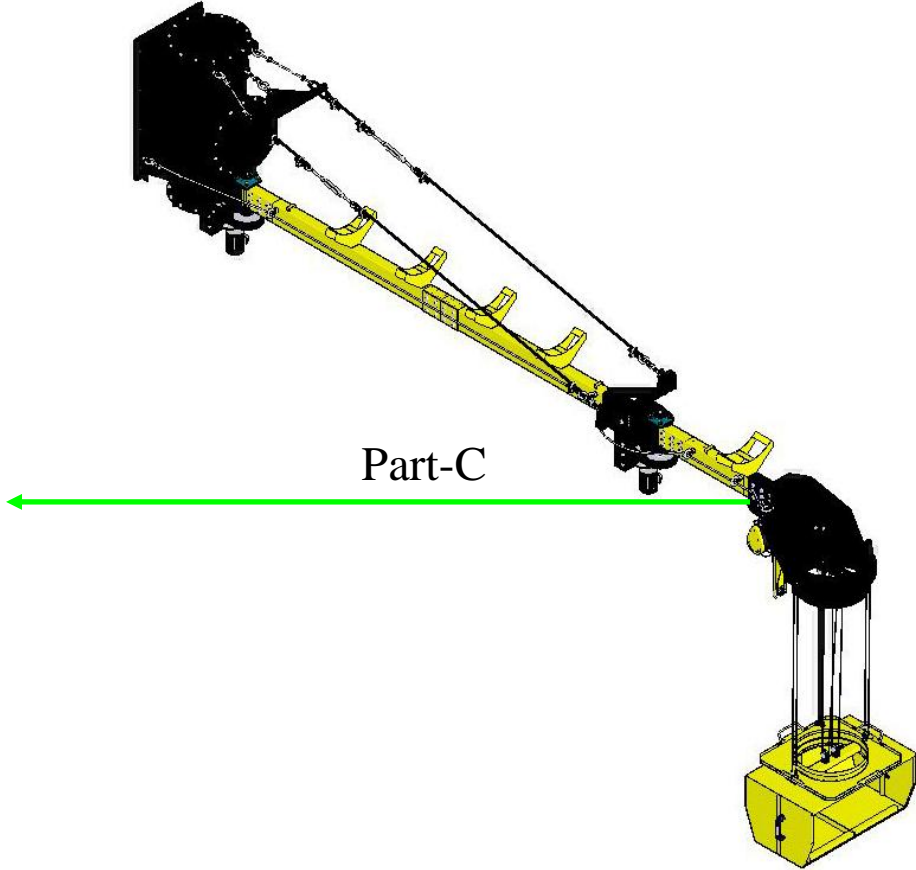


Part-B

# BAY-10



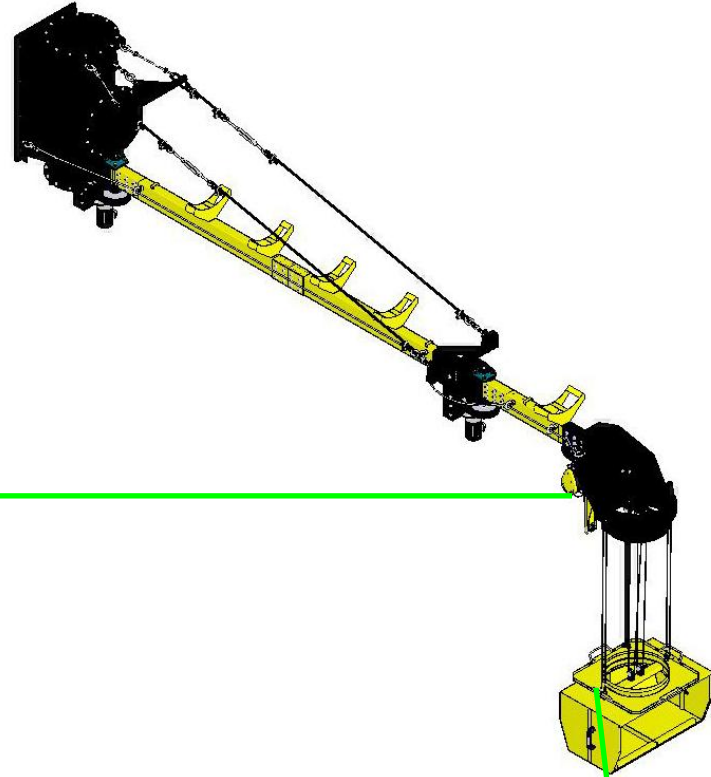
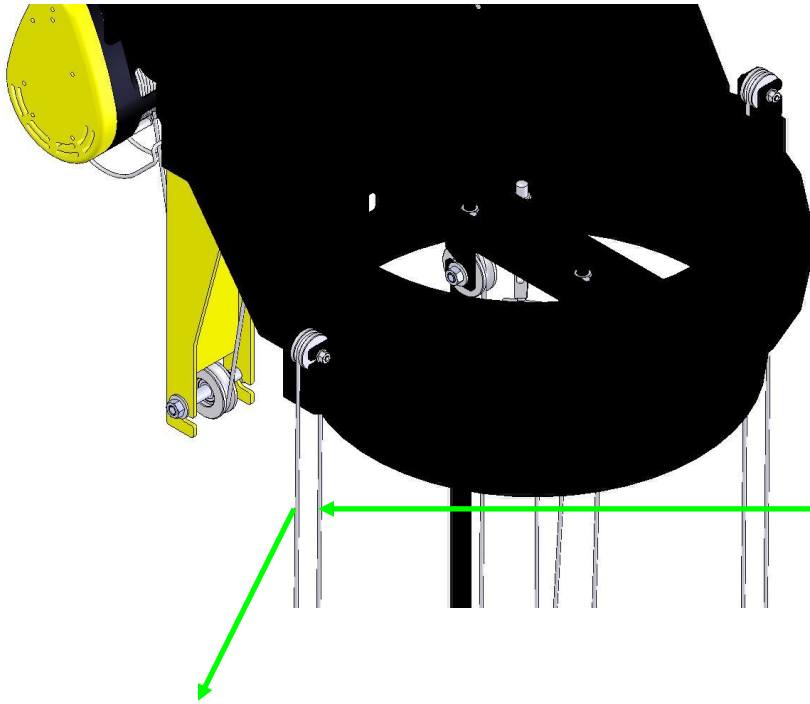
Part-C



Part-C

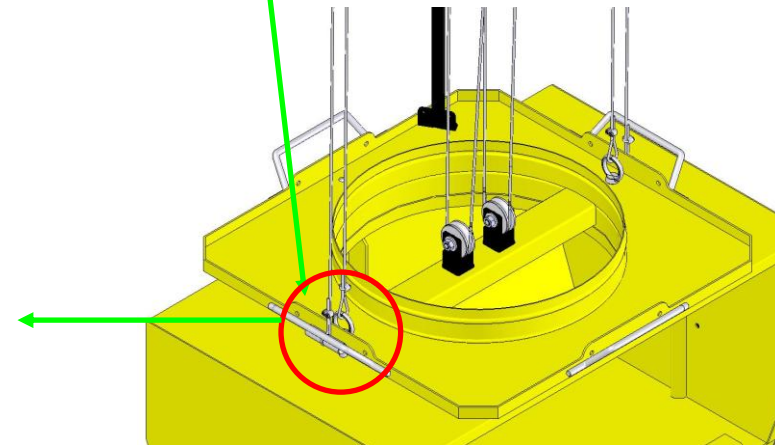


# BAY-10



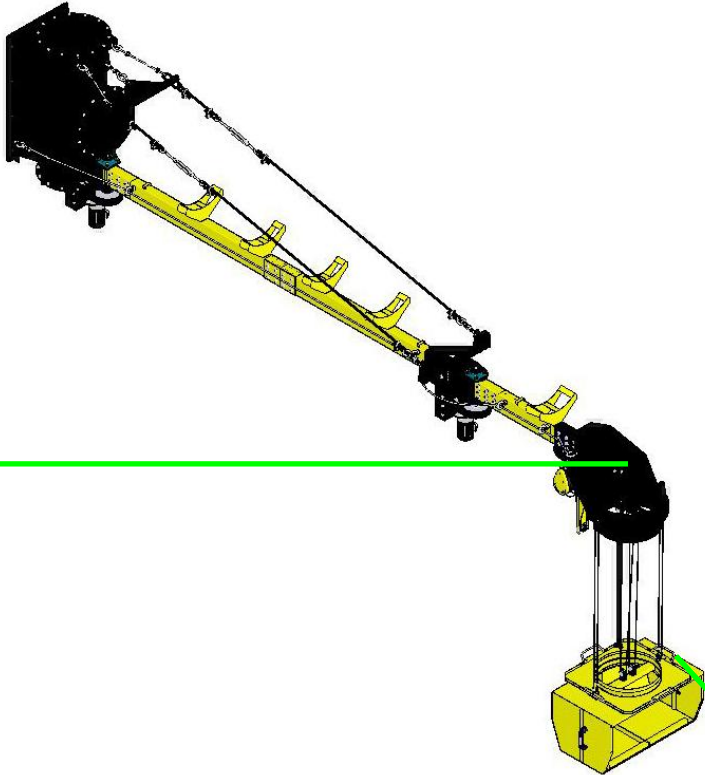
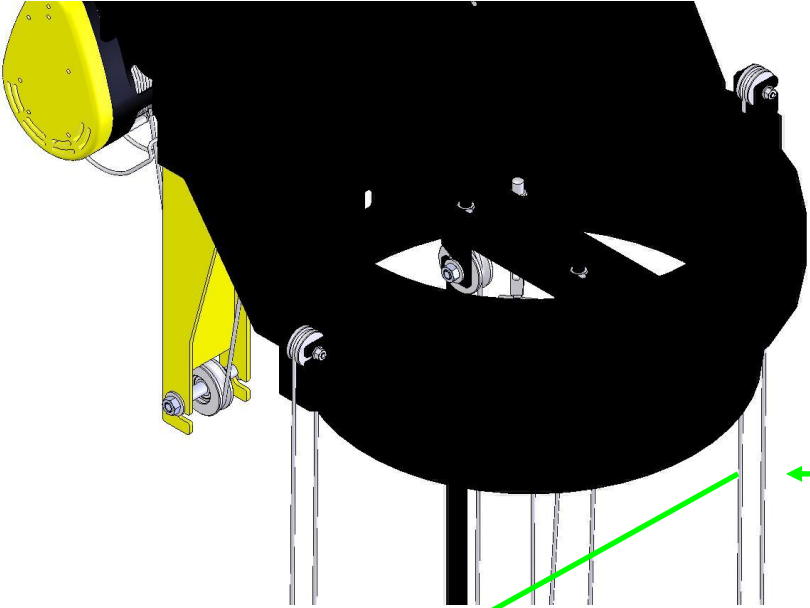
## ➤ Safety Steel Cable.

Specification : 5mm x 8M.



Connect.

# BAY-10

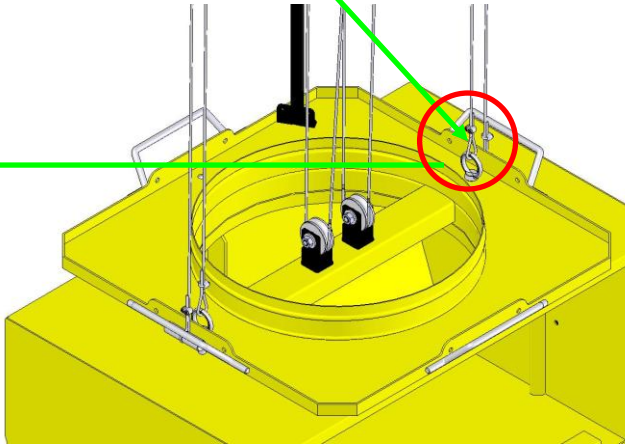


➤ **Safety Steel Cable.**

Specification : 5mm x 8M.



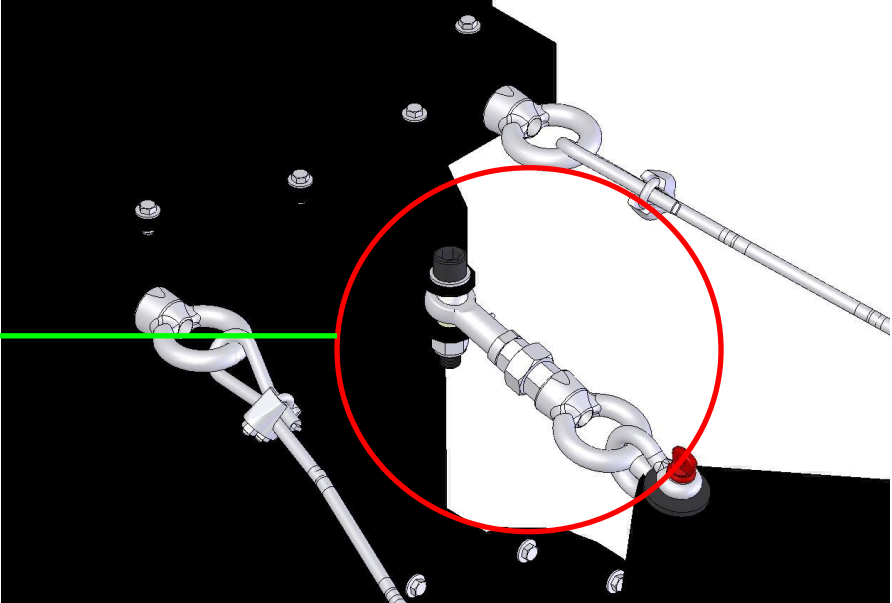
Connect.



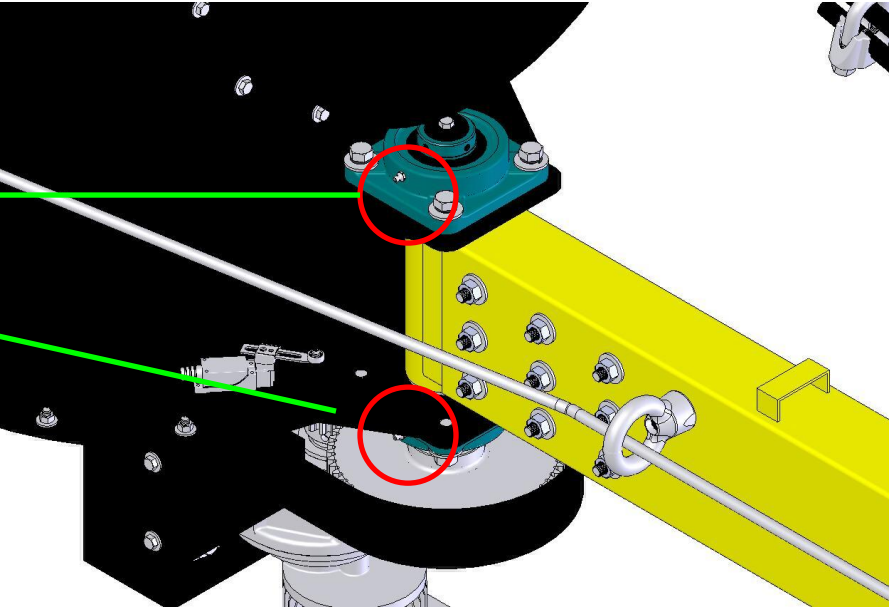
# BAY-10

➤ Maintenance:

➤ Bearing: lubricant/grease monthly.



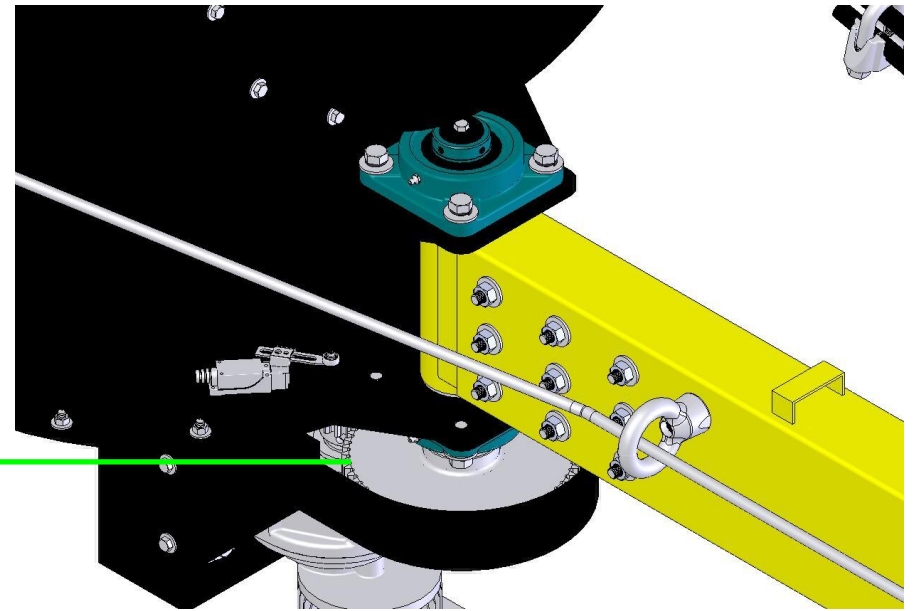
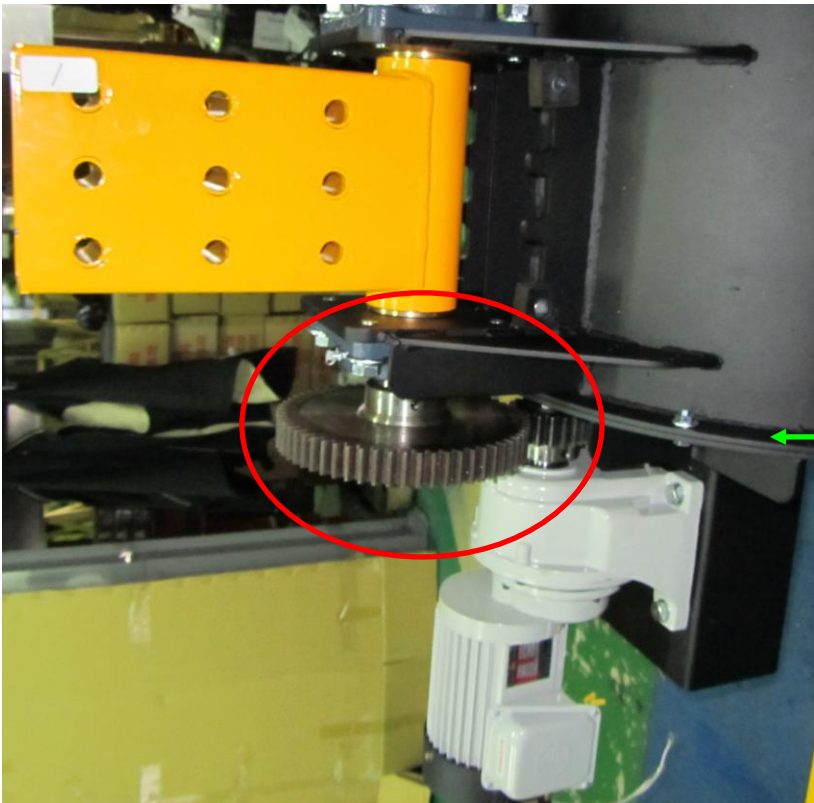
➤ Lubrication once monthly.





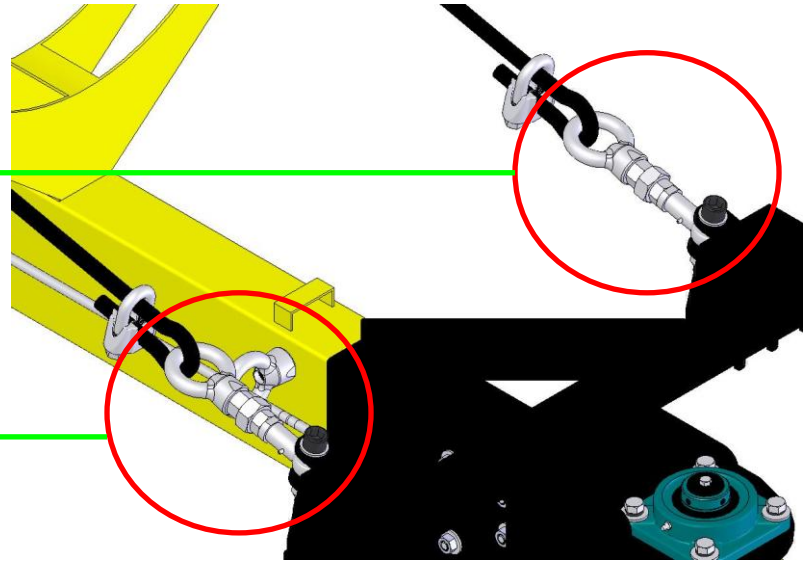
# BAY-10

- Big & Small Gear: lubrication once monthly.

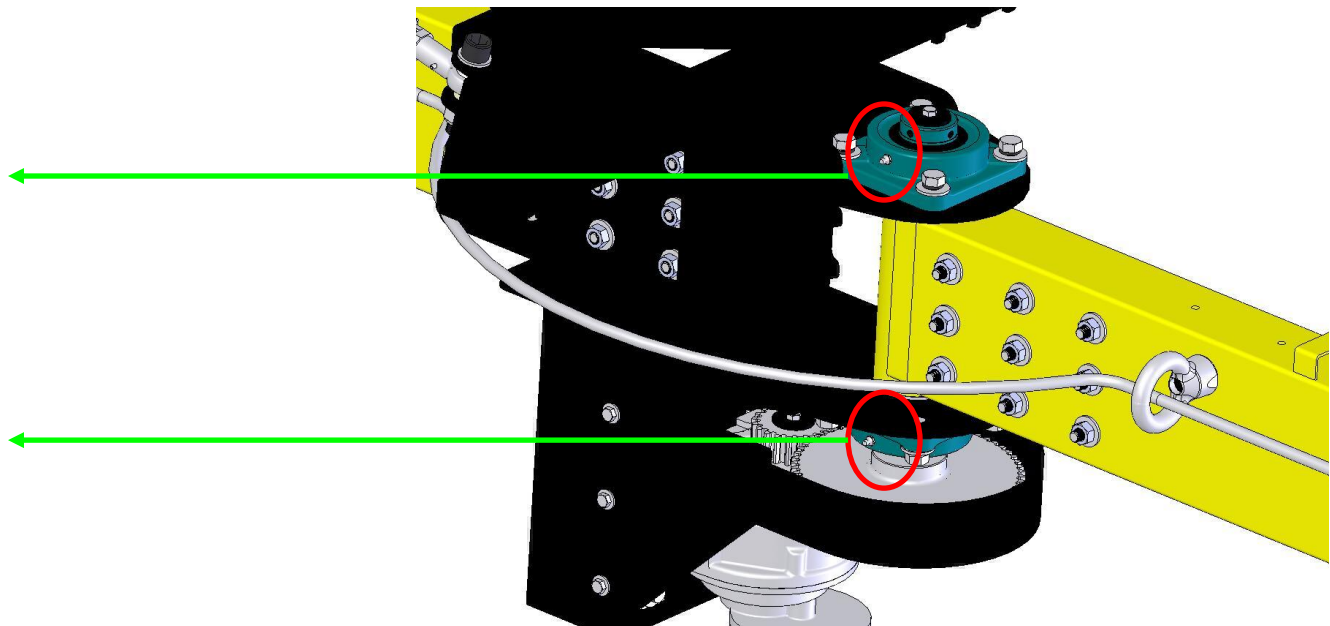


# BAY-10

- Bearing: lubricant/grease monthly.

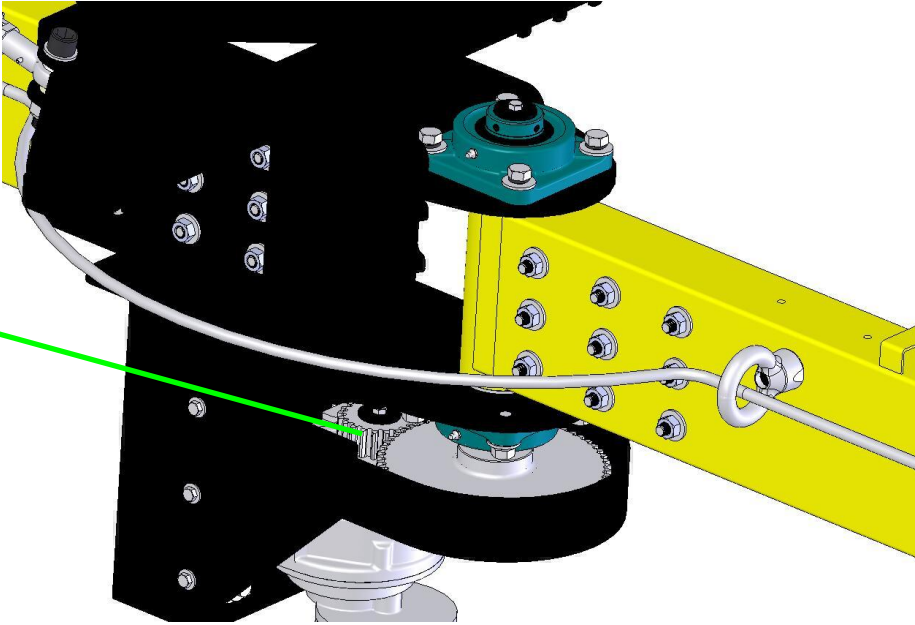


- Lubrication once monthly.

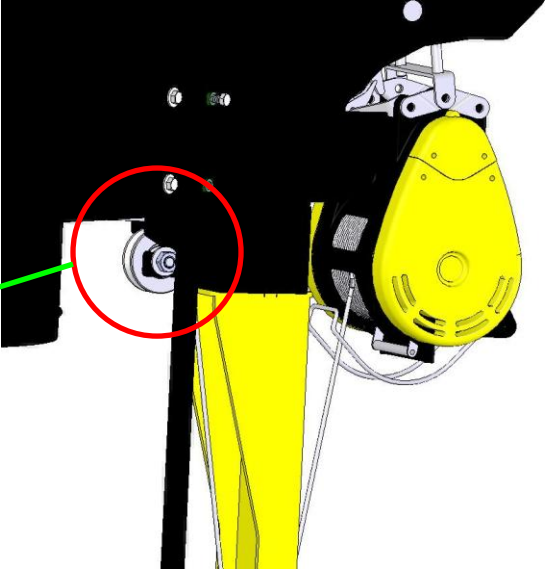
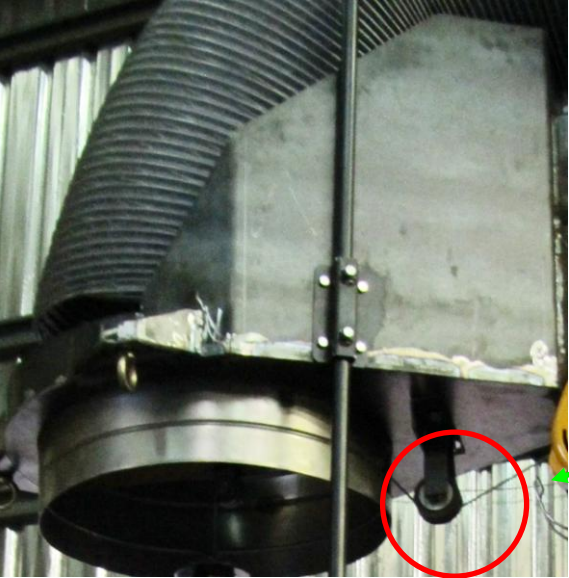


# BAY-10

➤ Big & Small Gear: lubrication once monthly.

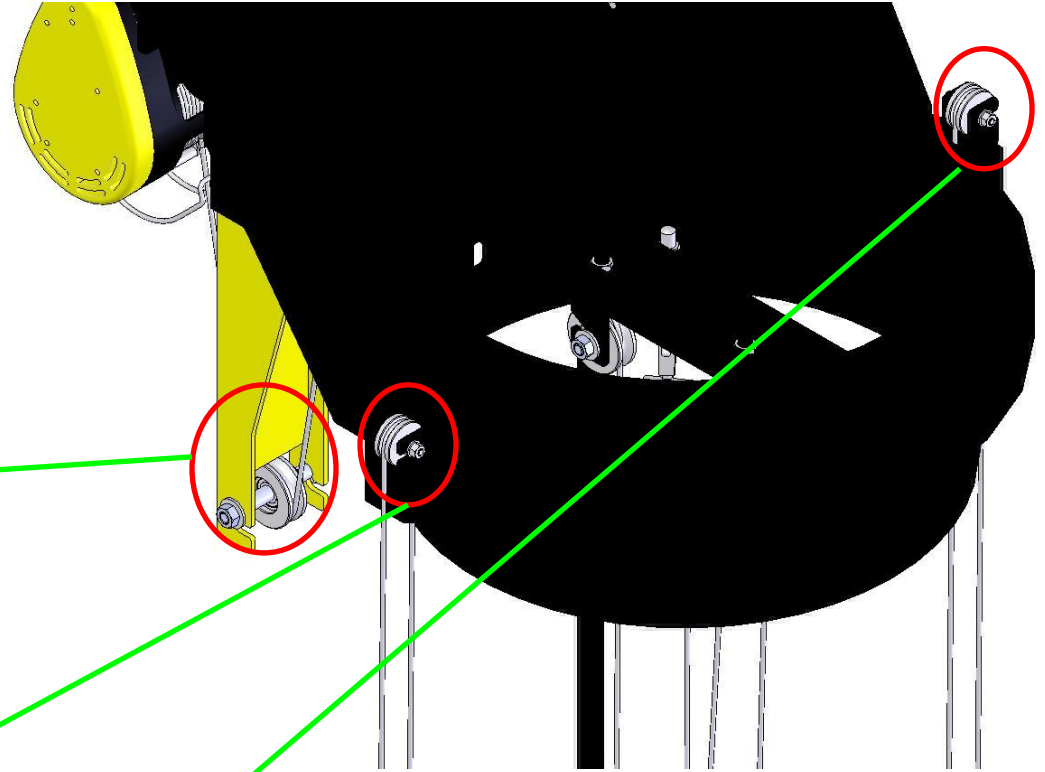


➤ Casters: lubrication once monthly

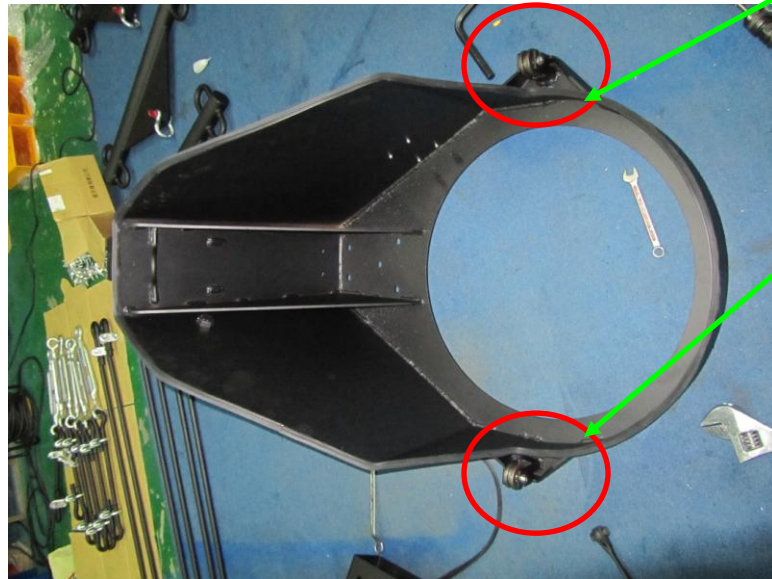


# BAY-10

- Casters: lubrication once monthly.

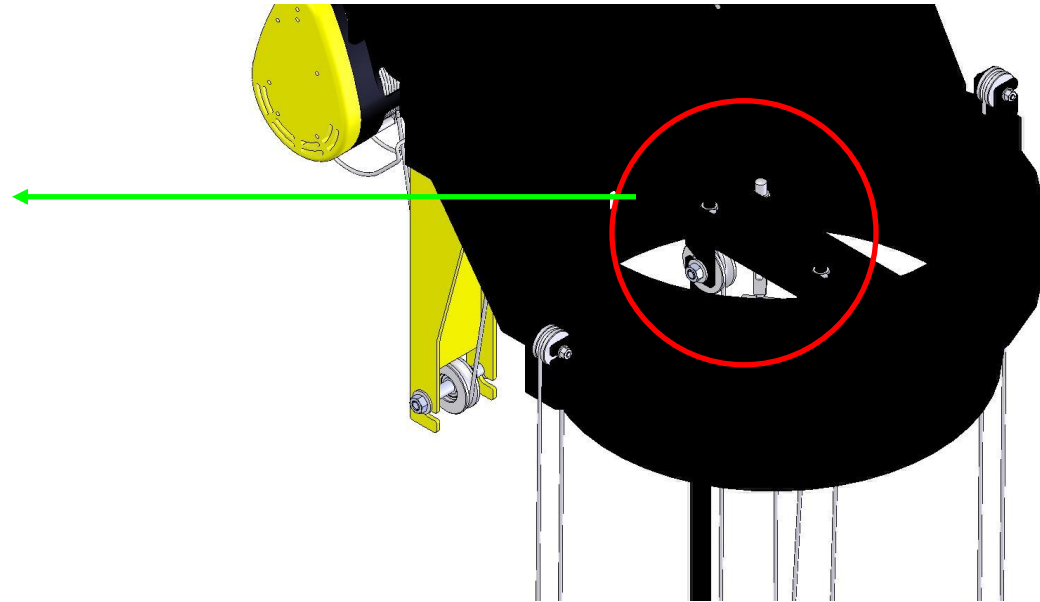
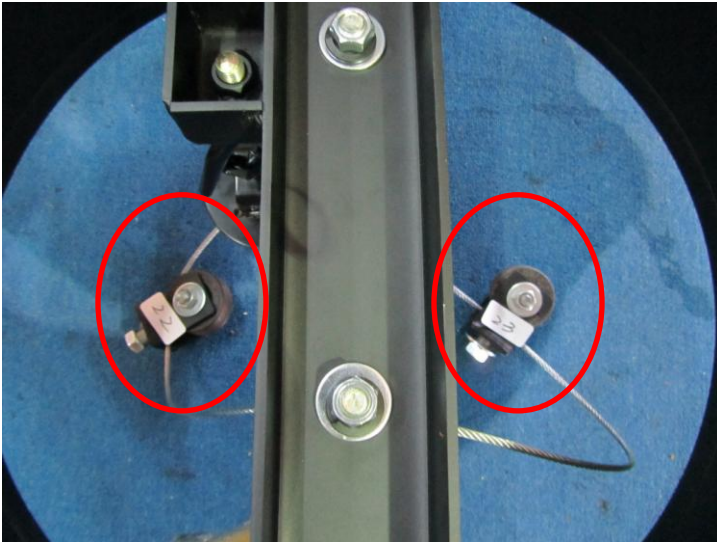


- Casters: lubrication once monthly.

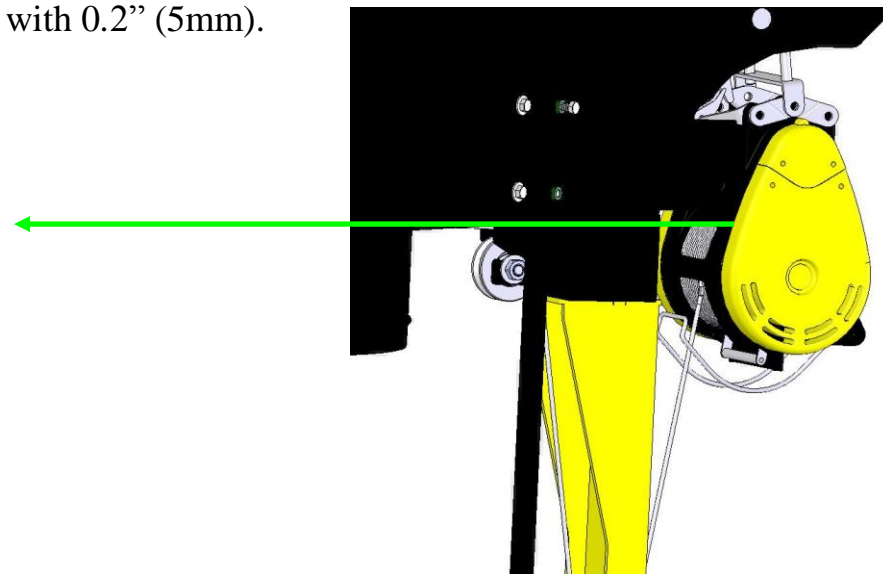


# BAY-10

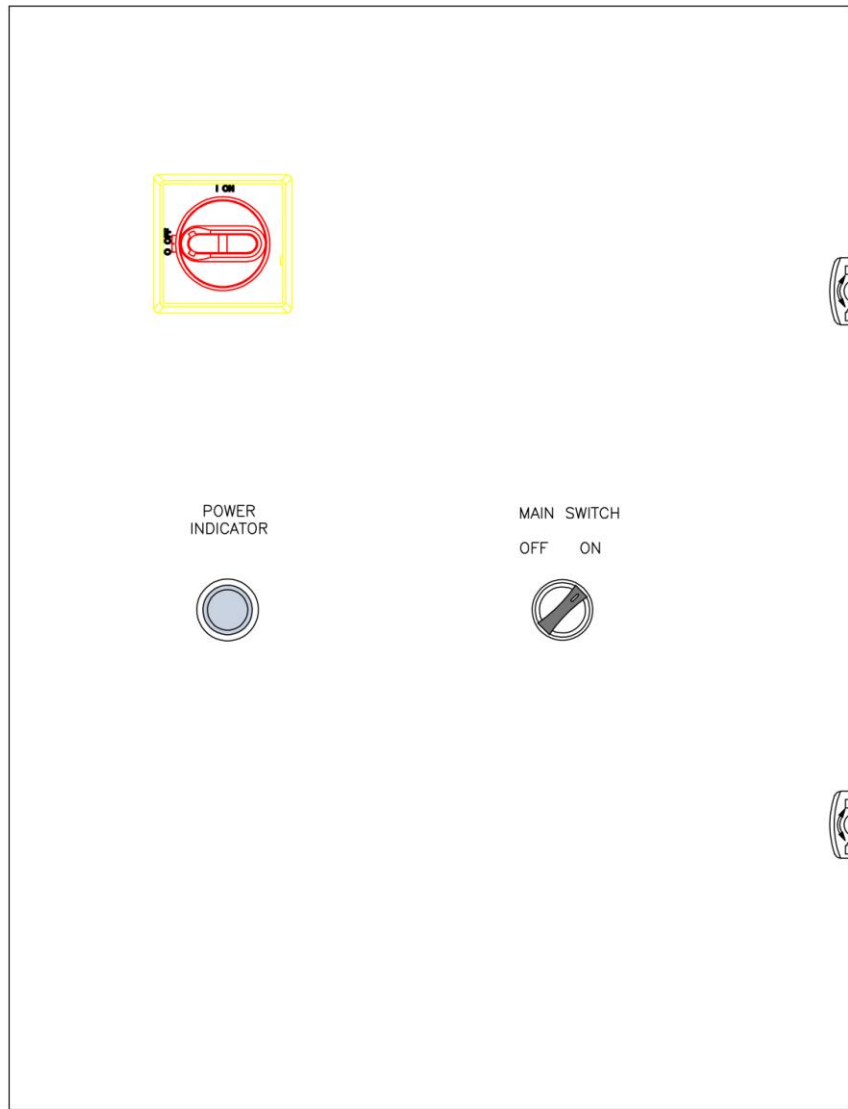
- Casters: lubrication once monthly.



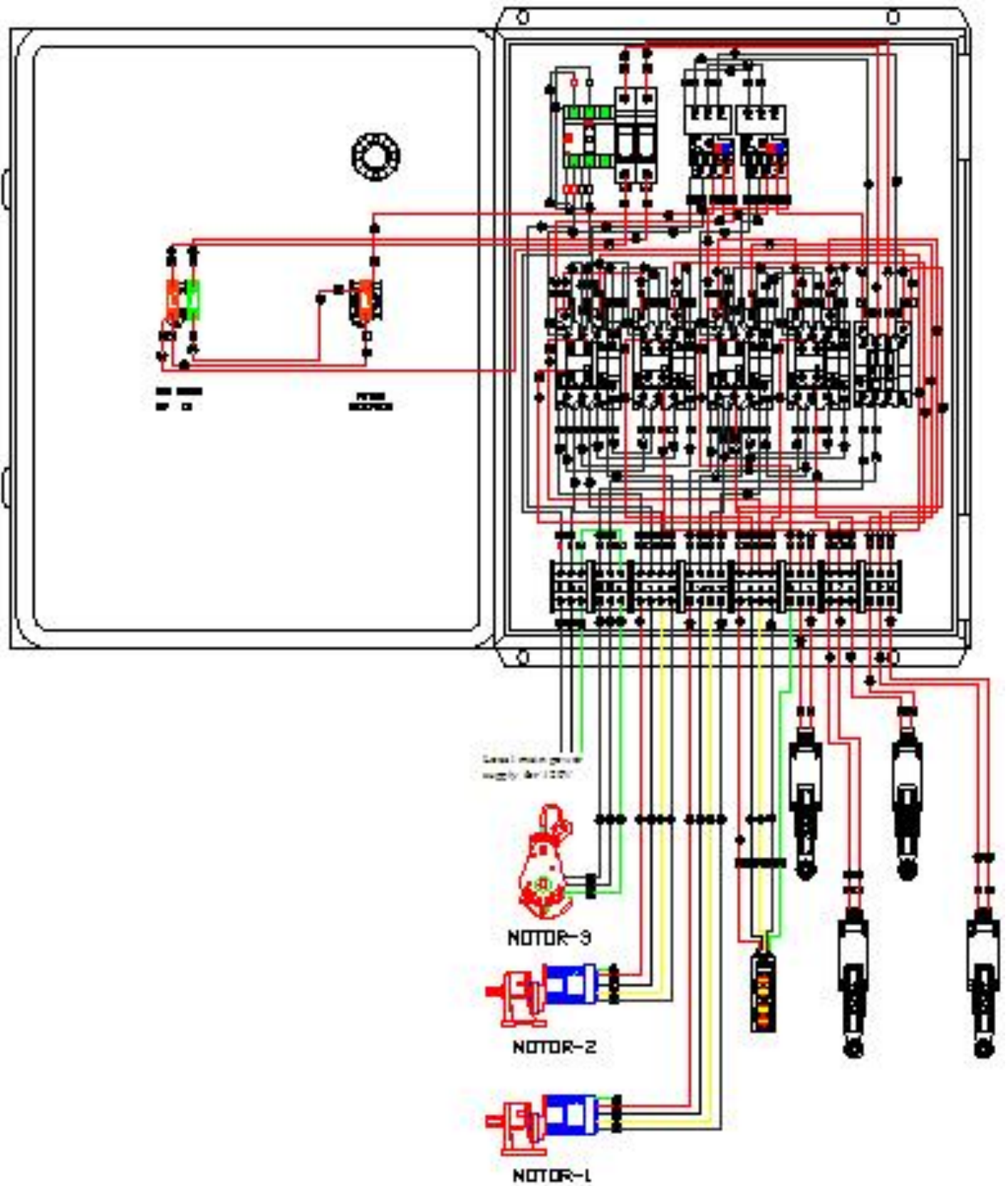
- Check the carbon brush lifespan and length for motor 3 every 6 months. Replace carbon brushes when the brush length is left with 0.2" (5mm).



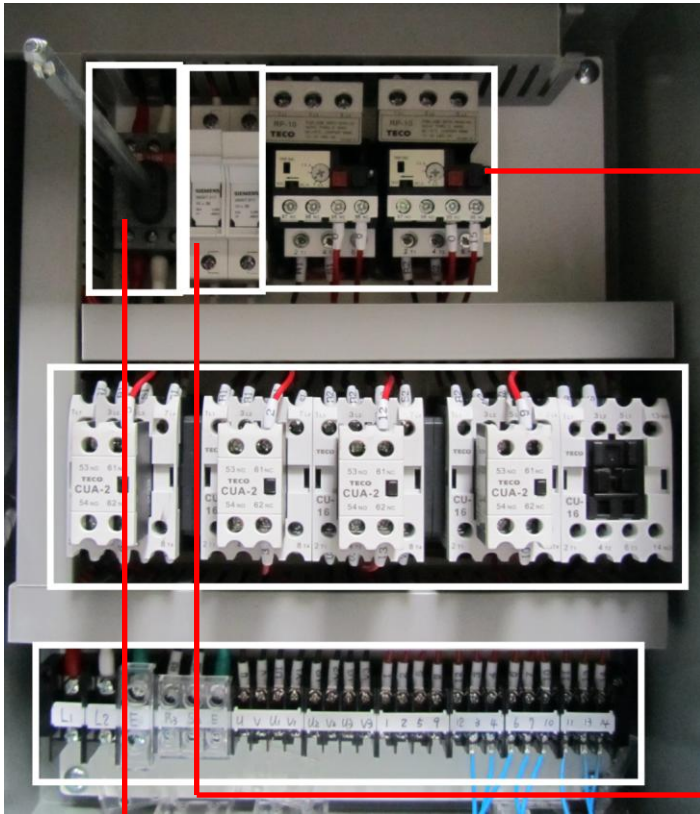
# Main Electrical Box Components for BAY-10



# Main Electrical Box Wiring for BAY-10



# Main Electrical Box Components



◆ Thermal Relay.



◆ Panel disconnect switch.



◆ Fuse bus.





# Main Electrical Box Components

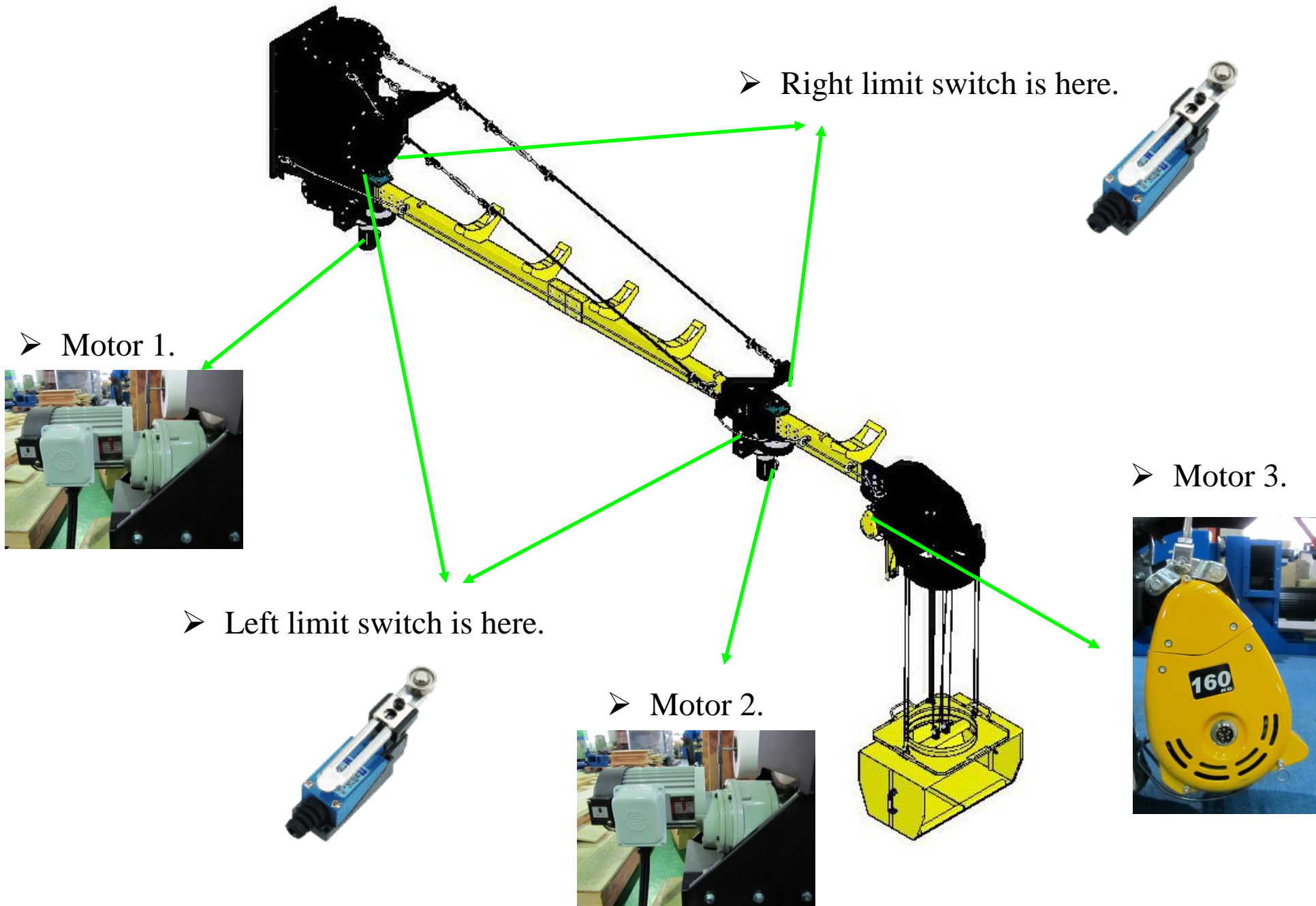


◆ Auxiliary Contact Blocks.

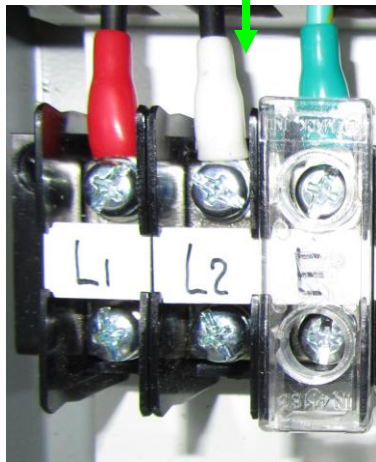
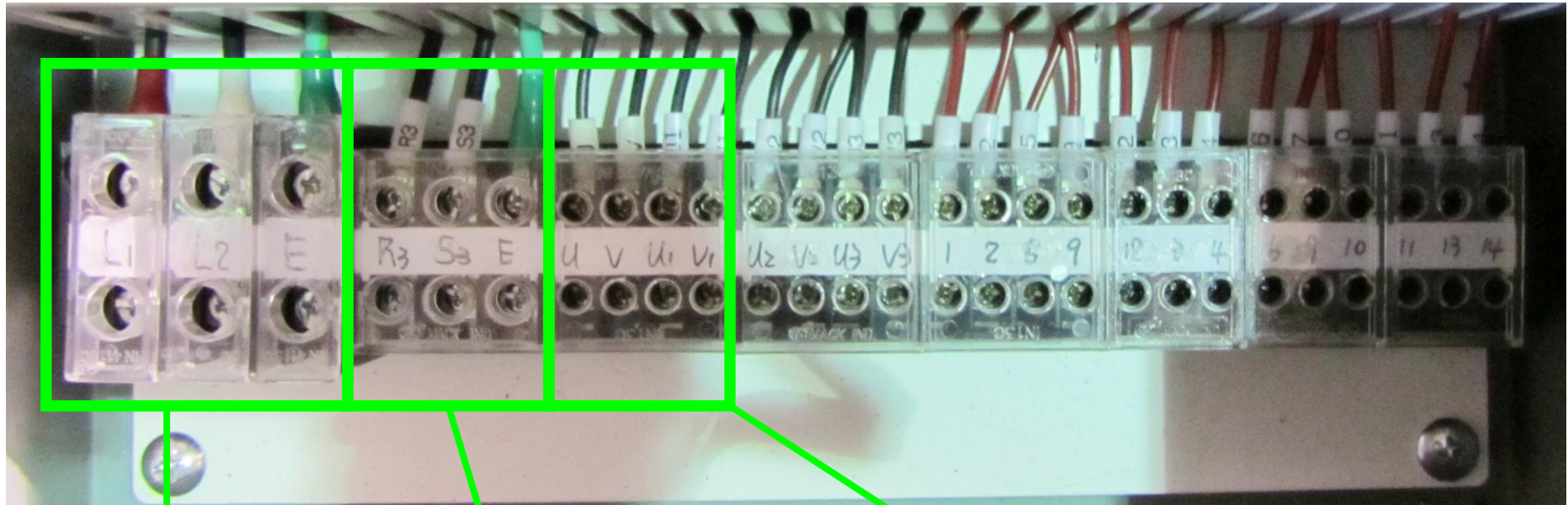
◆ Magnetic contactor.



# Main Electrical Box Components



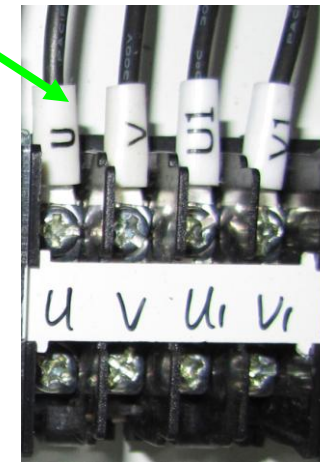
# Main Electrical Box Components



➤ Connect to main power supply for BAY-10. (120V)

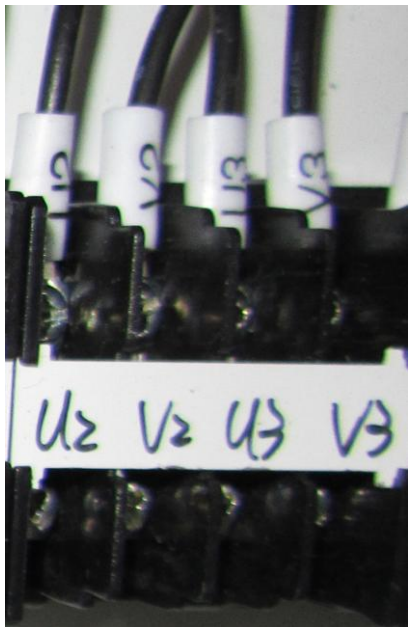
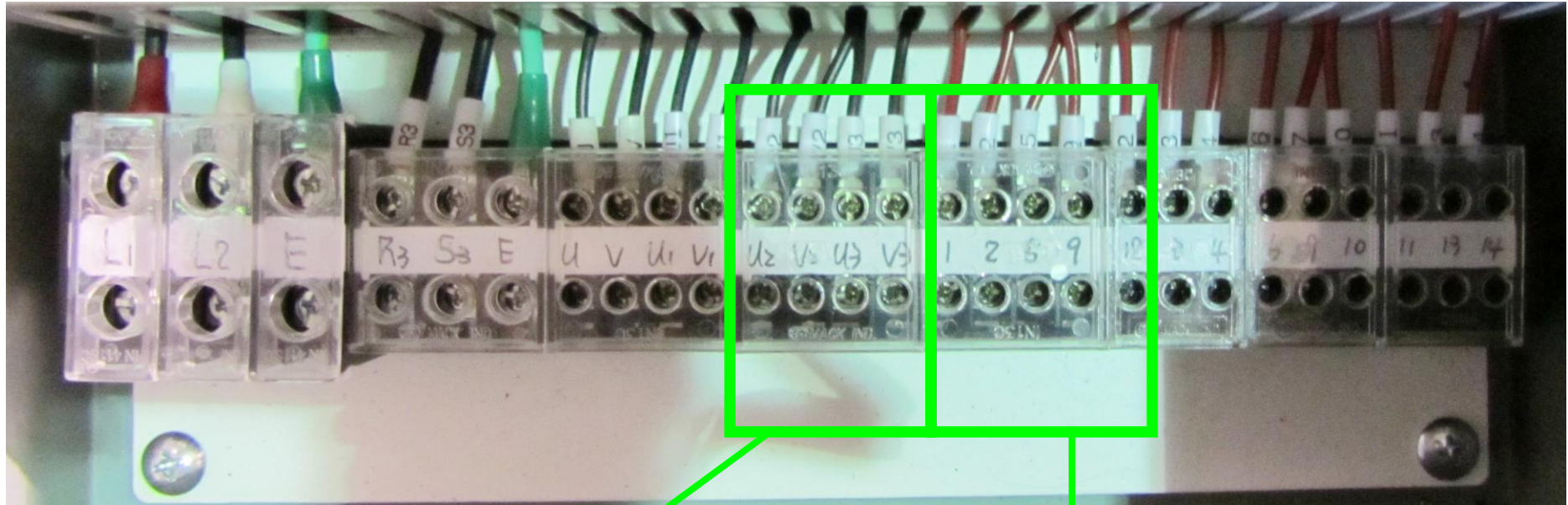


➤ Connect to motor 3 power supply for BAY-10.

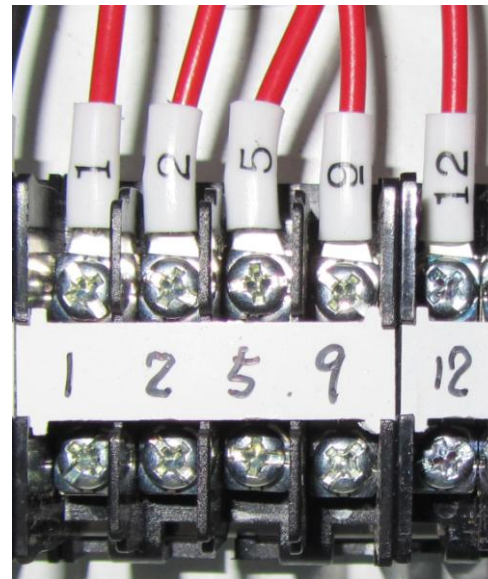


➤ Connect to motor 2 power supply for BAY-10.

# Main Electrical Box Components

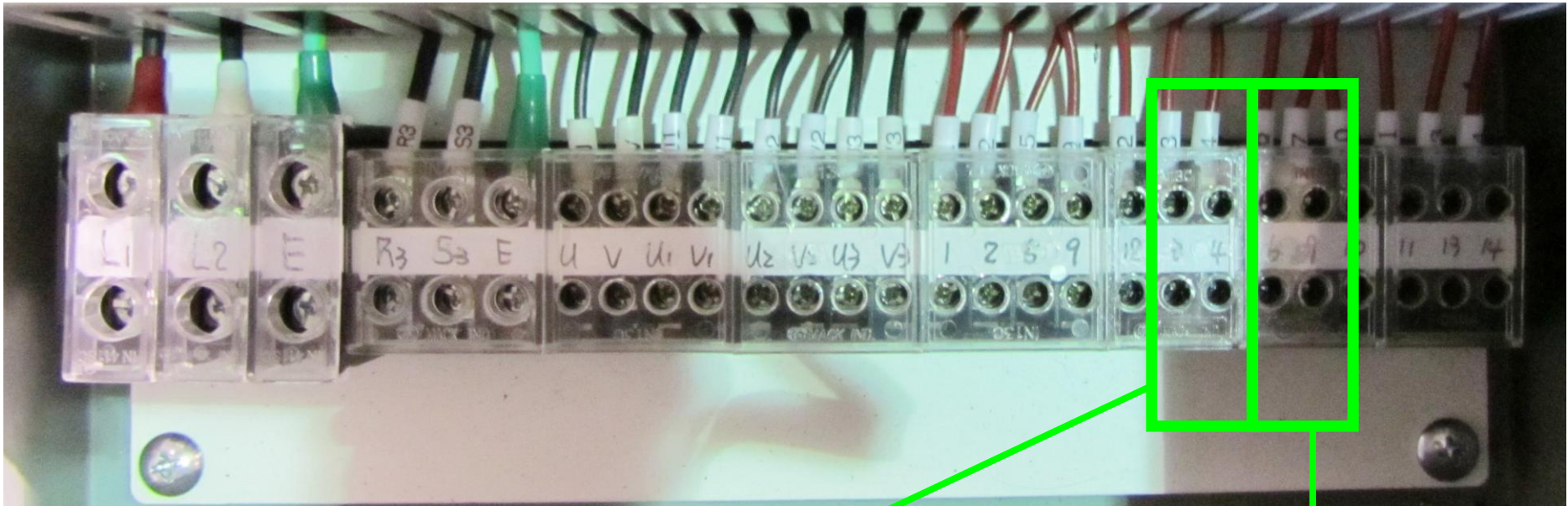


➤ Connect to motor 1 power supply for BAY-10.



➤ Connect to the complete pendant push button controls for BAY-10.

# Main Electrical Box Components

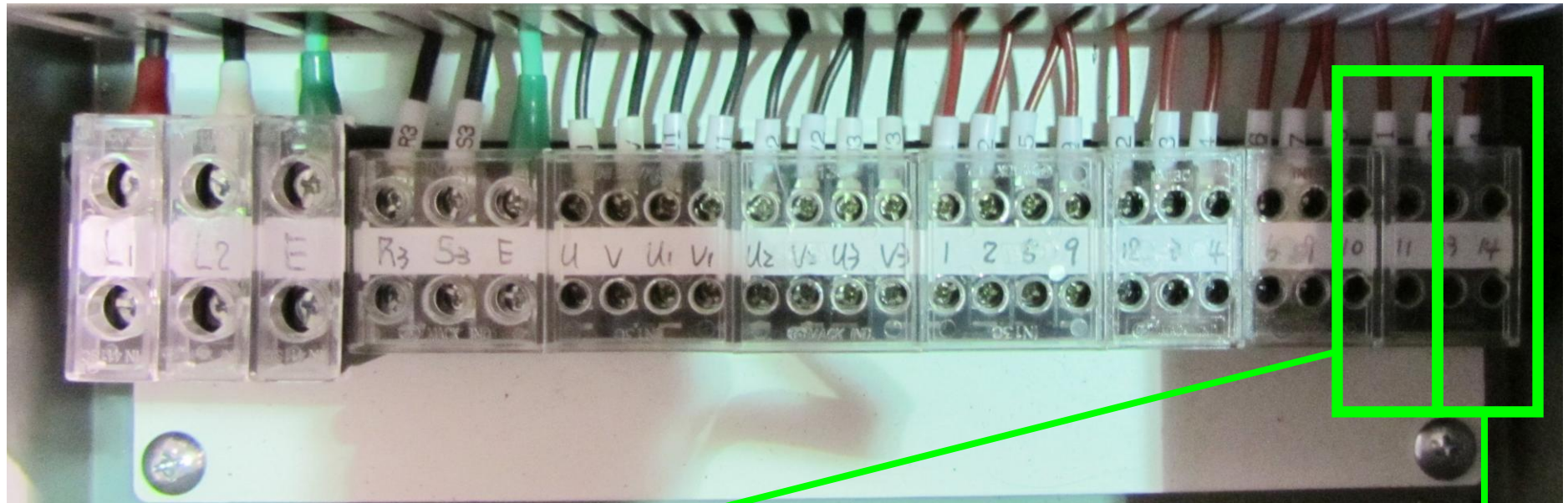


- Connect to the left limit switch of the motor 2 for BAY-10.

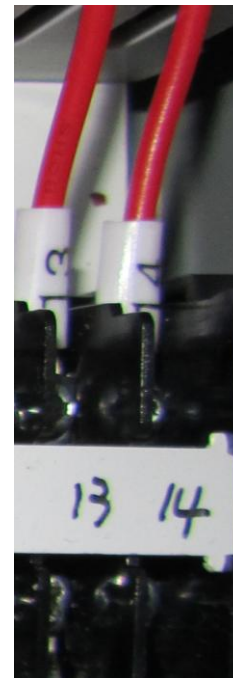


- Connect to the right limit switch of the motor 2 for BAY-10.

## Main Electrical Box Components



- Connect to the left limit switch of the motor 1 for BAY-10



- Connect to the right limit switch of the motor 1 for BAY-10.