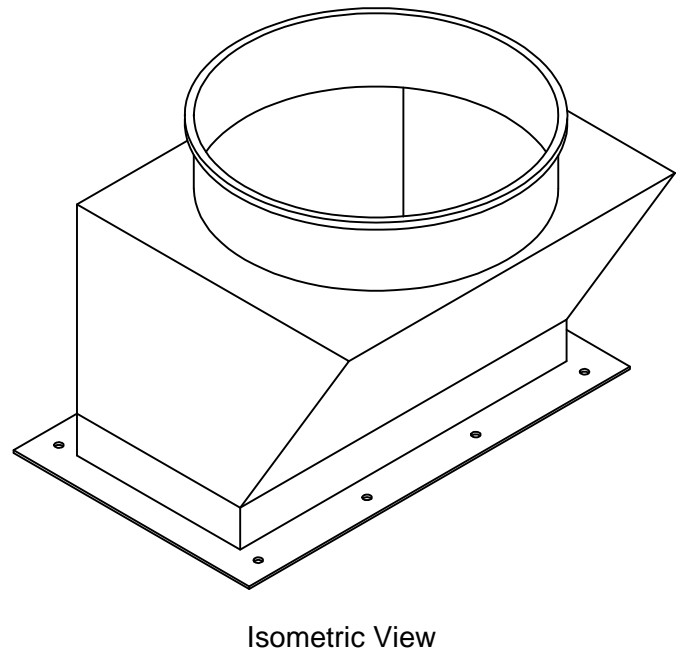
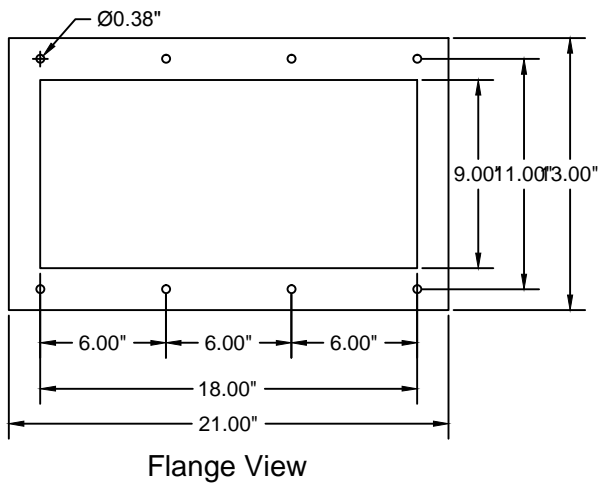
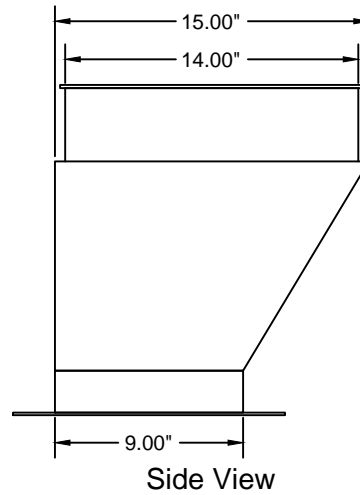
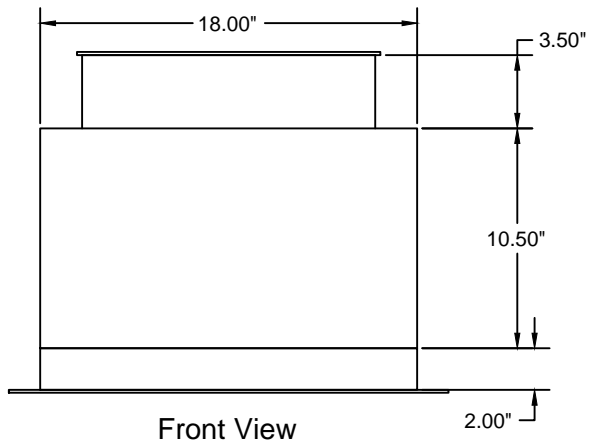


Hydromat Remmele SO 201042 Transition Drawing



Avani Environmental Intl. Inc.
95 Cypress Drive
Youngsville, NC 27596
P# 919-488-2862 F# 919-488-2863

Avani

Project: Hydromat Remmele

Drawing: Transition Drawing

Date: 3/10/14

Drawn by: MDT

Sheet No: 1 OF 1

Rev 1