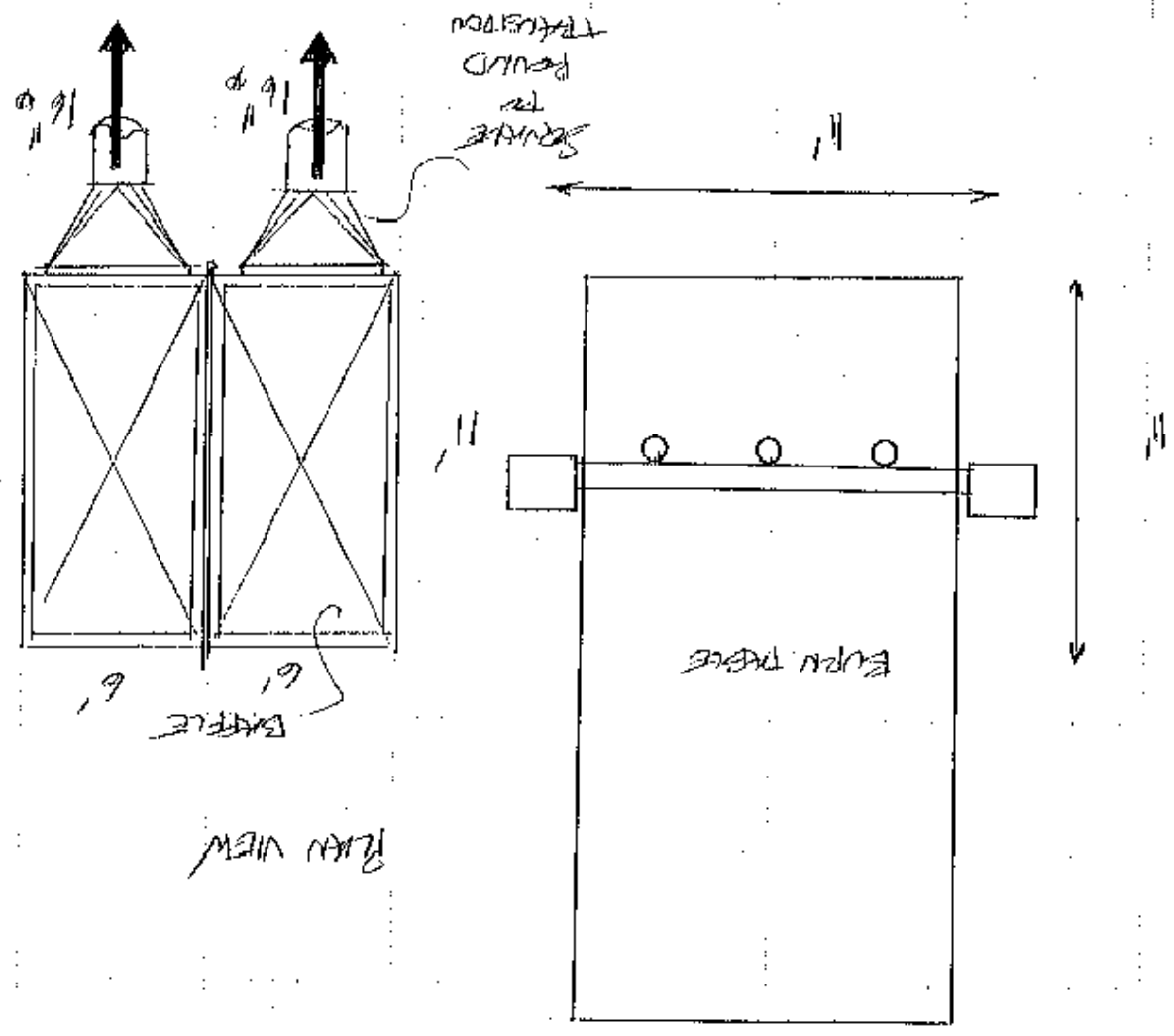


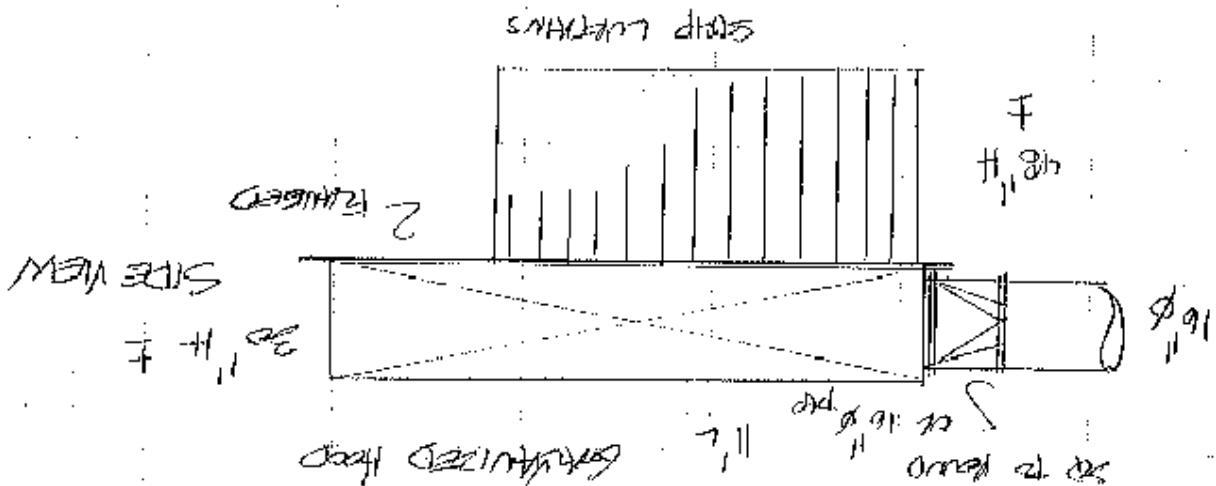
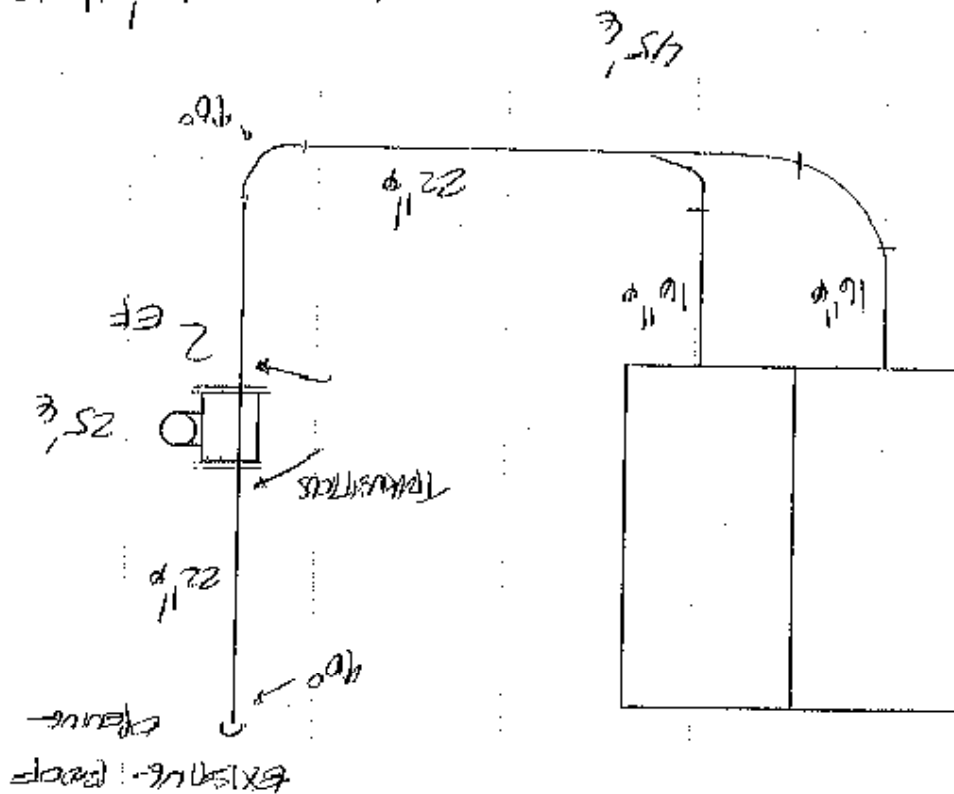
HEAD AREA = 121 SQ FT @ 75 FPM = 9075 CFM CAPACITY HEAD
 CIRCULAR RATE & STRESS



JOB: HUNTER ELECTRONICS DOWN/MS
 SHEET NO. 1 OF 2
 CALCULATED BY: _____ DATE: _____
 CHECKED BY: _____ DATE: _____
 SCALE: NOT TO SCALE

INDUSTRIAL AIR QUALITY, INC. (IAQ)
 Main: (919) 562-7181 Fax: (919) 562-7182
 Toll Free: (800) 232-9559
 www.industrialairquality.com
 Email: info@iaqsales.com

2
 ELEVATION = 16' H FT



JOB: FABRIC ENVELOPES

SHEET NO.: 2 OF 2

CALCULATED BY: _____ DATE: _____

CHECKED BY: _____ DATE: _____

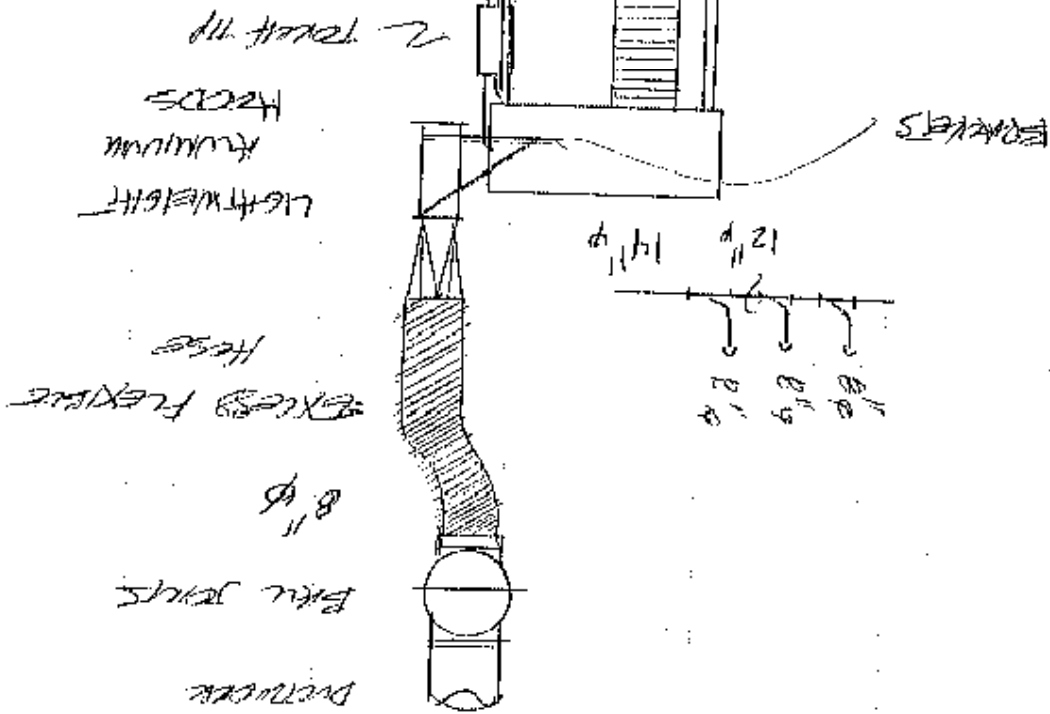
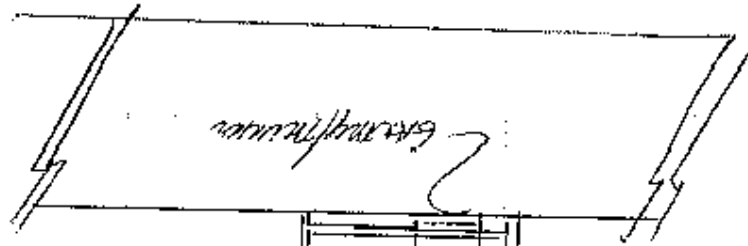
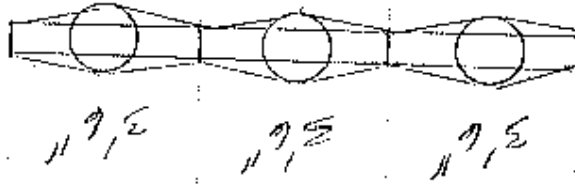
SCALE: 1/4" = 1'-0"

INDUSTRIAL AIR QUALITY, INC. (IAQ)
 Main: (919) 562-7181 Fax: (919) 562-7182
 Toll Free: (800) 232-9559
 www.industrialairquality.com
 Email: info@iaqsales.com

ALTERNATE SKETCH

3

FLAT VIEW
 $21 \times 42'' = 1000000 \text{ EX}$
 $\phi 1.750 \text{ DIA}$



JOB: HONER ENGINEER DAVIS, INC.

SHEET NO. _____ OF _____

CALCULATED BY _____ DATE _____

CHECKED BY _____ DATE _____

SCALE: NOT TO SCALE

INDUSTRIAL AIR QUALITY, INC. (IAQ)
 Main: (919) 562-7181 Fax: (919) 562-7182
 Toll Free: (800) 232-9559
 www.industrialquality.com
 Email: info@iaqsales.com