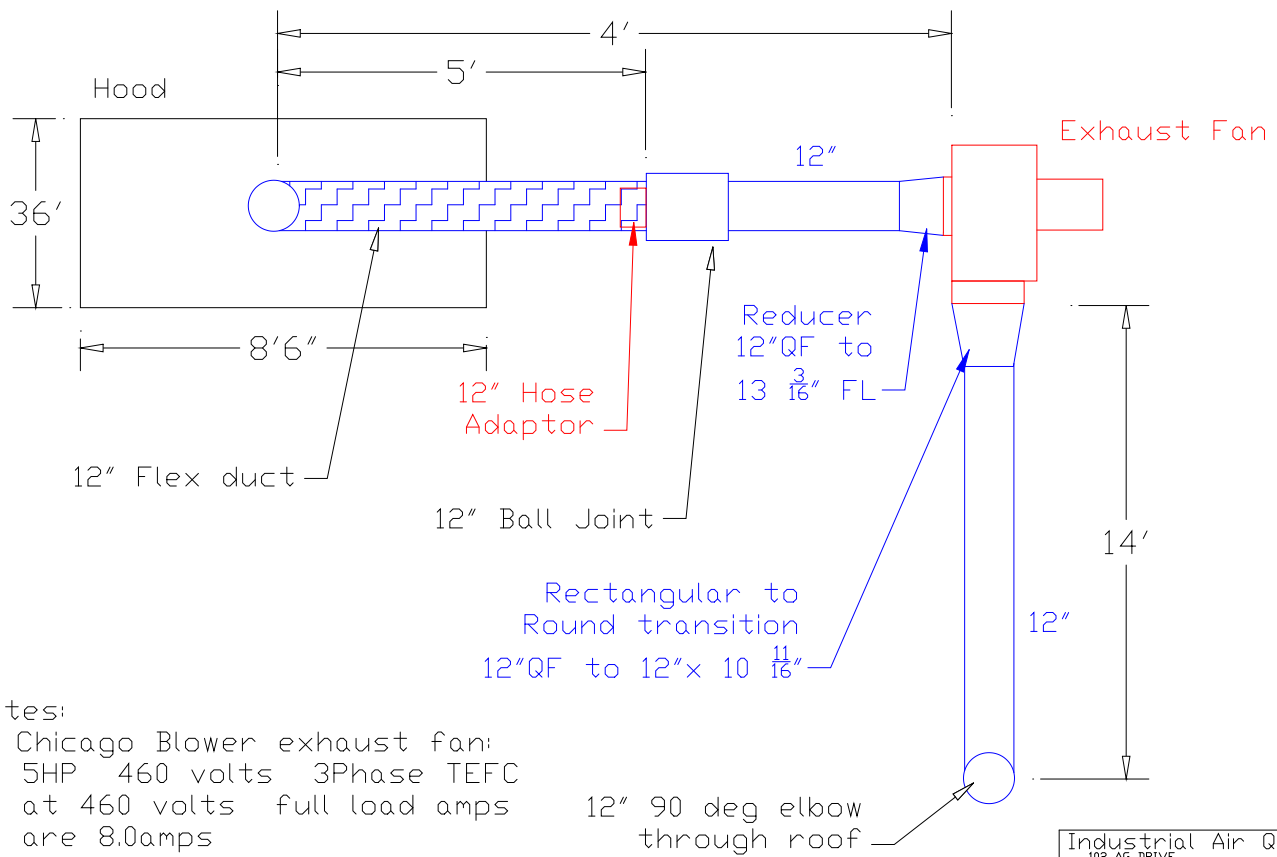


Ductwork Layout for Hood Project Plan View



Notes:

A) Chicago Blower exhaust fan:
5HP 460 volts 3Phase TEFC
at 460 volts full load amps
are 8.0amps

Industrial Air Quality		IAQ
102 AG DRIVE Youngsville, NC 27596		
P# 919-562-7181 F# 919-562-7182		
Project: Hunter Engineering		
Drawing: Ductwork layout		
Date: 4/8/08	Drawn by: RAV	
Sheet No:		