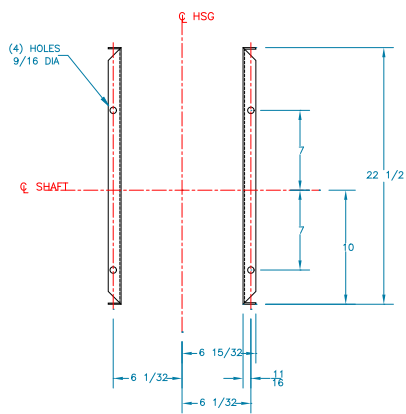
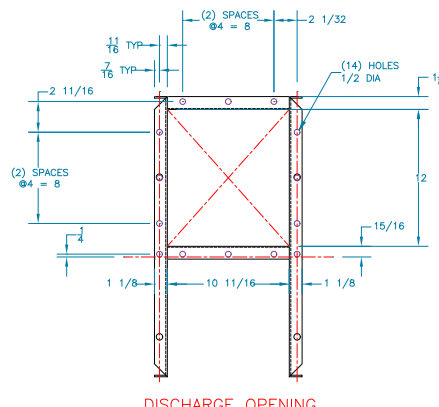


INLET FLANGE
PUNCHING DETAIL

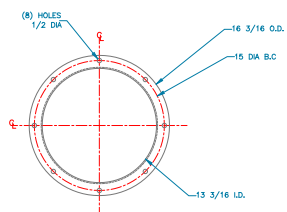
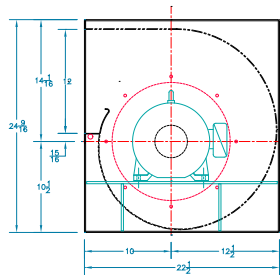
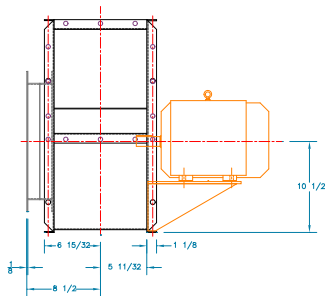


FOUNDATION PLAN

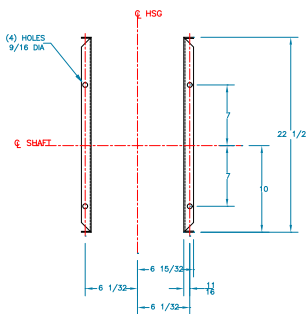


DISCHARGE OPENING
& OUTLET FLANGE
PUNCHING DETAIL

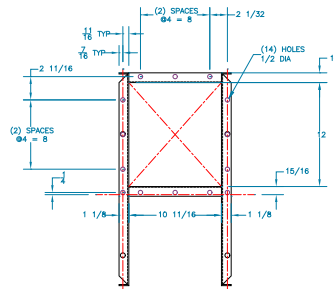
CBC FAN ASSEMBLY NO.: 36-1-0183-09-7-00-01F
 INCLUDES CCW B WHEEL ASSEMBLY: 08-5-1532-03



INLET FLANGE PUNCHING DETAIL



FOUNDATION PLAN



DISCHARGE OPENING & OUTLET FLANGE PUNCHING DETAIL

ACCESSORIES

1. Flanged Inlet (shown)
2. 6 x 10 Clamp Type Cleanout Door. Door location is at 3 o'clock
3. Type B wheel

NOTES

Motor furnished and mounted by cbc.
 For details see title block.

QUANTITY OF FANS: 1

CAUTION		ALL DIMENSIONS IN INCHES		JOB #	282176	CUST P.O. #	21553		
PRIOR TO DESIGN AND START-UP, REFER TO SERVICE MANUAL FOR INSTRUCTIONS AND SAFETY PRECAUTIONS. FAN SIZE AS SHOWN BELOW: 12-1/4 SCALE: NONE PURCHASER TO PROVIDE OPENINGS IN BUILDING OR STRUCTURE OF SUFFICIENT SIZE TO PERMIT INSTALLATION OF EQUIPMENT PARTS AS SHOWN IN THIS DRAWING. THIS DOCUMENT CONTAINS MATERIAL AND/OR INFORMATION WHICH IS THE PROPERTY OF CHICAGO BLOWER CORP. AND SUPPLIED ONLY ON A CONFIDENTIAL BASIS. NO INFORMATION OR DISCUSSION SHALL BE MADE TO ANY PERSON, FIRM, OR CORP. WITHOUT THE PRIOR WRITTEN APPROVAL OF CHICAGO BLOWER CORP.		FAN SIZE AS SHOWN BELOW: 12-1/4 SCALE: NONE		CUST.	INDUSTRIAL AIR QUALITY	JOB NAME	MILNEX ENGINEERING		
				INDY FAN	P.O. 21553/CUST	DESTINATION	DURANT, MS		
				PERFORMANCE CFM 3060 O.V. 34.77 IN W.G. 3.85 SP 34.03 RPM 3600 BHP 18.072 BR. TORQUE 18.072 TEMP. 170 ALT. 0 OPER. QUANTITY 1200-11 1675 GLEN ELLYN ROAD, GLENDALE HEIGHTS, IL 60139				TITLE	D/36A (SQBD) FAN ASSEMBLY
				MOTOR DATA HP 3 RPM 3600 PHASE 3 HERTZ 60 VOLTAGE 230/240 FRAME 184T TYPE TEFC ENCLOSURE 1-15 PRICE				SIZE	12-1/4 ARRANGEMENT 4
								TH	DISCHARGE CCW ROTATION 100% WIDTH
								DATE	04/07/08
								DRW. NO.	282175-02
								CHK.	ENGR 04/07/08
								REV.	