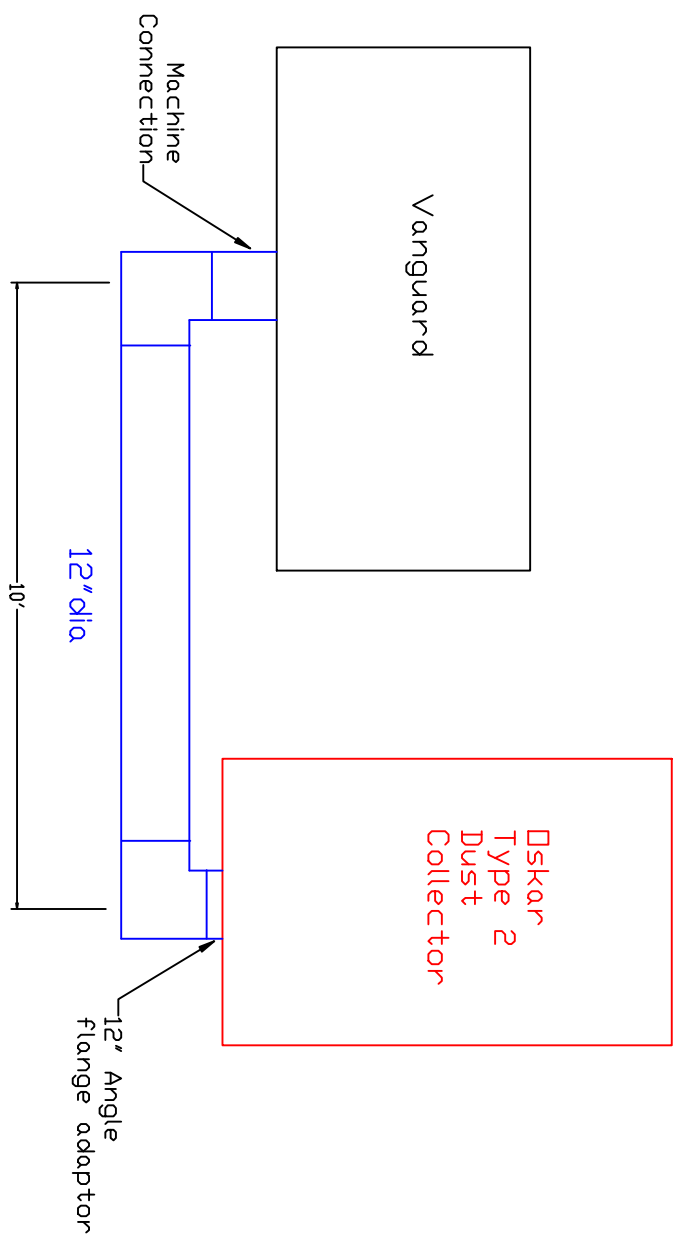


# Ductwork for Type 2 Oskar Collector

Plan View



Oskar Environmental
102 AG DRIVE
Youngsville, NC 27596
Ph 919-562-7181 F# 919-562-7182
Project: Howard Tech Sch
Drawing: Type 2 duct layout
Date: 8/24/10 Drawn by: RAV