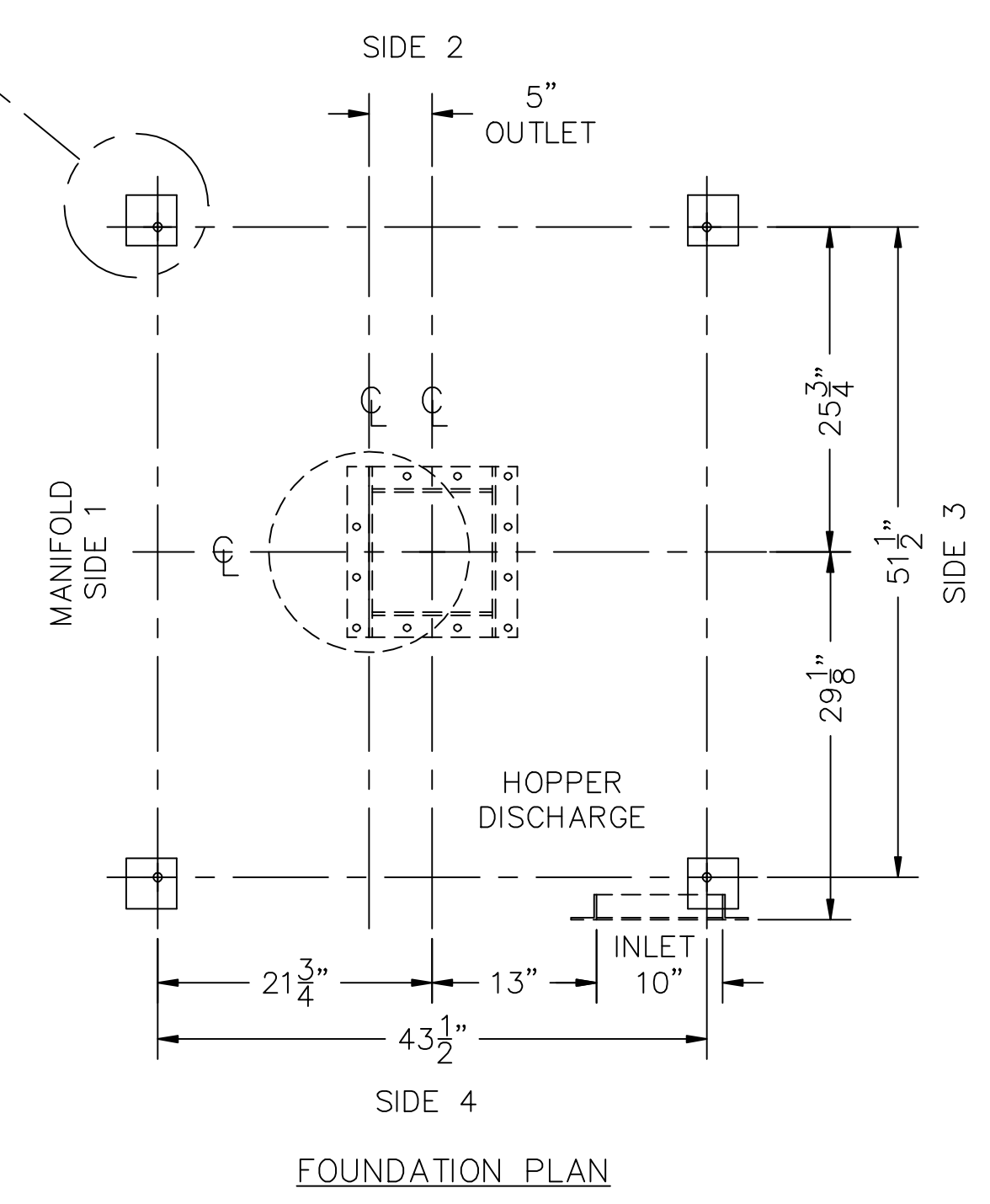
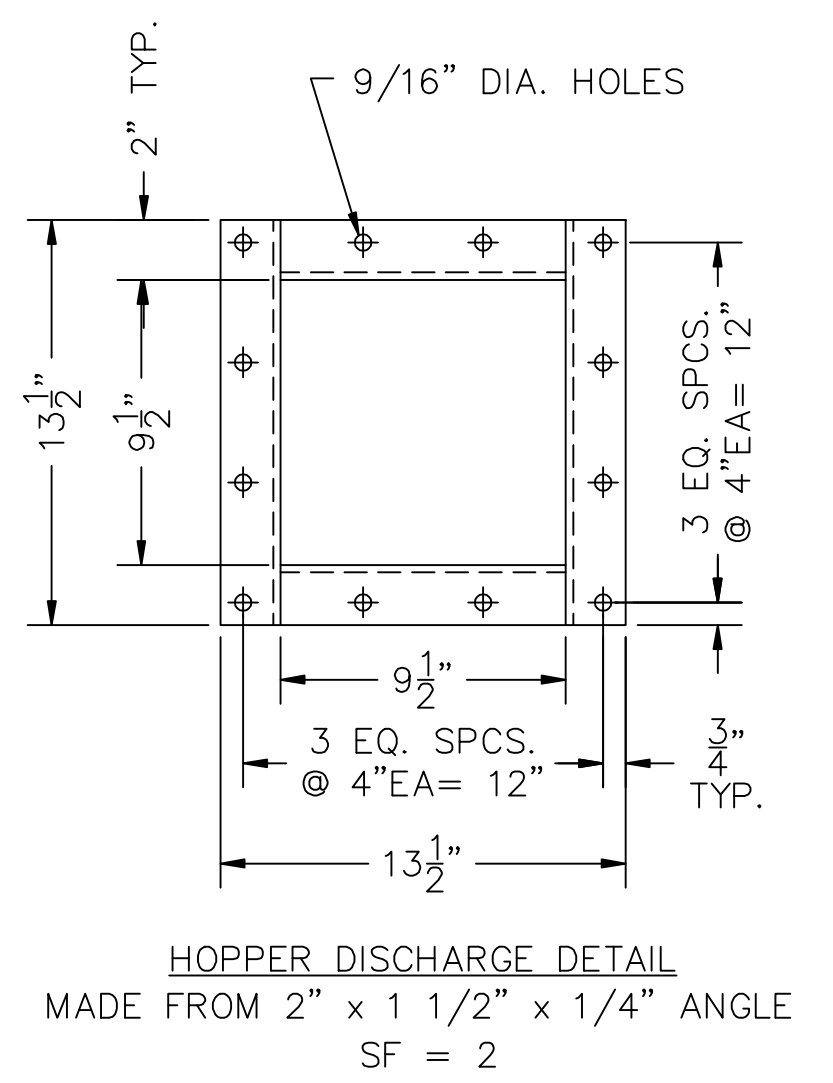
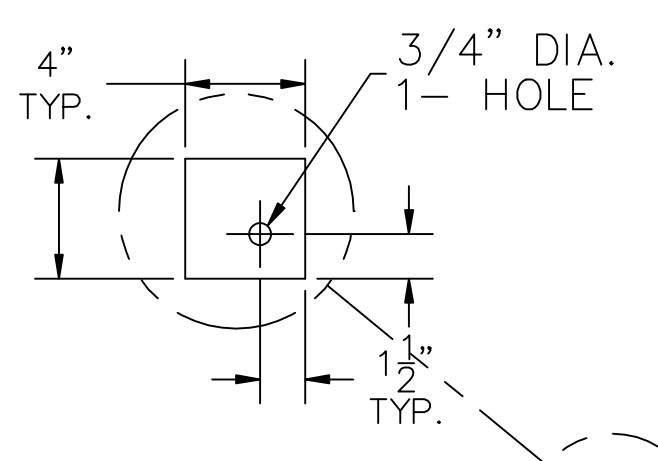
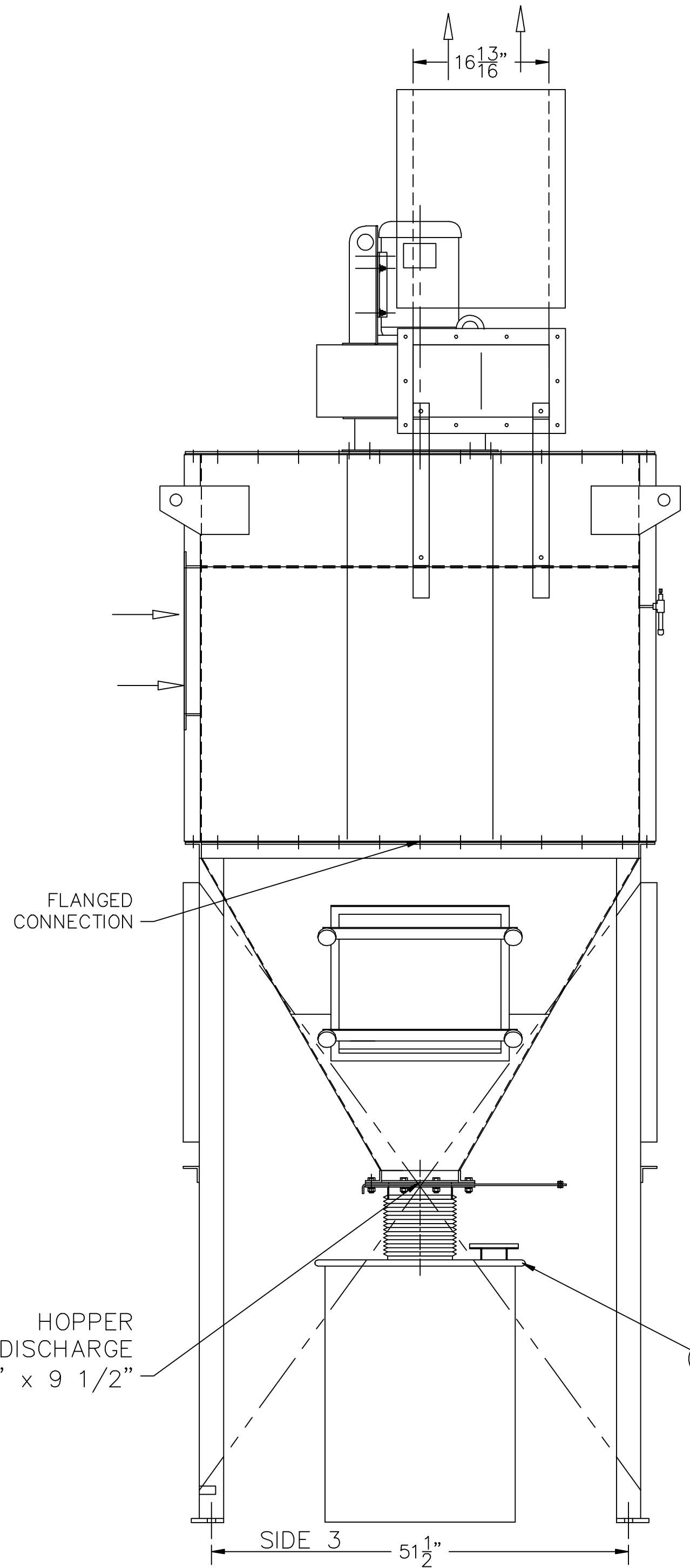
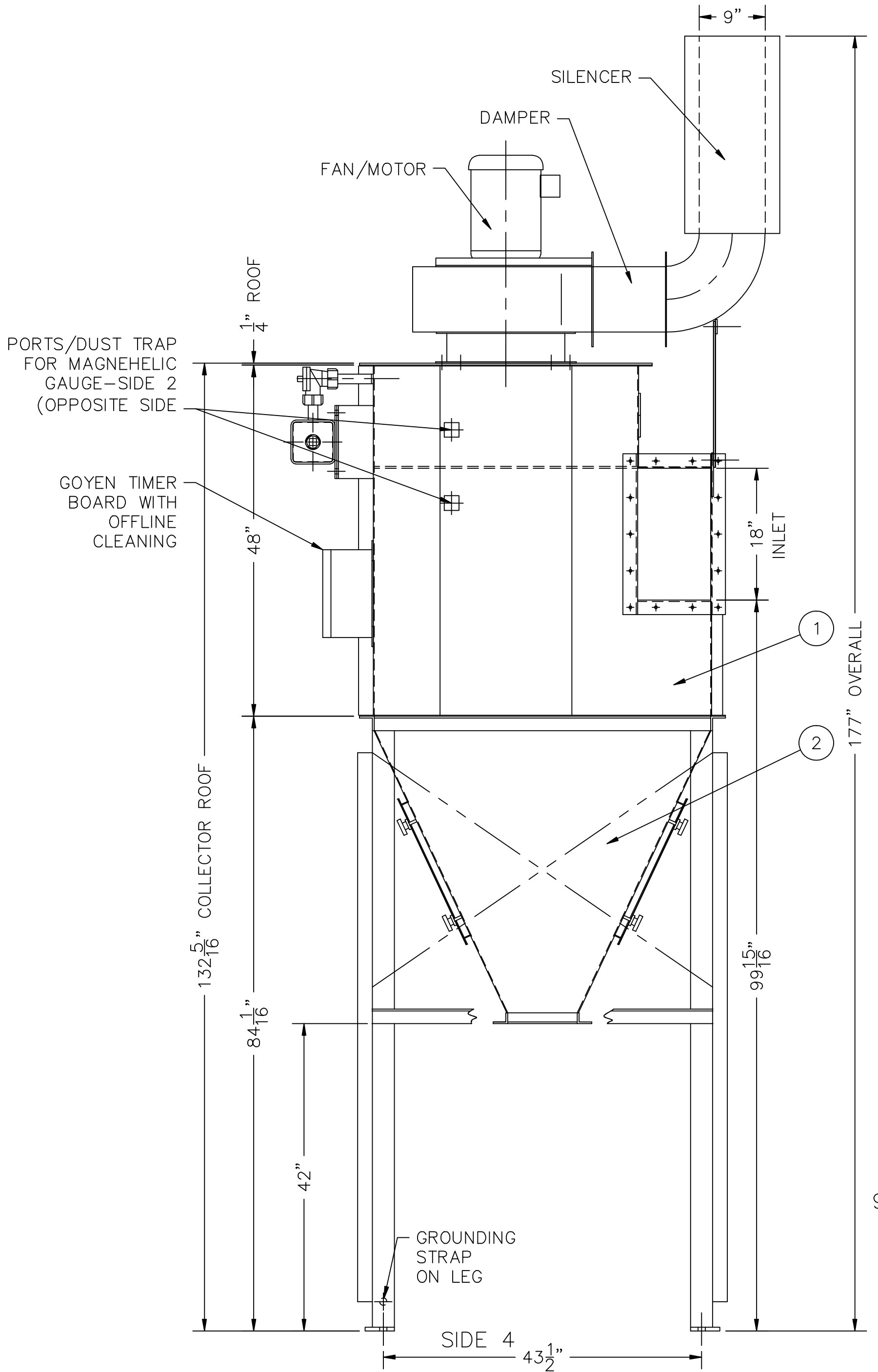


BILL OF MATERIAL				
ITEM	DESCRIPTION	PART NO.	DWG NO.	MAT'L
1	BIN ASSEMBLY			1
1	HOPPER ASSEMBLY			2
1	TOP COVER ASSEMBLY			3
40	3/8"-16 x 1 1/4" LG WHIZ BOLTS	516038		5
40	3/8"-16 WHIZ NUTS	514934		6
1	PAINT; PEBBLE GRAY; #7032	536350		4
1	SEALANT 3M-606	506977		7
	PRIVATE LABEL (NO SDC LABEL)			8
*	SLIDE GATE	504165		11
*	DRUM LID ADAPTER	500135		12
*	FAN; DIRECT DRIVE 7.5HP, 2,500CFM	536344		13
*	SILENCER, FAN	532423		14

SCIENTIFIC MP-6 DUST COLLECTOR SPECIFICATIONS:

- | | |
|---------------------------------|-----------------|
| 1. NUMBER OF CARTRIDGES | 6 |
| 2. CARTRIDGE LENGTH | 28 INCHES |
| 3. COMPRESSED AIR REQUIREMENTS | 0.8-3.4 |
| SCFM @ 90-100 PSIG | |
| CLEAN DRY AIR | |
| 4. NUMBER OF VALVES | 3 (1") |
| 5. INLET OPENING | 10" x 18" |
| 6. OUTLET OPENING | 15 7/8" I.D. |
| 7. TWO ACCESS DOORS ON HOPPER | 20" x 20" |
| 8. HOPPER DISCHARGE OPENING | 9 1/2" x 9 1/2" |
| 9. HOUSING MATERIAL | 12 Ga. HRS |
| 10. APPROXIMATE SHIPPING WEIGHT | 1500 LBS. |



PLEASE SIGN APPROVED FOR MANUFACTURE: _____ DATE: _____

THIS MATERIAL IS PROPERTY OF SCIENTIFIC DUST COLLECTORS. NO RIGHTS ARE GRANTED TO USE SUCH MATERIAL FOR ANY PURPOSE OTHER THAN (1) PRODUCT EVALUATION OR MAINTENANCE OR (2) THE FURNISHING OF SERVICES AND SUPPLIES TO SCIENTIFIC DUST COLLECTORS.

CERTIFIED PRINT
USE ONLY FOR
YOUR ORDER 23556
OUR ORDER 64250
CUST. HONDA PRECISION PARTS OF GA, LLC
DATE 12/02/10 O.K.

TITLE MP-6 CARTRIDGE DUST COLLECTOR	
TOLERANCE UNLESS OTHERWISE NOTED .000 ± FRACTIONS ± 1/16" .00 ± ANGLES ± 1°	SCIENTIFIC DUST COLLECTORS 4101 W. 26TH STREET ALSP, ILLINOIS 60803
DRW BY M.N.	CHKD BY P.W.R.
DATE 12/8/2010	SCALE 5/64"=1"
REFER TO 62375, 62736	DRAWING NO. 64250

USE HARDWARE BAG PART NO. 536342 DWG
USE WIRING DIAGRAM W3