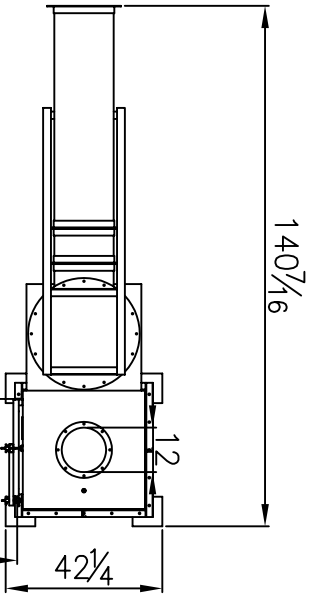
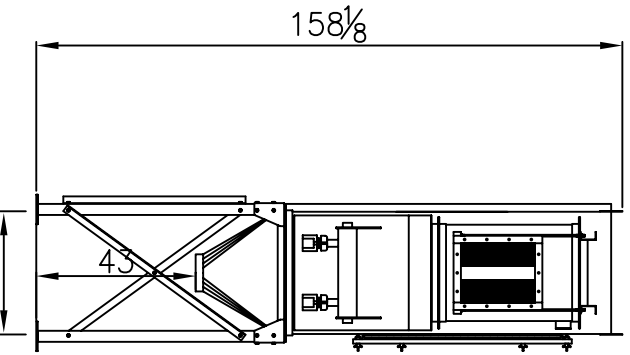


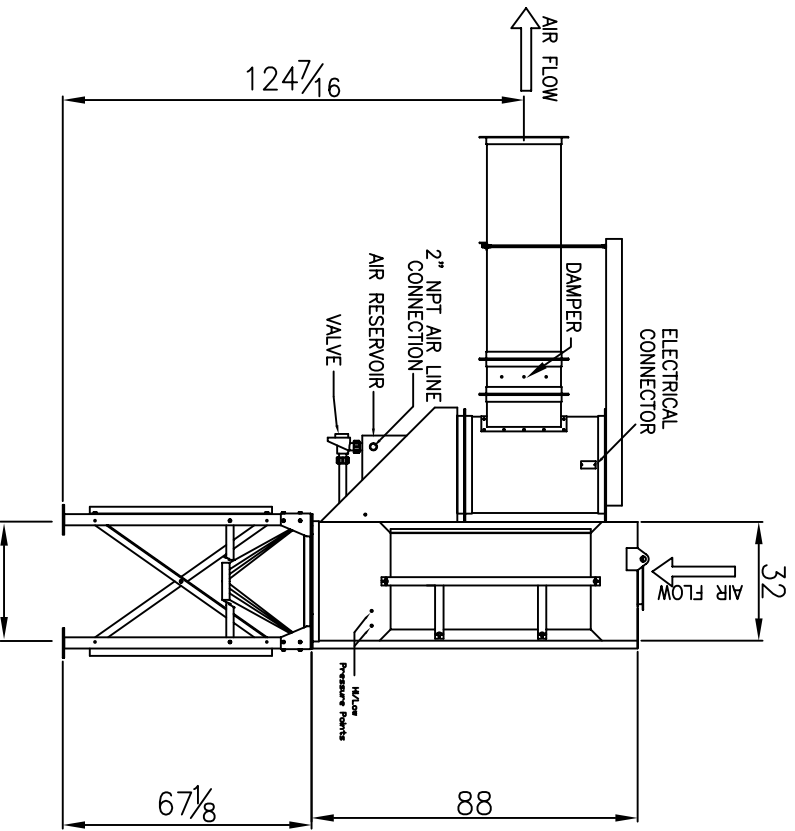
Amtech, LC claims proprietary rights to the material disclosed hereon. This drawing and/or technical information is the property of Amtech, LC and is issued in confidence for use only as authorized, and may not be reproduced or described or shown to others without written permission from Amtech, LC



DOOR CLEARANCE 30" MINIMUM



3 3/4 ANCHOR POINTS CTR TO CTR



3 2/4 ANCHOR POINTS CTR TO CTR

**AMTECH**  
 127 FRANKLIN ROAD  
 RUSSELLVILLE, KY.  
 PHONE 270-726-9654  
 FAX # 270-726-4692

**AT-4**  
 AIR FILTRATION UNIT

OUTLINE DRAWING

DATE:	2/28/07
REVISION	
DRAWN BY:	W.R.COX
SCALE:	
MAT'L:	MILD STEEL
GA/TYPE	MISC.
SHIPPING WT.	

**DESIGN TYPE**

TOP INLET  
 55 GAL. DRUM