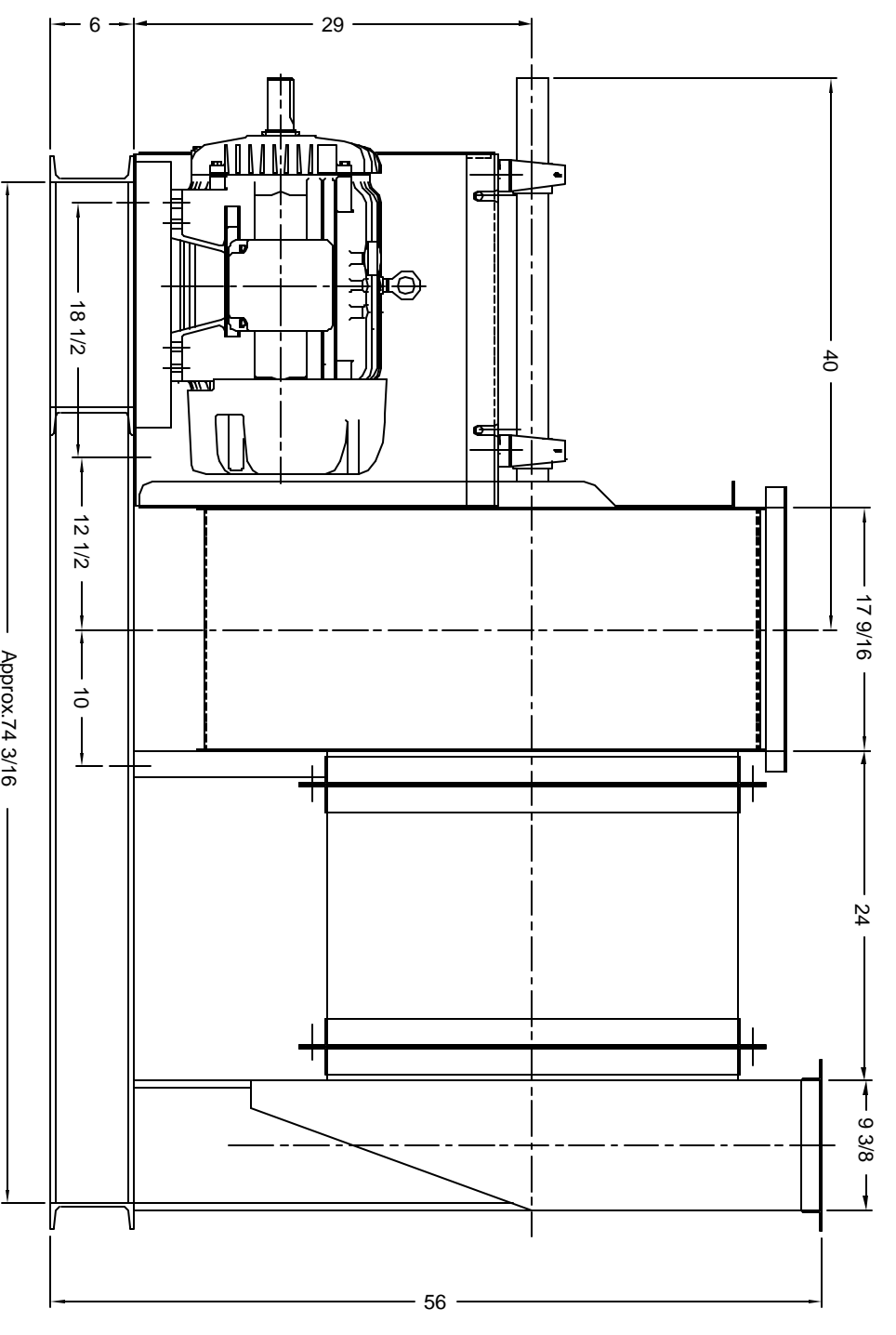


DRIVE SIDE

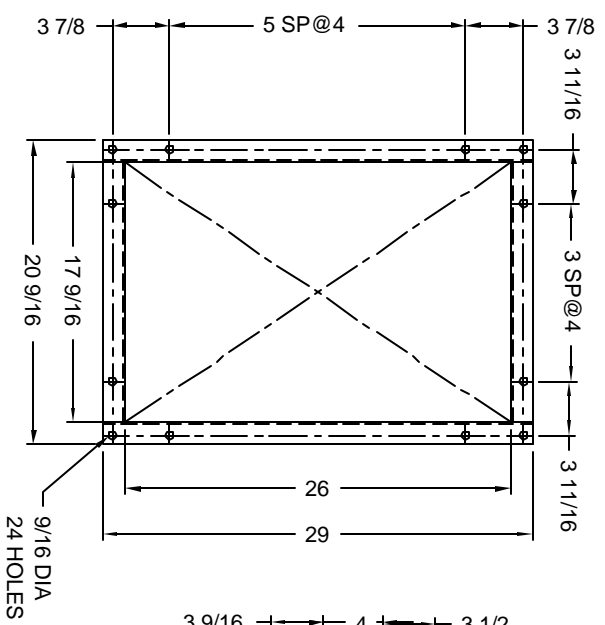


SIDE VIEW

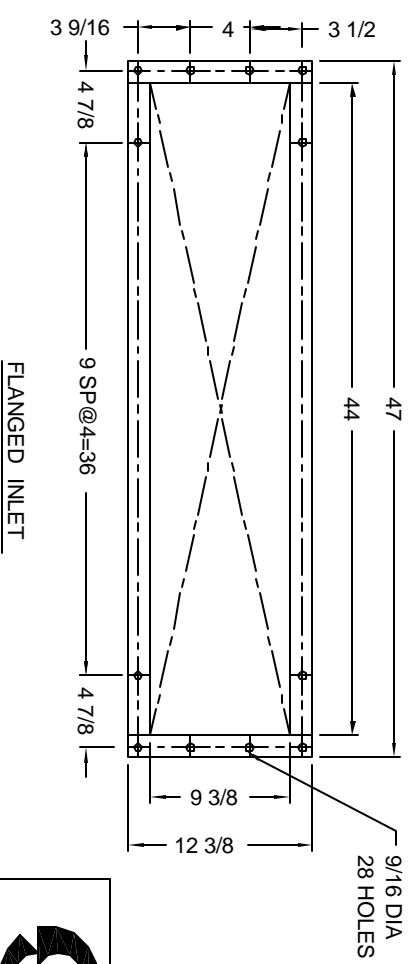
Approx. 74 3/16

**FEATURES**

- PUNCHED FLANGED OUTLET.
  - PUNCHED FLANGED INLET
  - DRAIN
  - ACCESS DOOR
  - EXTENDED LUBE LINES
  - OSHA BELT GUARD (PAINTED YELLOW)
  - OSHA SHAFT & BRG GUARD (PAINTED YELLOW)
  - UNITARY BASE
  - SPRING ISOLETORS
- DRIVES SUPPLIED AND MOUNTED BY S.E.  
MOTOR SUPPLIED AND MOUNTED BY S.E.



FLANGED OUTLET



FLANGED INLET

**PERFORMANCE**

10000 CFM  
2730 RPM  
16.5 S.P.  
34.8 B.H.P.



**SHELDONS ENGINEERING INC**  
www.sheldonsengineering.com  
sales@sheldonsengineering.com

TITLE: UNIFOIL FAN - D3000 SIZE 24 1/2, CL III 80% WW  
ARR 1,CW/LUB MOTOR FRAME 324T POSITION 'W'

**INDUSTRIAL AIR QUALITY**

DRAWN: S.F.	CUST:	PAGE: 17701	SO: 05-0215
DATE: SEP 2/05	DWG NO: CD-050216		
CHKD:			
SCALE: NTS			