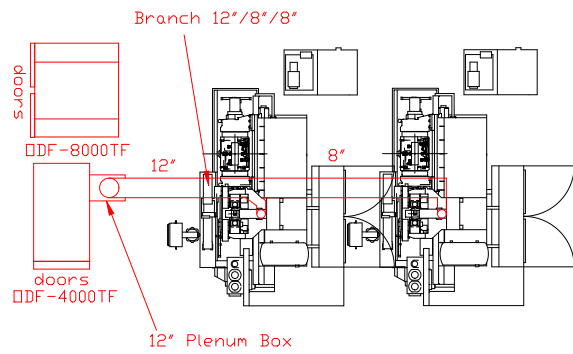
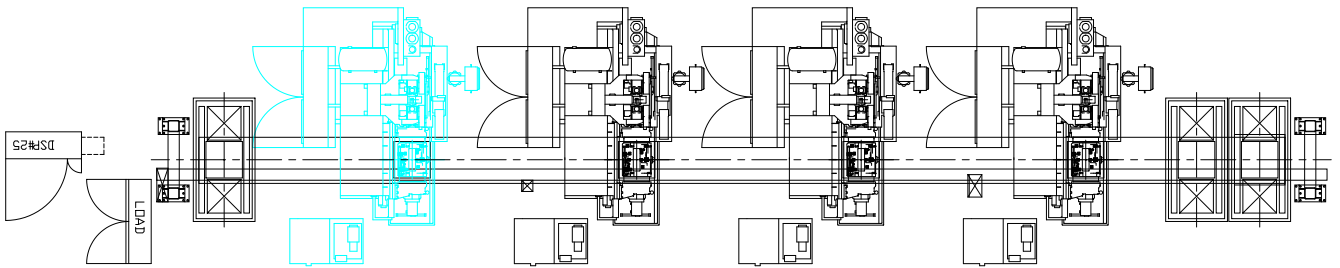


Plan View of Ductwork Layout
Block Line #9 - FB Hone B-side



Notes:

- A) Each drop will have a Butterfly damper for airflow adjustment.
- B) Each drop will have a Bleed in valve to allow for balancing.
- C) ODF-4000TF has 5HP 460volt 3Phase motor. Full load amps are 8.33amps.
- D) Drain line: P-Trap made of $\frac{3}{4}$ " Galvanized with ball valve and unions. IAQ to provide. Honda to provide piping to sump.

Industrial Air Quality	IAQ
95 CYPRESS DRIVE	27596
Youngsville, NC	
P# 919-562-7181	F# 919-562-7182
Project: Honda Canada	
Drawing: Block#9 FB Hone B-side	
Date: 03/27/08	Drawn by: WWB
Sheet No:	