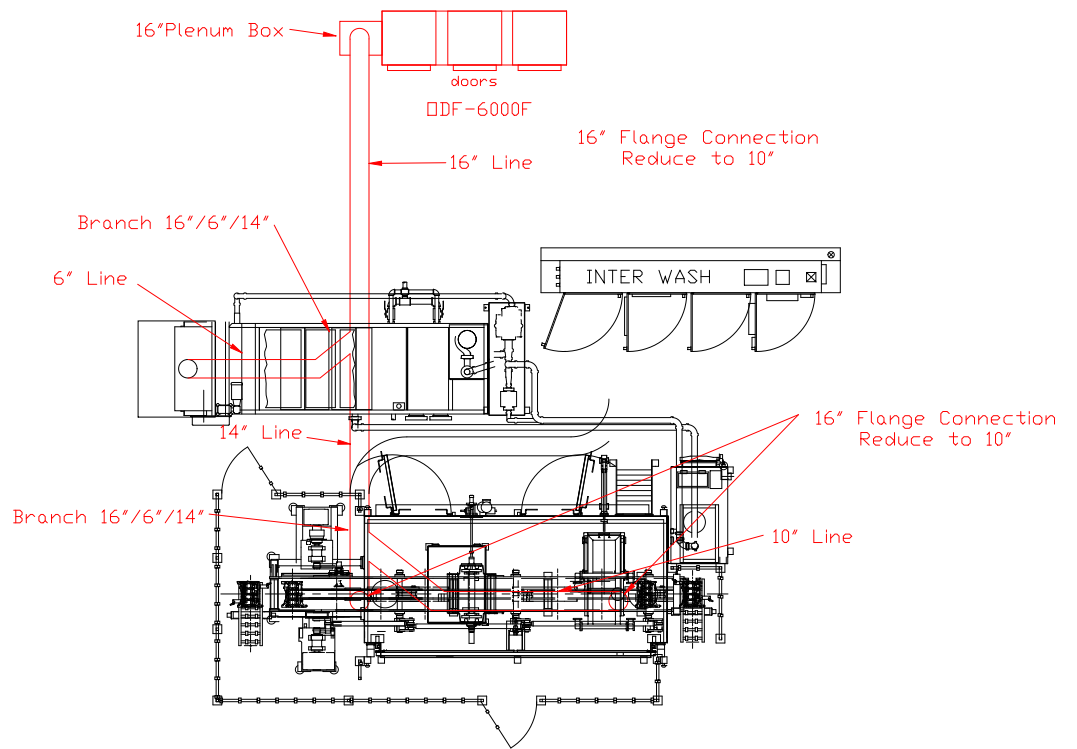


Plan View of Ductwork Layout
 Block Line - #7 - Intermediate Washer



Notes:

- A) Each drop will have a Butterfly damper for airflow adjustment.
- B) Each drop will have a Bleed in valve to allow for balancing.
- C) QDF 6000F has 3 - 3.5HP 460volt 3Phase motors. Full load amps are 4.6amps each.
- D) Drain line: P-Trap made of $\frac{3}{4}$ " Galvanized with ball valve and unions. IAQ to provide. Honda to provide piping to sump.

| | | |
|---|--|---------------|
| Industrial Air Quality | | IAQ |
| 95 CYPRESS DRIVE Youngsville, NC 27596 | | |
| P# 919-562-7181 F# 919-562-7182 | | |
| Project: Honda Canada | | |
| Drawing: Block #7 Inter Washer | | |
| Date: 03/26/08 | | Drawn by: WWB |
| Sheet No: | | |