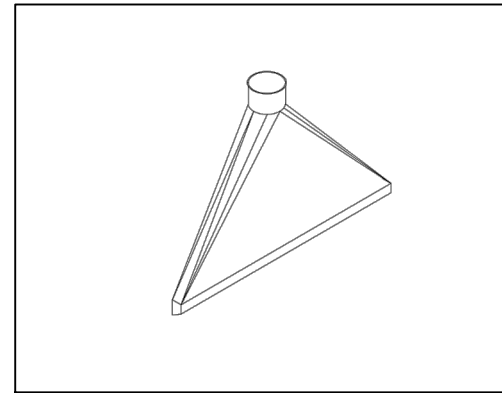
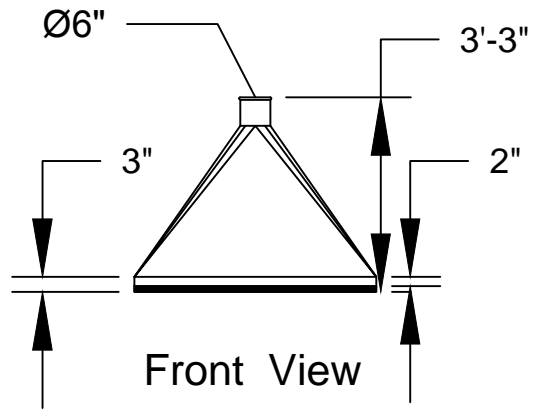


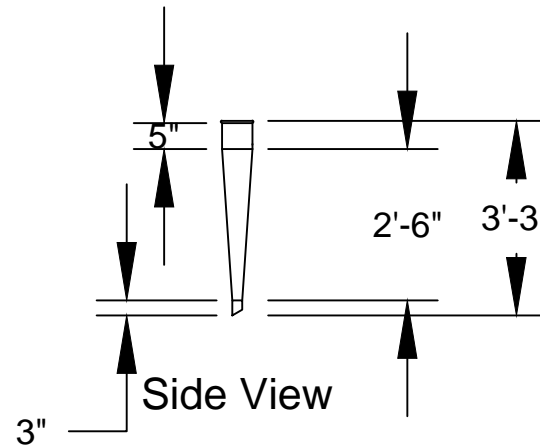
Top View



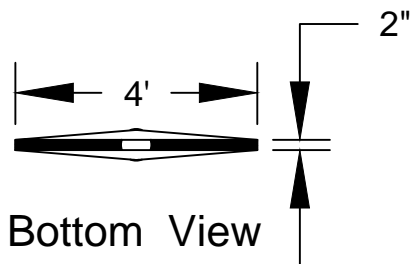
Isometric View



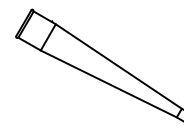
Front View



Side View



Bottom View



Install View

PRELIMINARY

This product has not been tested for seismic calculations.

Any Customer requested, or caused changes or deviations from the approved drawing that effect T&M will require a change order.

Avani Environmental Intl. Inc.
95 Cypress Drive
Youngsville, NC 27596
P# 919-570-2862 F# 919-570-2863

Avani

Project: Holsten Gases

Drawing: 73"x23" Hood

Date:

Drawn by: DJT

Sheet No:

Rev 0