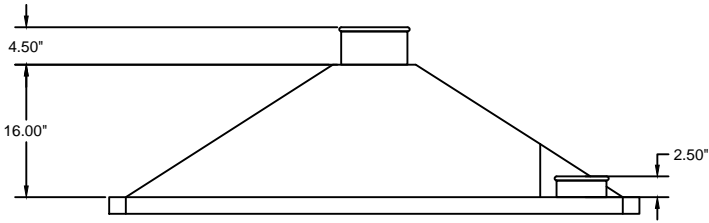
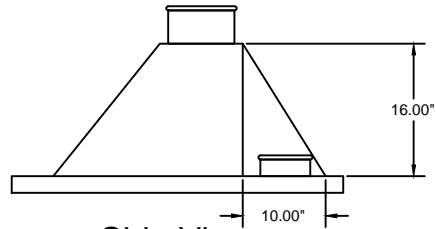


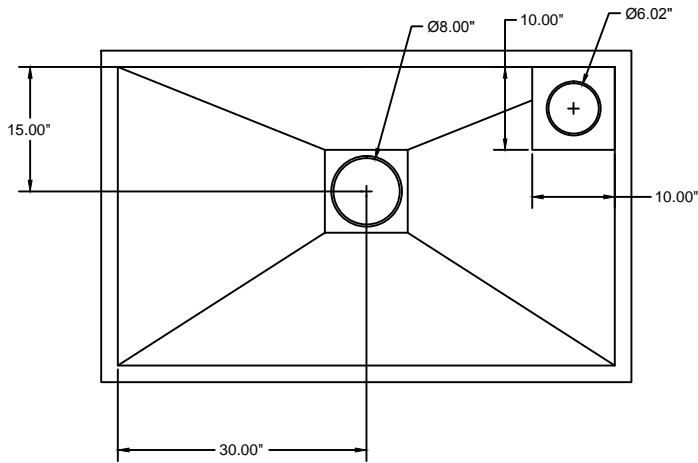
# Herbalife Fume Hood



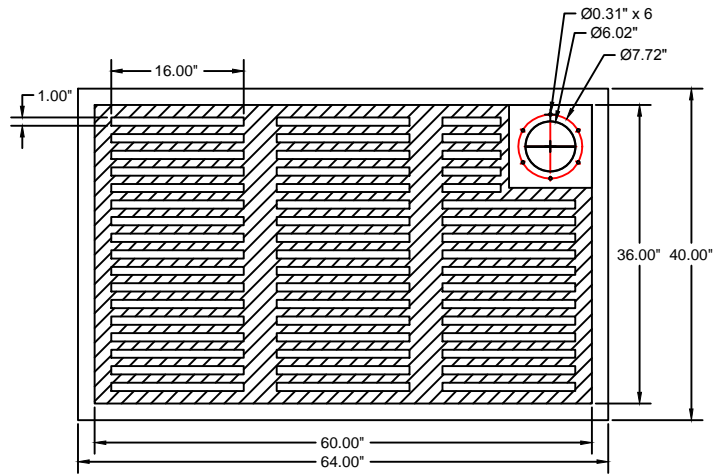
Front View



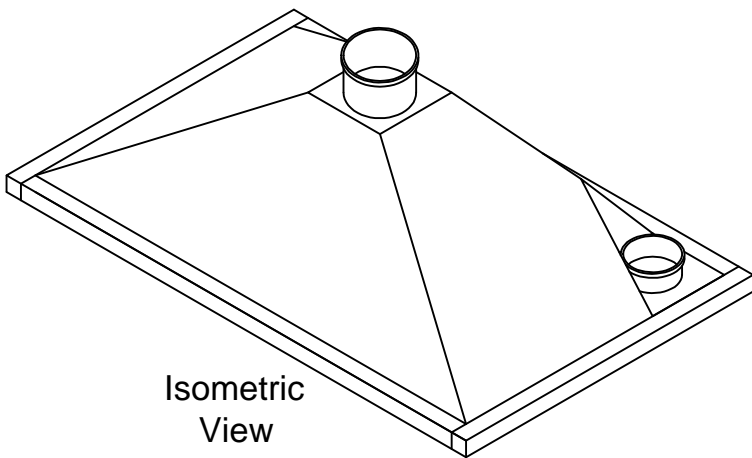
Side View



Top View



Bottom View



Isometric View

Avani Environmental Intl.  
95 Cypress Drive  
Youngsville, NC 27596  
P# 919-570-2862 F# 919-570-2863

**Avani**

Project: Herbalife	
Drawing: Hood with Fume Arm	
Date: 12/11/13	Drawn by: MDT
Sheet No: 1 of 1	Rev.: