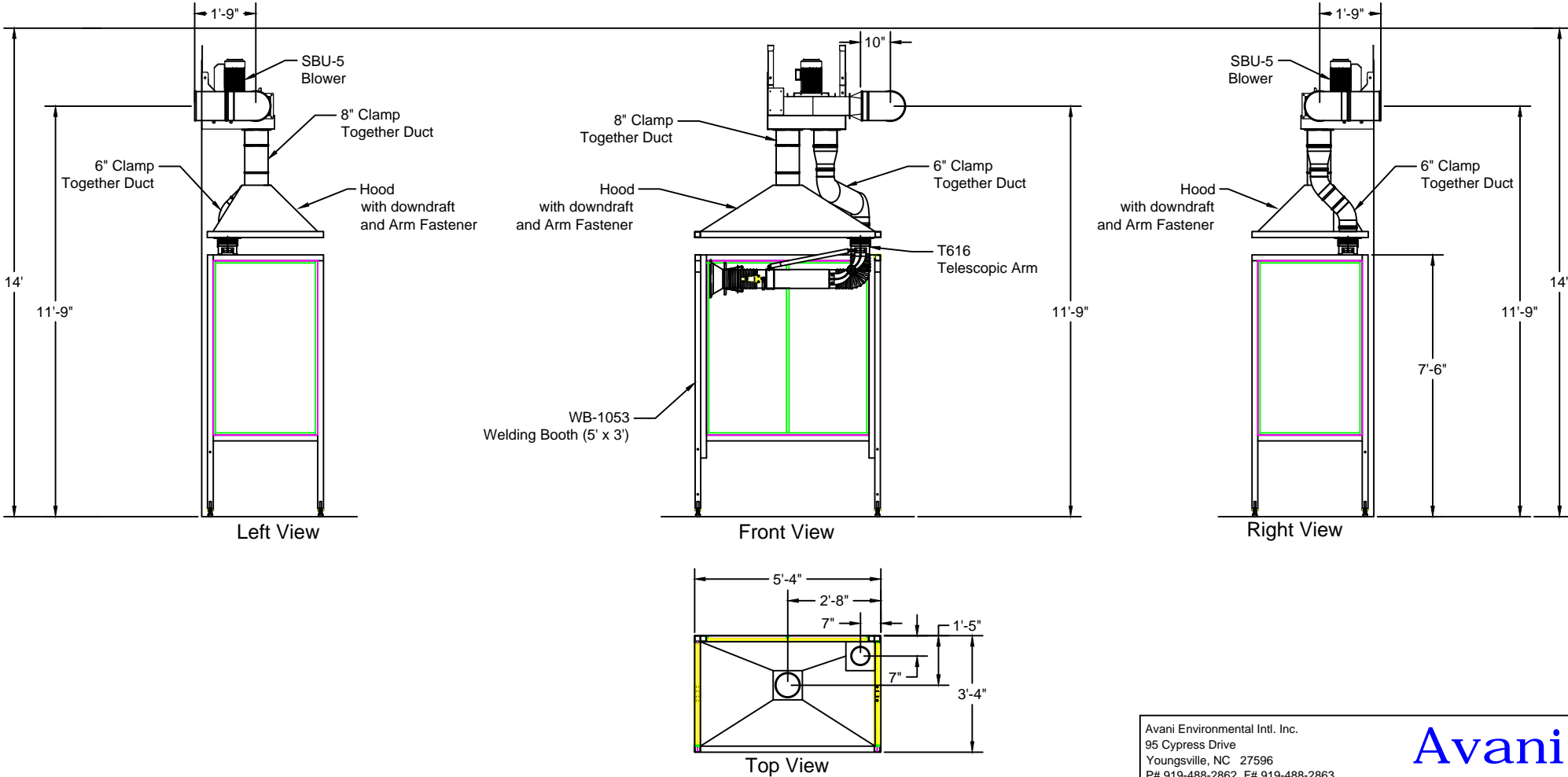


Herbalife Welding Booth with Telescopic Arm and Blower Preliminary Design



Avani Environmental Intl. Inc.
95 Cypress Drive
Youngsville, NC 27596
P# 919-488-2862 F# 919-488-2863

Avani

Project: Herbalife Weld Booth with Arm
Drawing: Preliminary Design

Date: 11/25/2013 | **Drawn by:** MDT

Sheet No: 1 OF 1