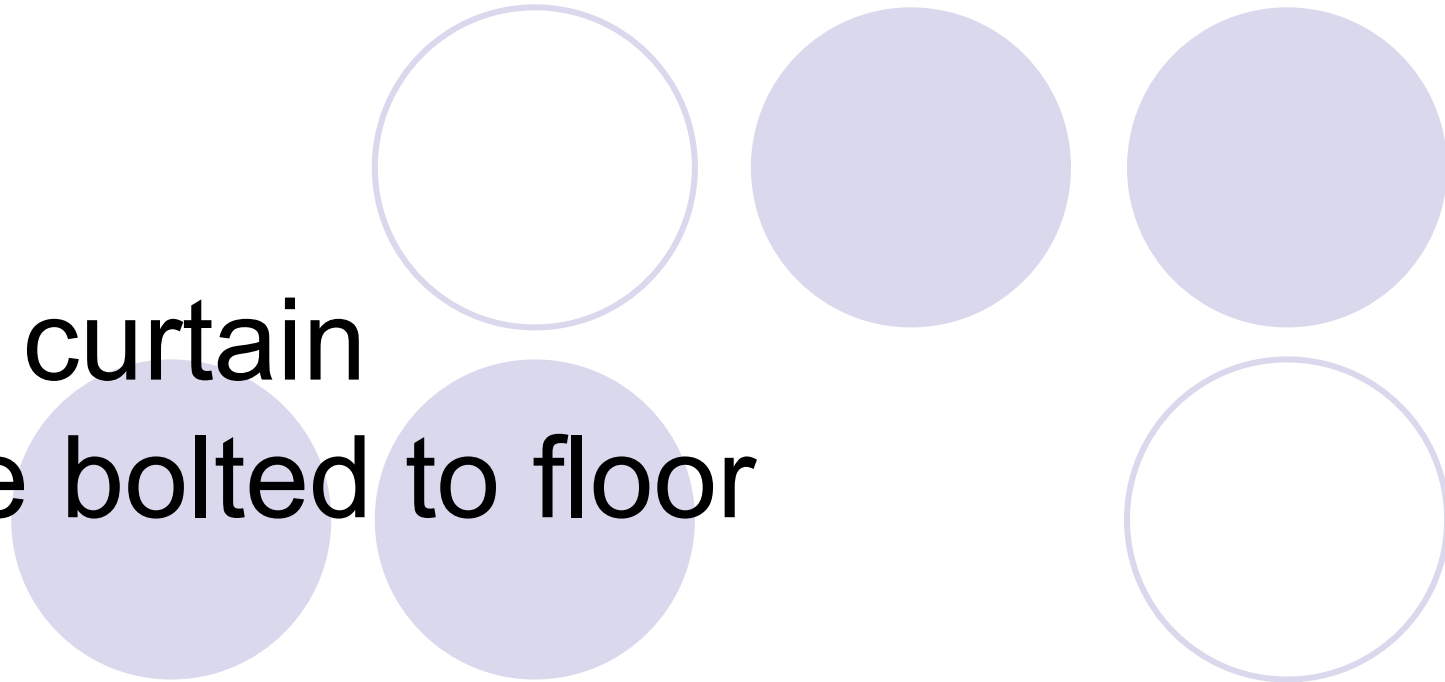


WB-5x5 insert bolted booth (top & backdraft module)

w/
side curtain
base bolted to floor



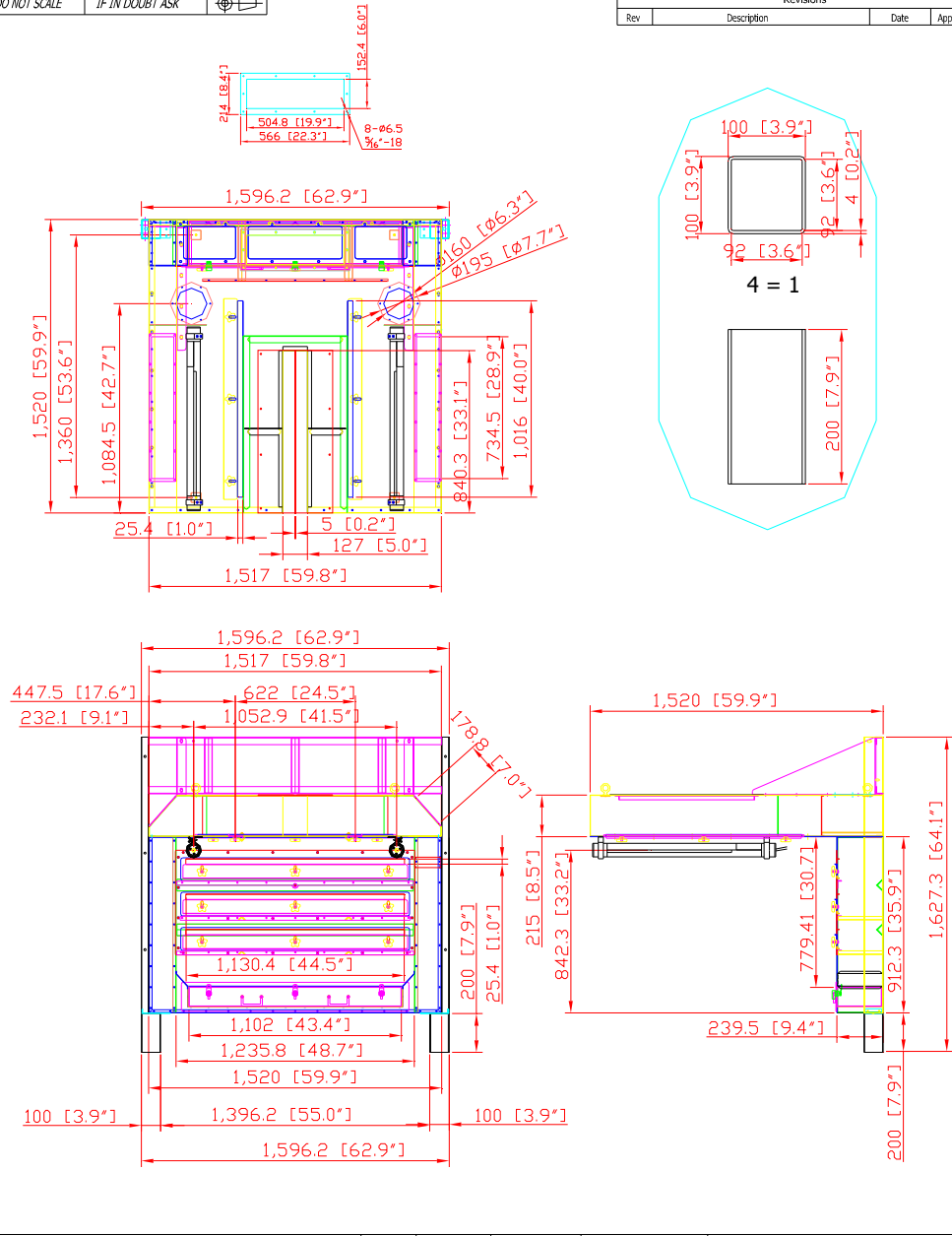
Hood Modification

<for Hennessy>

April 29, 2010

DO NOT SCALE IF IN DOUBT ASK

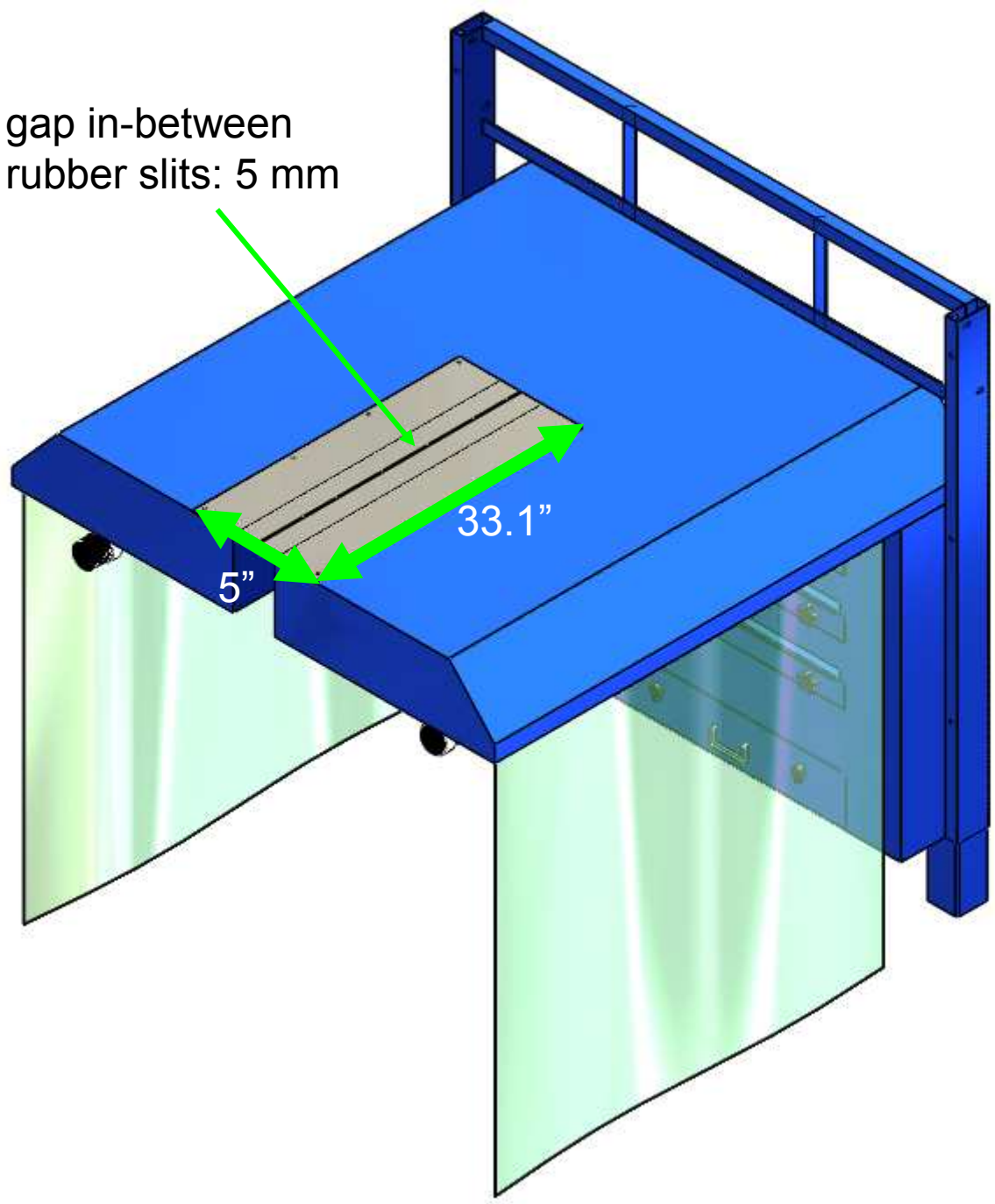
Revisions			
Rev	Description	Date	Approved



OSKAR ENVIRONMENTAL, INC. Sales Department
 95 Cypress Drive (919) 570-2862
 Youngsville, NC 27596 sales@oskarsales.com

Drawn by:	Date:	Name:	Part Number:	Title:
Checked by:	2010-04-29	XXXXX	Hennessy	WB-5x5IBB Hood Mod
This drawing is confidential and is the exclusive property of Oskar Environmental. No unauthorized use/copy or disclosure is to be made and it is returned whenever required.				Size: A Scale: 1 = 25 Drawing Number: WB-5-5-IBB

gap in-between
rubber slits: 5 mm



5"

33.1"

