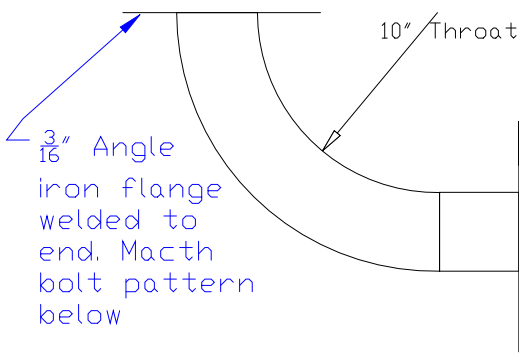


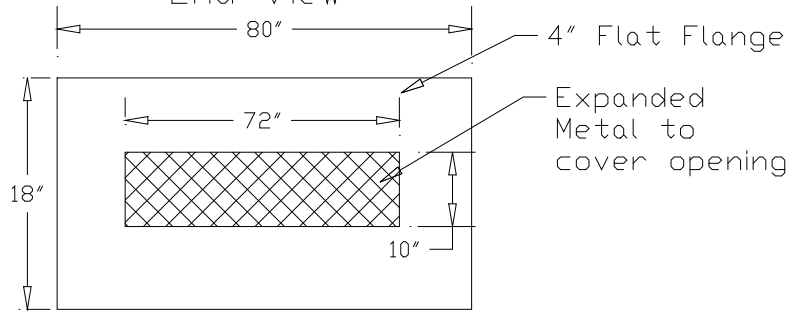
Custom 90 Deg Square Elbow

Material:
18 GA galv

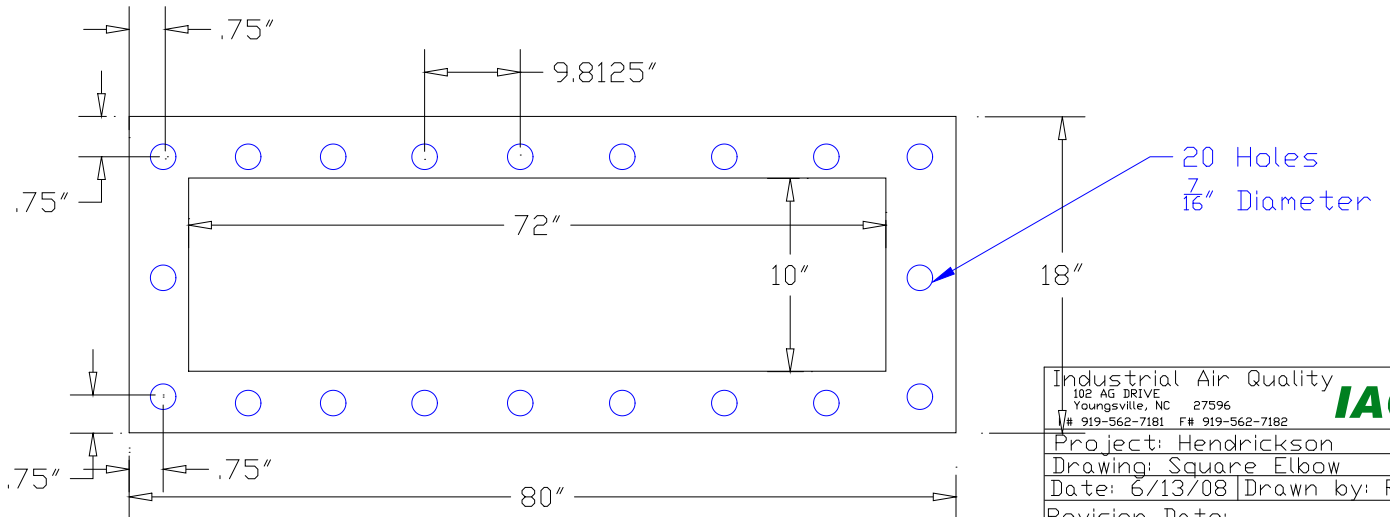
Side View



End View



End View of Bolt Pattern



Industrial Air Quality		IAQ
102 AG DRIVE		
Youngsville, NC 27596		
V# 919-562-7181 F# 919-562-7182		
Project: Hendrickson		
Drawing: Square Elbow		
Date: 6/13/08		Drawn by: RAV
Revision Date:		