



Date: July 07, 2011

To: Utica Alloys

Project:

Attn:

Recommended Equipment:

(1) Custom Table 30" height: 8'W x 4'D x 30"H

(2) Custom Table 36" height: 8'W x 4'D x 36"H

(1) SDC-25-24MD Cartridge Collector Drawer Type

- 10,000CFM @ 8" SP

- normal 52"L polyester cartridges

Avani Environmental Intl. Inc.

95 Cypress Drive

Youngsville, NC 27596

www.avanienvironmental.com

Phone: (919) 570-2862

Fax: (919) 570-2863

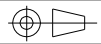
Email: info@avanienvironmental.com

www.weldingbooths.com

The drawings, AutoCAD, 3-D Models, and specifications are the property of Avani Environmental Intl. Inc. (AE) and may not be reproduced, distributed, modified, or otherwise used, except provided herein, without the express written permission of AE.

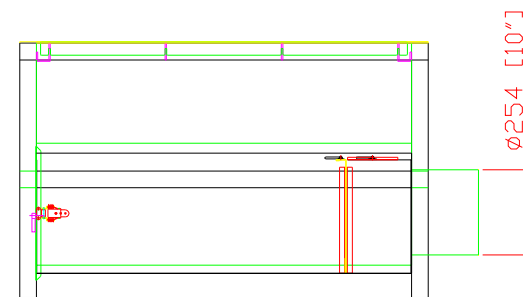
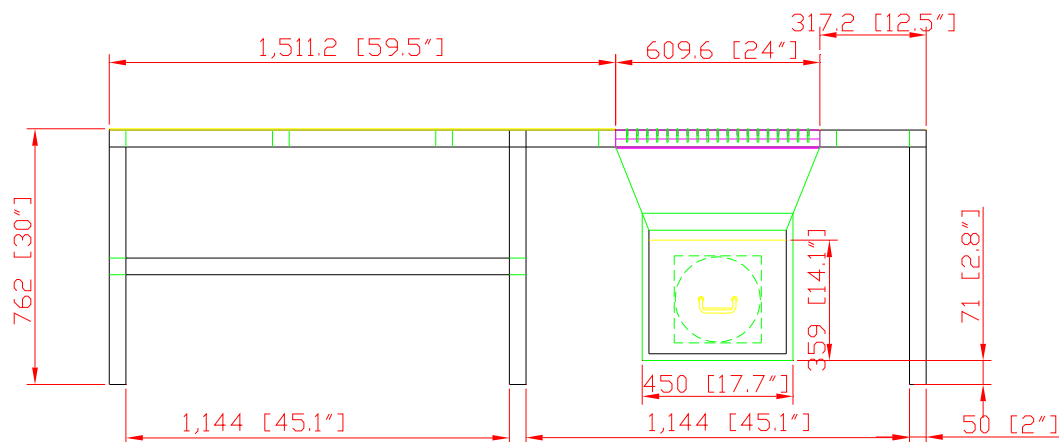
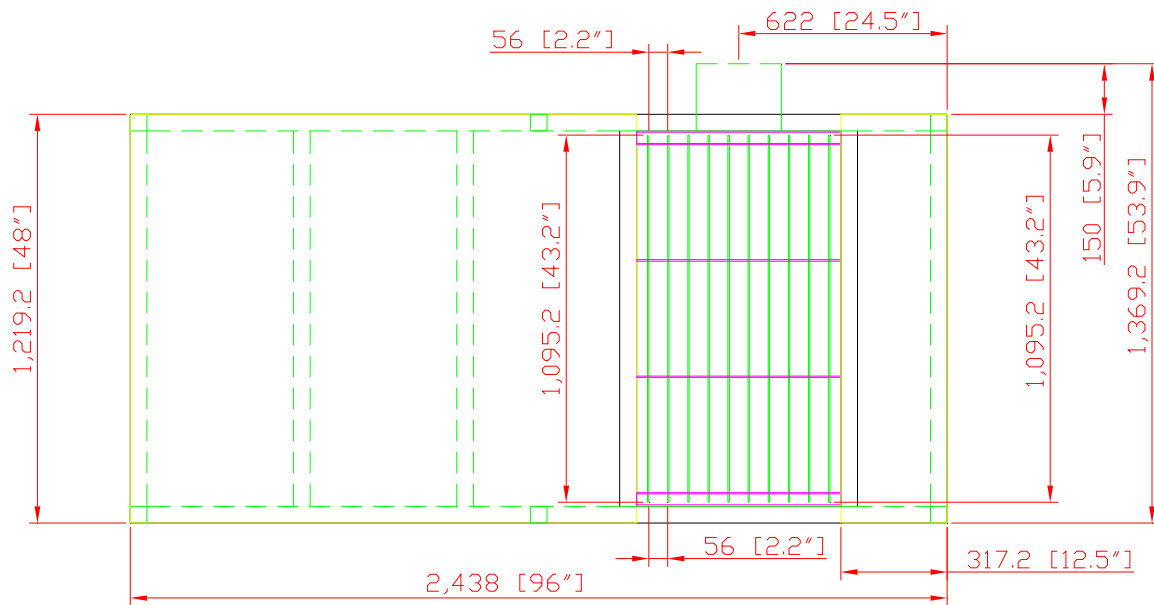
DO NOT SCALE

IF IN DOUBT ASK



Revisions

Rev	Description	Date	Approved
-----	-------------	------	----------



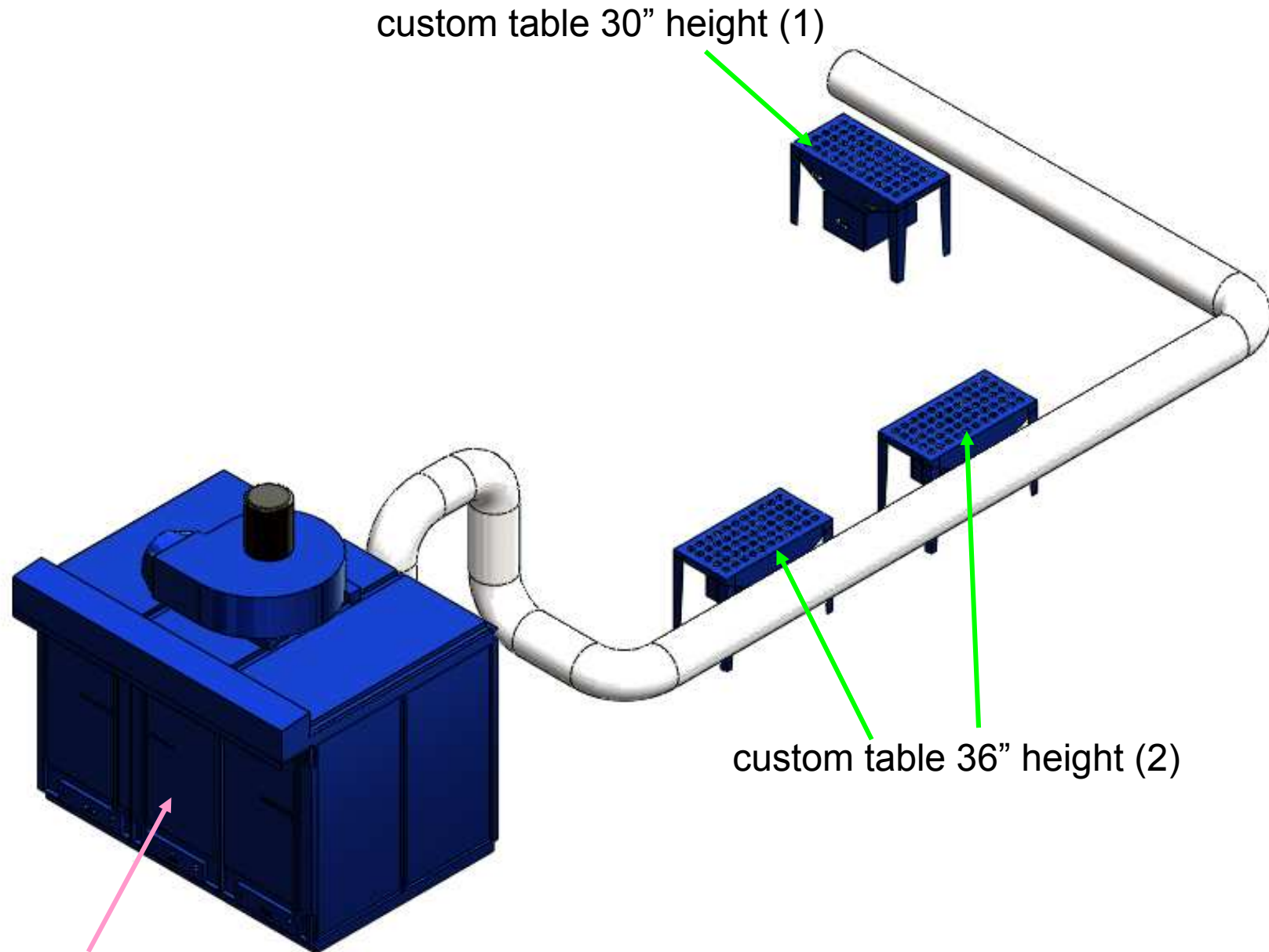
AVANI ENVIRONMENTAL INTL. INC. Sales Department
 95 Cypress Drive (919) 570-2862
 Youngsville, NC 27596 info@avanienvironmental.com

Date	Name	Part Number:
2011-07-06	***	**
Checked by:		

The drawings, AutoCAD, 3-D Models, and specifications are the property of Avani Environmental Intl. Inc. (AE) and may not be reproduced, distributed, modified, or otherwise used, except provided herein, without the express written permission of AE.

Title:
downdraft table: 8'W x 4'D

Size	Scale	Drawing Number:
A	1 = 20	***



custom table 30" height (1)

custom table 36" height (2)

SDC-25-24MD (10,000CFM @ 8"SP)

(1) 25HP top mounted fans on (1) large 24 cartridges collector (drawer type, inside install)

