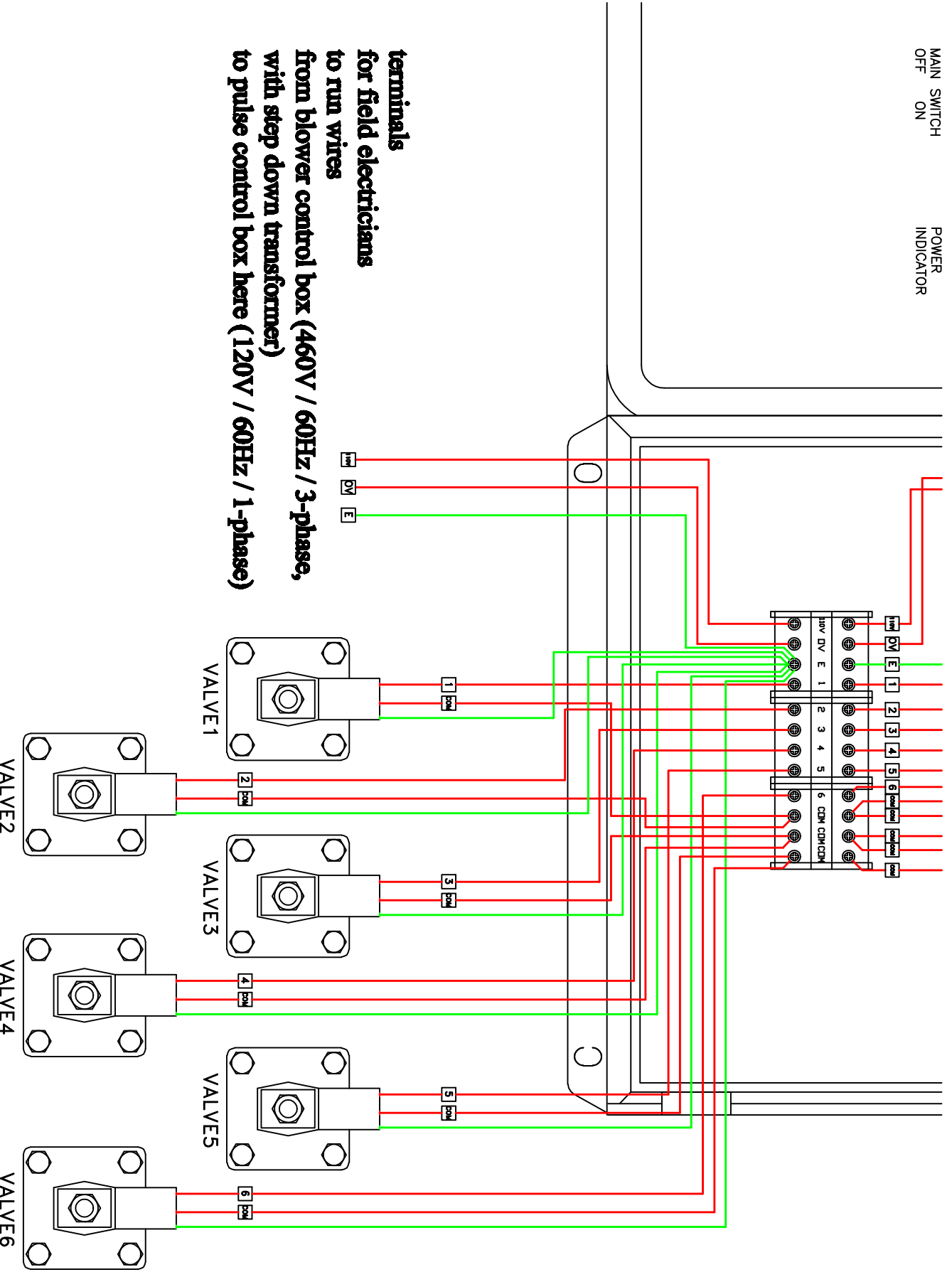


MAIN SWITCH
OFF ON
POWER
INDICATOR



**terminals
for field electricians
to run wires
from blower control box (460V / 60Hz / 3-phase,
with step down transformer)
to pulse control box here (120V / 60Hz / 1-phase)**

VALVE1

VALVE2

VALVE3

VALVE4

VALVE5

VALVE6