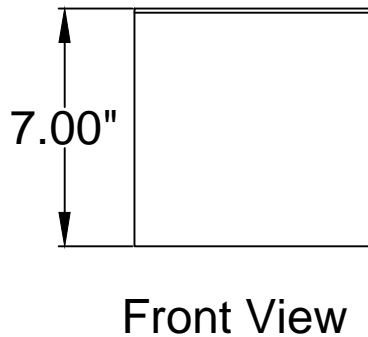
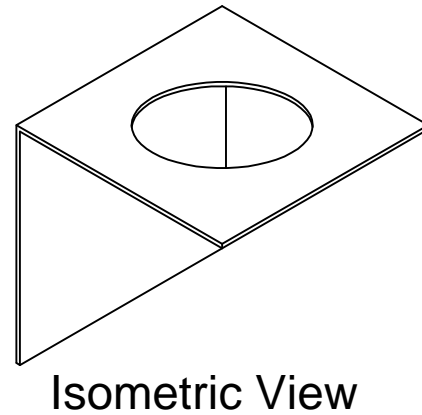
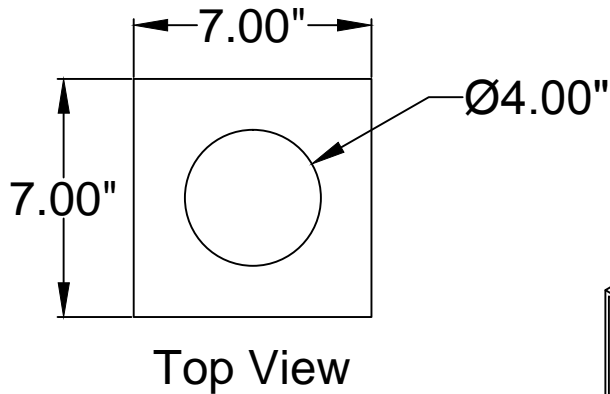


4" Tube Mounting Bracket



Notes:

1. Will connect to side of machine
2. Will connect to 4" Connecting Flanges

Avani Environmental Intl.
95 Cypress Drive
Youngsville, NC 27596
P# 919-570-2862 F# 919-570-2863

Avani

Project: Hastings Machine Company

Drawing: Mounting Bracket

Date: 12/28/12

Drawn by:MDT

Sheet No: 1 Of 1

Rev.: 0