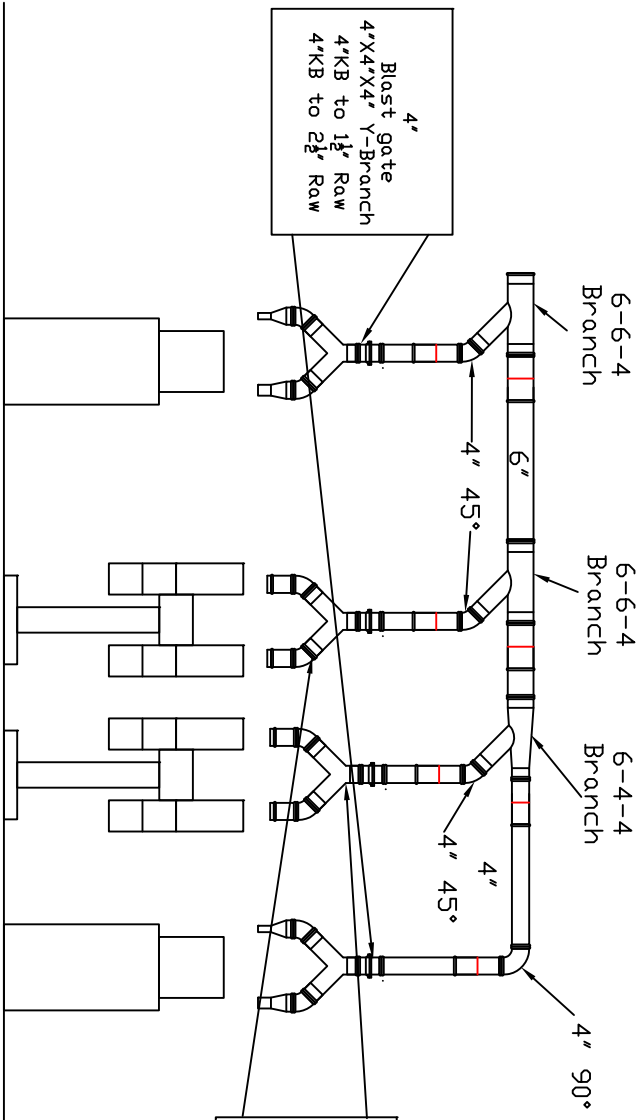


Hastings Grinding Room SDC-ECC-3000

Section "C-C"



Avani Environmental Intl.
 95 Cypress Drive 27596
 Youngsville, NC
 Ph # 919-570-2862 F# 919-570-2863



Project: Hastings - SDC-ECC-3000
 Drawing: Section "B-B"
 Date: 3/11/13 Drawn by: WWB
 Sheet No: 4 of 4 Rev.: 0

SD: 19548