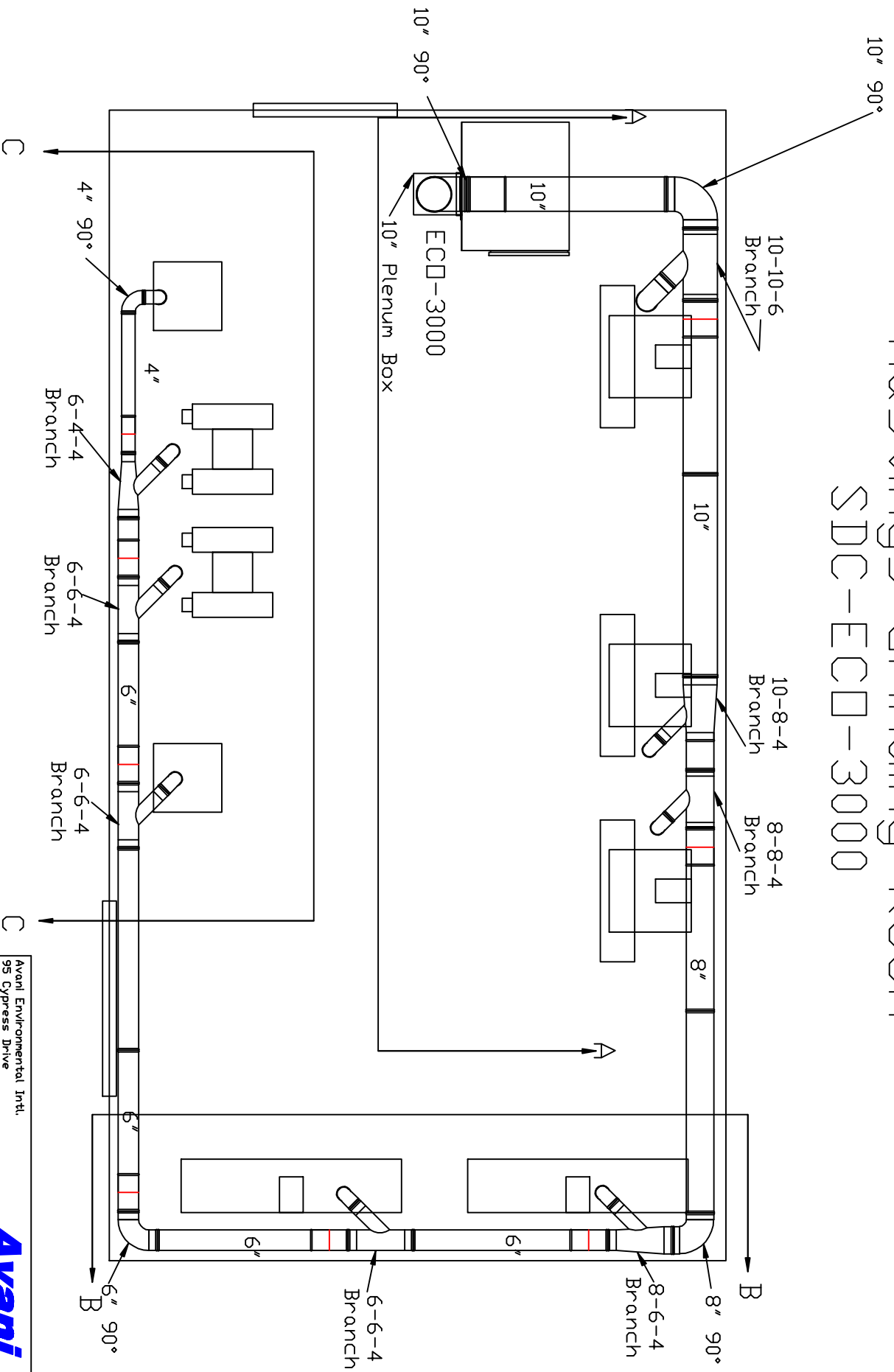


Hastings Grinding Room SDC-ECD-3000



SD: 19548

Avani Environmental, Inc.
 95 Cypress Drive
 Youngsville, NC 27596
 PH 919-570-2862 F# 919-570-2863

Avani

Project: Hastings - SDC-ECD-3000
 Drawing: Grinding Room System
 Date: 3/7/13 Drawn by: WWB
 Sheet No: 1 of 4 Rev: 0